

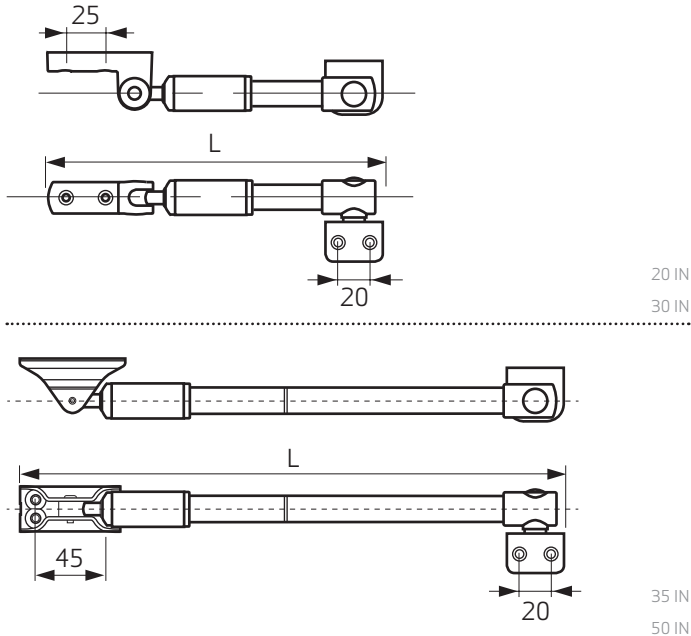

**AXA** HOME SECURITY

**EN**

# Telescopic stay 20/30/35/50 IN

## Information

You have just acquired a high quality AXA product. The instructions below must be followed closely in order to effectively install and operate this product.



Type	Max. width of casement window	Maximum door width	Minimum/Maximum product length L
20 IN	400 mm	n/a	222 mm / 286 mm
30 IN	600 mm	n/a	331 mm / 456 mm
35 IN	800 mm	800 mm	358 mm / 516 mm
50 IN	1200 mm	1200 mm	500 mm / 751 mm

### Application

Inward opening doors and windows.

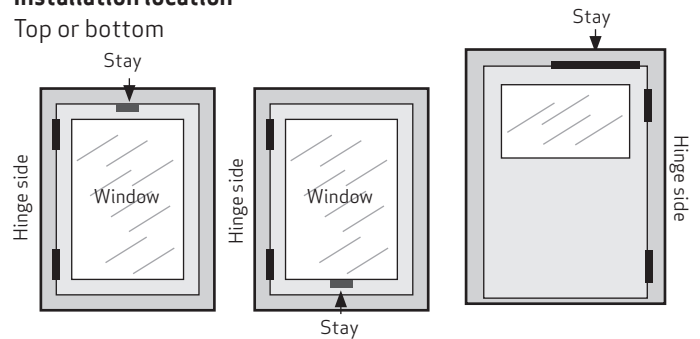
### Installation tools (recommended):

Tape measure, (battery) drill or screw machine, screw driver, Ø 2 mm drill bit, pencil or awl.

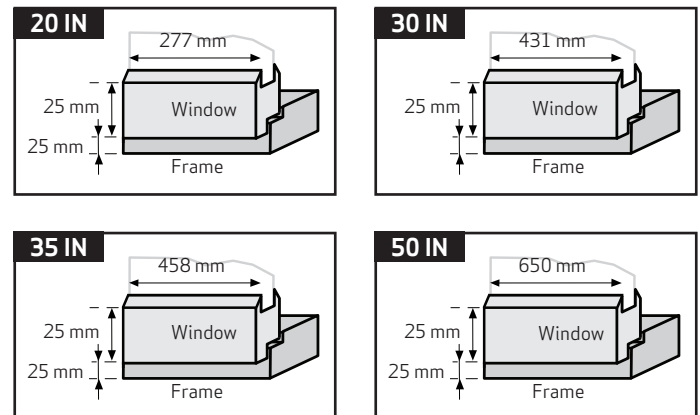
Recommended screws: 2 pieces 4.0 x 30 mm and 2 pieces 4.0 x 40 mm.

### Installation location

Top or bottom



### Minimum installation space required



## User manual

### Opening

Unlock and open the window (to a maximum of nearly 90°) Set the braking resistance of the telescopic window stay once to the correct braking resistance. Turning the rotating knob ③ to the right will increase the braking resistance. Turning it to the left will reduce the braking resistance.

### Close

Push the window shut. You will feel some resistance, but you can push against it. You don't need to loosen the telescopic window stay. Lock the window.



# Telescopic stay 20/30/35/50 IN

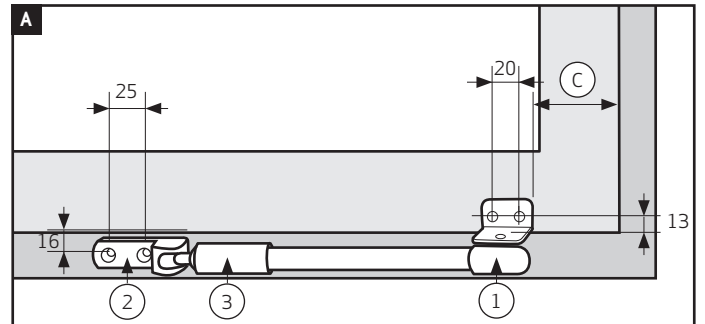
## Installation manual

The instructions below must be followed closely in order to effectively operate this product.

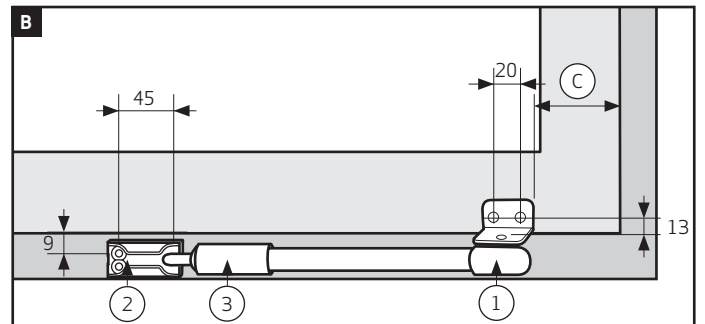
- 1 Keep the window shut during installation.
- 2 Place the window casing corner ① at least at a distance of (C) from the casement corner on the hinge side (figures A and B). Ensure that the stay is horizontal and parallel to the frame.
- 3 Prick the screw holes on the window casing corner.
- 4 Then screw the stay to the window with two 4.0 x 40 mm screws (pre-drill  $\varnothing$  2 mm).
- 5 Now push the telescopic stay fully in and place the window casing plate ② on the frame (figure A for 20 IN and 30 IN, figure B for 35 IN and 50 IN).
- 6 Prick the screw holes on the window casing plate.
- 7 Then screw the stay to the window with two or four 4.0 x 40 mm screws (pre-drill  $\varnothing$  2 mm).
- 8 Set the brake once to the correct braking resistance ③.



**Don't leave the window open with high winds.**



Assembly holes (in mm) apply for left, right, top and bottom.  
Note the hinge side.



Type	C in mm	Number of screws in window casing corner	Number of screws in window casing plate
20 IN	55	2	2
30 IN	100	2	2
35 IN	100	2	4
50 IN	150	2	4