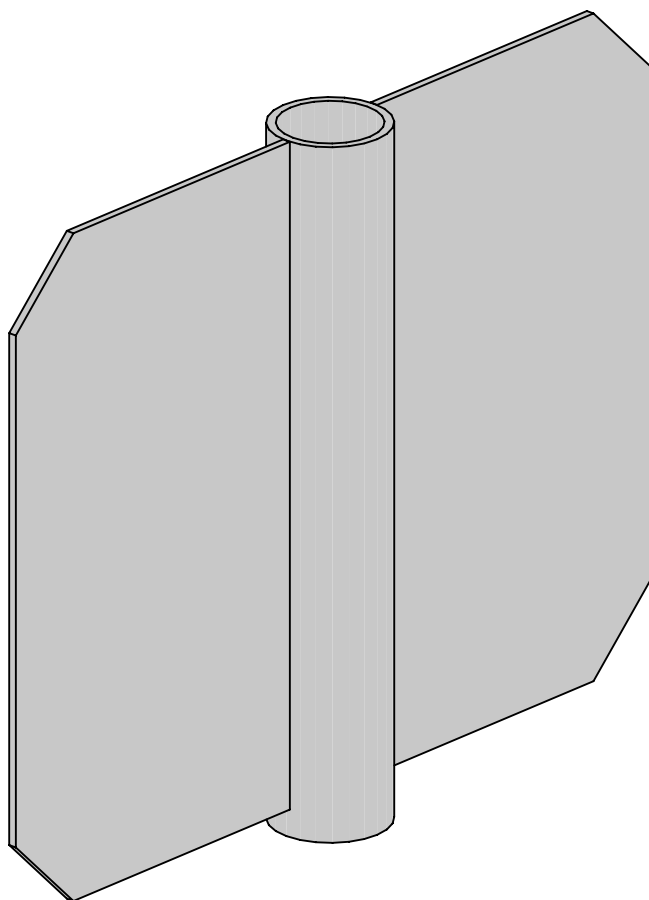
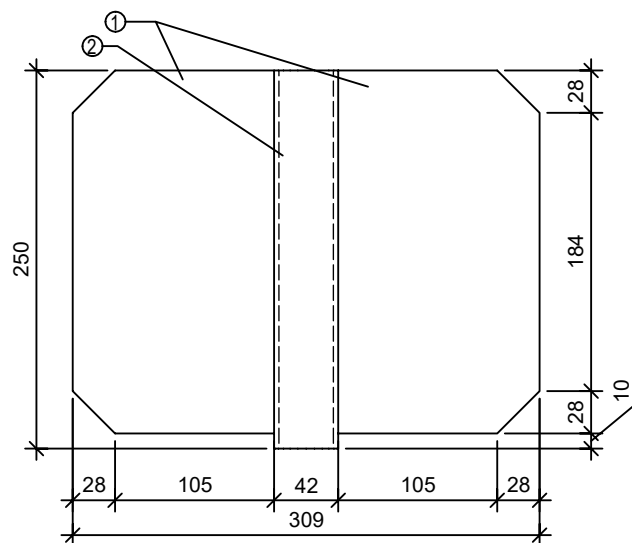


Top soil stiffener TW M20

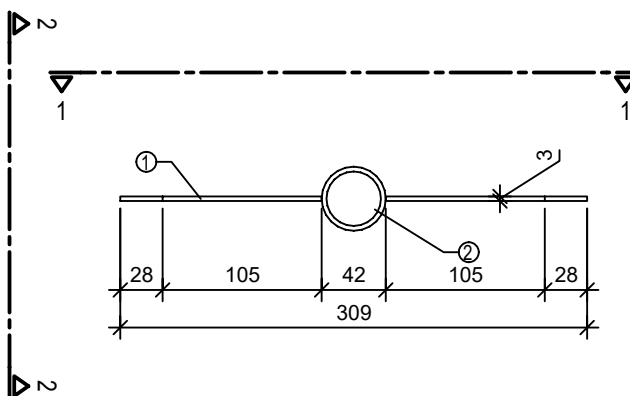
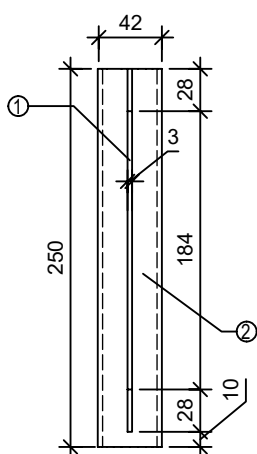
3D view



1 - 1



2 - 2



GROUND PLUG®

Finish HDG acc. to ISO EN 1461		Material/Steel grade S235		Sub-grade		Tolerances acc. to: PN-EN ISO 9013:2008 PN-EN ISO 13920:2000 EXC2	
Design	www.groundplug.com	Signature	Date	2018-10-17		Scale: 1:5	
Draw	Name			Format: A4	Rev:	Change/Date:	
Check							
Confirm							
Product: Top soil stiffener				File name: prod. draw.		Sheet:	
Object name: TW M20				Number of drawing: 4		Projection: 	

- ① PI. 133x240x3
- ② CHS 42,4x3,2