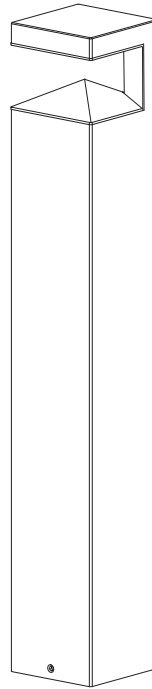
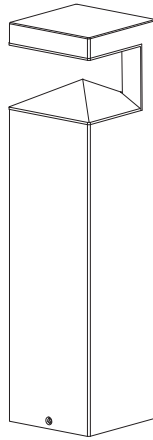
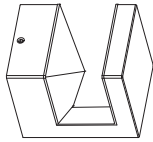
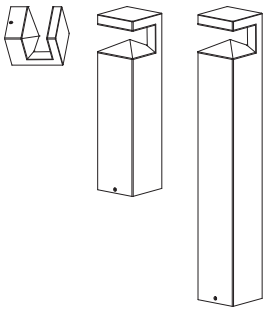

ENDURA® STYLE



	EAN	W	lm	K	Temp ^{amb} (°C)	V~	mA	Hz	PF
ENDURA STYLE PYRAMID WALL 9W ST	4058075477896	9	600	3000	-20...+40	220-240	50	50/60	>0.5
ENDURA STYLE PYRAMID 50CM 9W ST	4058075477919	9	600	3000	-20...+40	220-240	50	50/60	>0.5
ENDURA STYLE PYRAMID 80CM 9W ST	4058075477933	9	600	3000	-20...+40	220-240	50	50/60	>0.5



1x



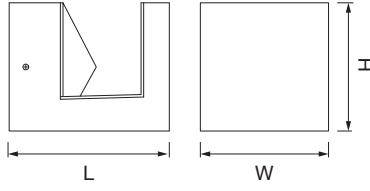
650 g
4058075477896

1800 g
4058075477919

2900 g
4058075477933


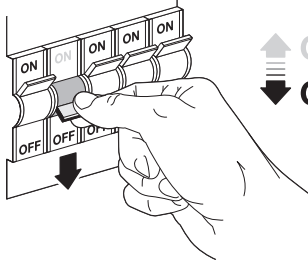
3x  3x 

mm



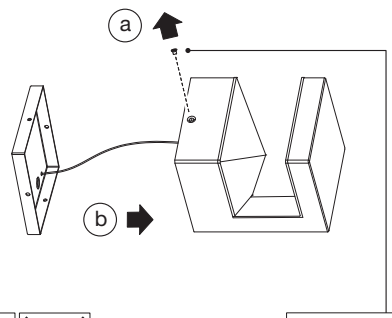

	L	W	H
PYRAMID WALL 9W ST	125	100	100
PYRAMID 50CM 9W ST	500	100	100
PYRAMID 80CM 9W ST	800	100	100

1

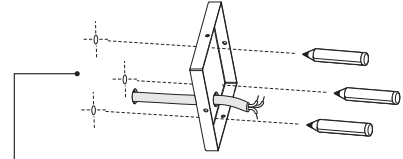




ON
OFF

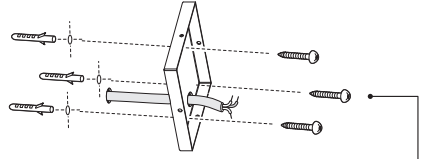
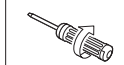
2

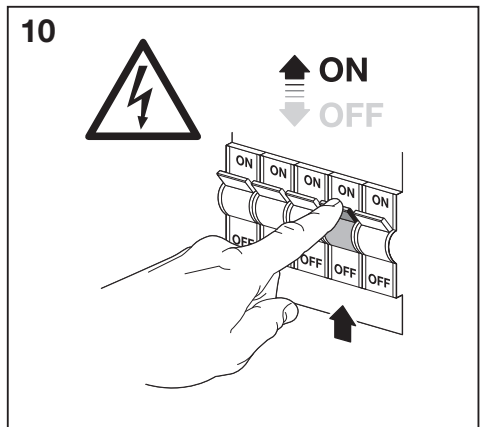
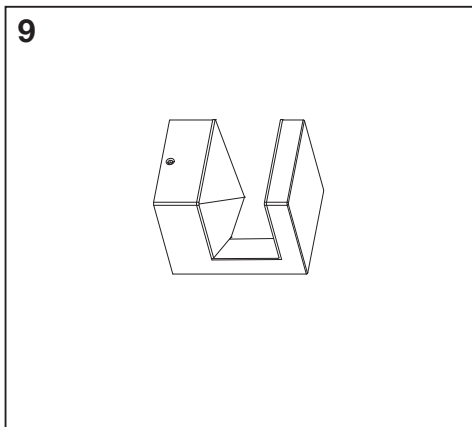
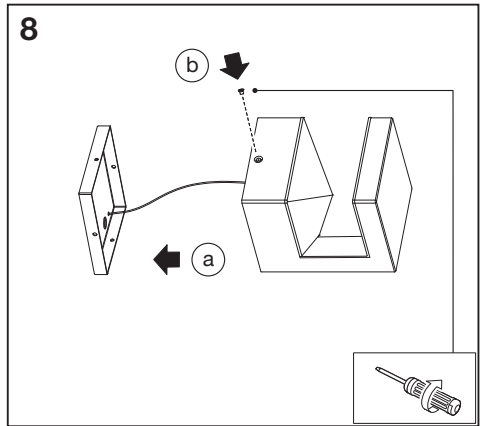
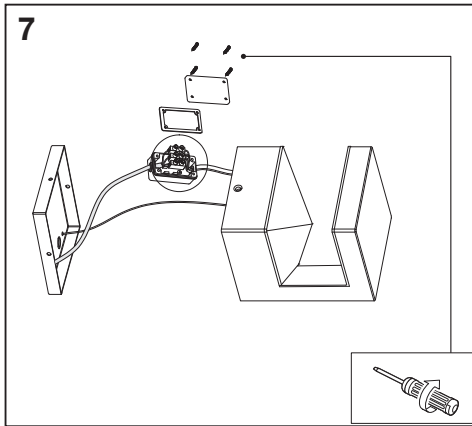
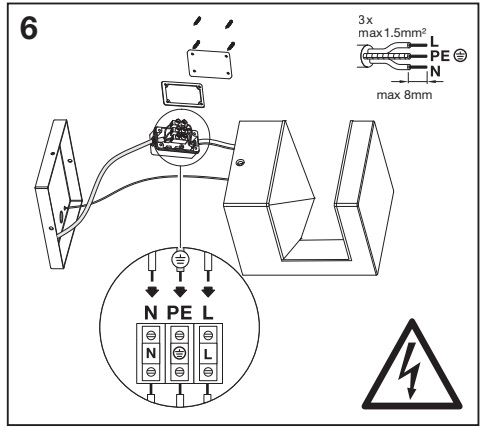
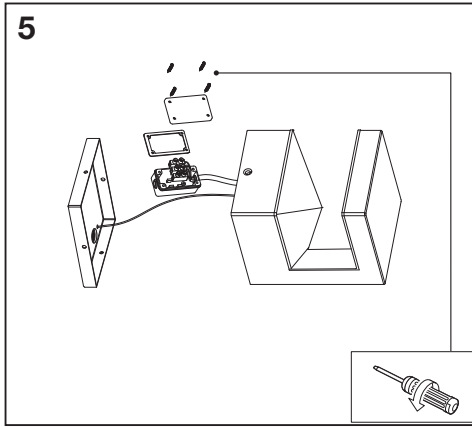



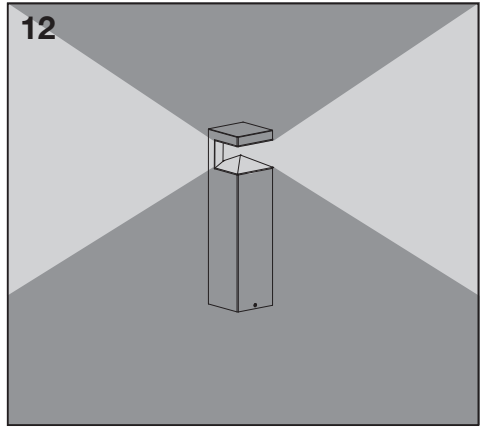
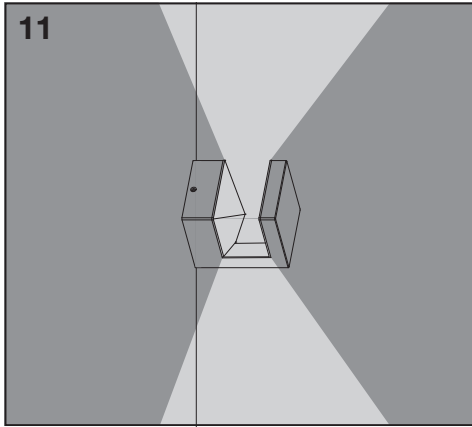
3







4





	EAN	This product contains a light source of energy efficiency class	Contained Light Source
ENDURA STYLE PYRAMID WALL 9W ST	4058075477896	E	
ENDURA STYLE PYRAMID 50CM 9W ST	4058075477919	E	
ENDURA STYLE PYRAMID 80CM 9W ST	4058075477933	E	



C10449057
G11128787
04.10.2021



LEDVANCE GmbH
Steinerne Furt 62
86167 Augsburg, Germany
www.ledvance.com