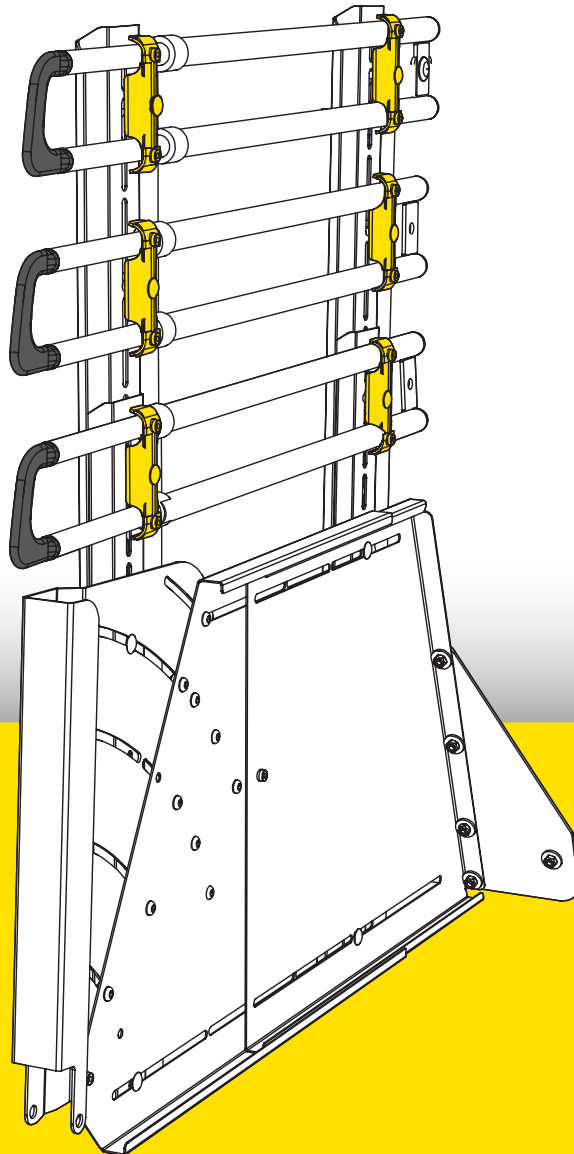


mimSAFE

www.mimsafe.com



ASSEMBLY INSTRUCTIONS

VARIODIVIDER



IMPORTANT

GENERAL

VarioDivider separates the cargo in your luggage compartment. VarioDivider is intended for use in combination with VarioGate and **cannot be used as stand-alone**. Thanks to its robust and controllable design, the load is secured for lateral movement. VarioDivider is designed to withstand load and pressure from the sides. In the event of a collision, VarioGate is compressed longitudinally, thus effectively neutralizing the resulting forces. VarioDivider is made of galvanized steel painted with a very weather-resistant polyurethane paint suitable for its use. The product comes with straps for quick fastening and installation in the vehicle.

BEFORE YOU BEGIN

Ensure that you work on a flat surface. If the VarioDivider is assembled indoors, protect the floor with a blanket or carpet to avoid damage during assembly. Read the instruction carefully before you begin, it gives you a better understanding when you work step by step during the assembly. You can assemble the VarioDivider by yourself, but it helps a lot to be two during some of the assembly steps.

RECOMMENDED AREA OF USE

The VarioDivider must be installed together with a VarioGate single or double in the luggage compartment of the car.

DAILY INSPECTION

- Make sure the VarioDivider is intact
- That there's no sharp edges

CLEANING

Use a soft cloth with water and mild soap.

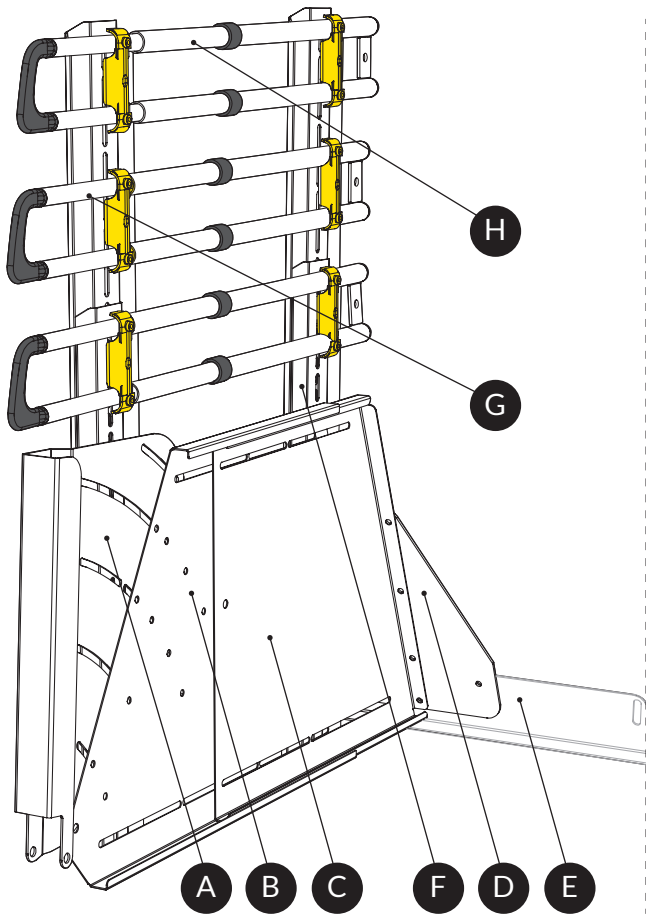
The story of MIMsafe

For more than 30 years, MIMsafe has worked with functional design and manufacturing of safety products for the modern automotive industry. With documentation from hundreds of crash tests and in close collaboration with the major car manufacturers, safe products have been developed and transformed into knowledge. Under the well-known brand name MIMsafe, we have become the leading manufacturer of crash tested and crush proofed non-whiplash dog cages all over the world.

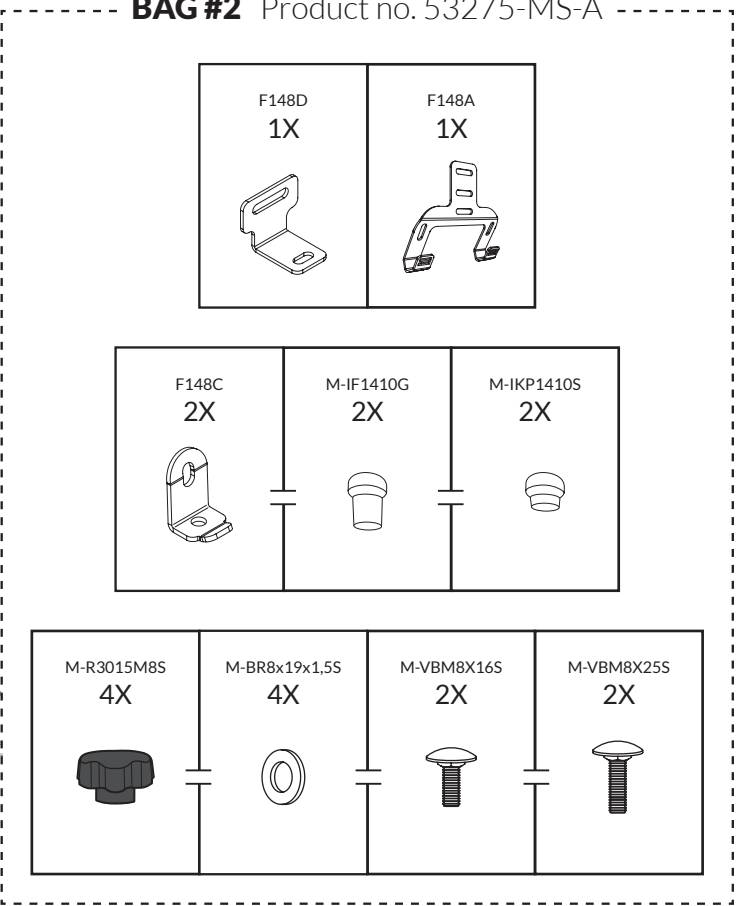
MANUFACTURER

MIM Construction AB
Myren 125
SE-462 94 Frändefors
Sweden

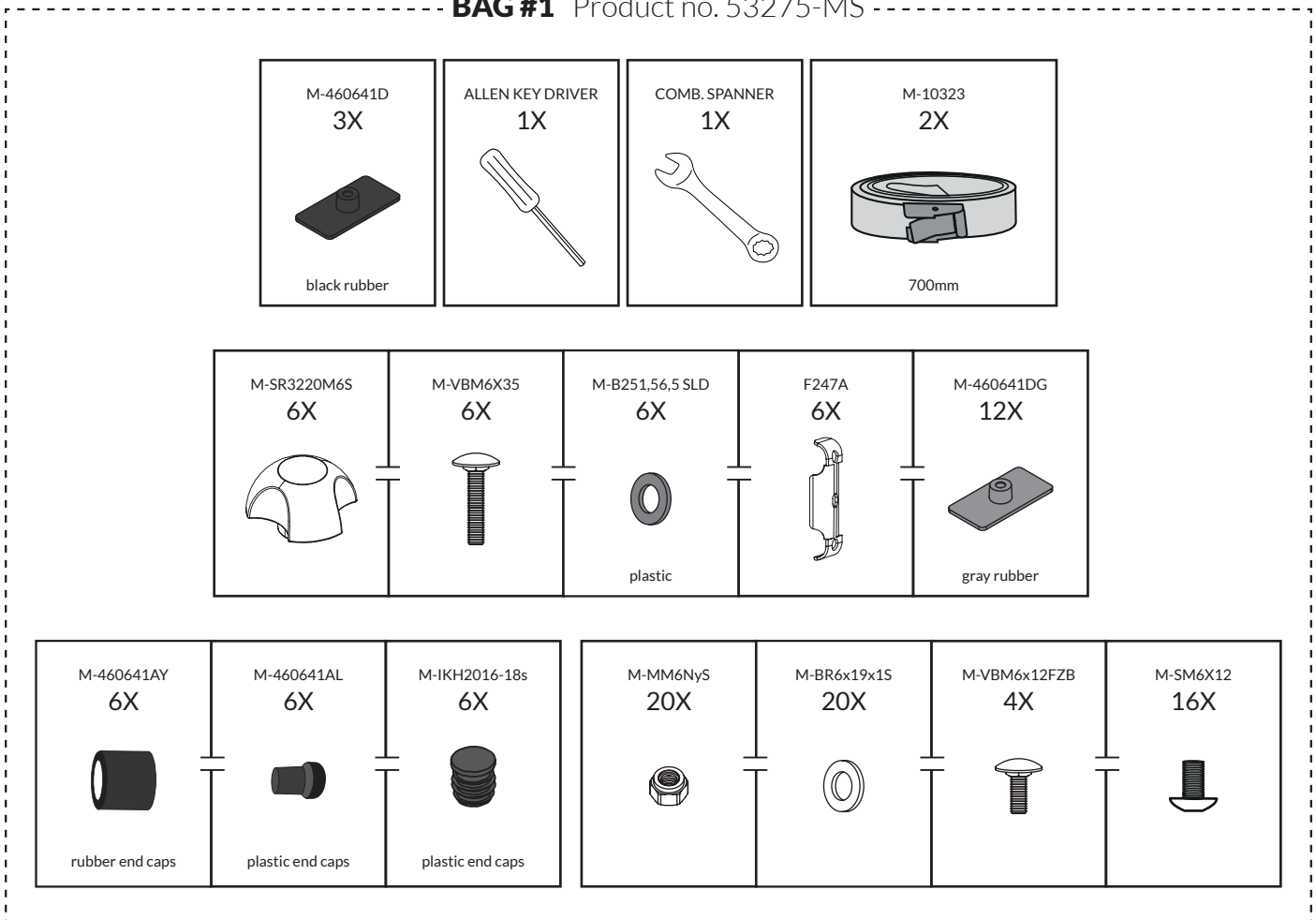
+46 10 55 00 450
info@mim.se
www.mimsafe.com

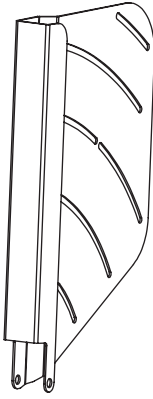


BAG #2 Product no. 53275-MS-A



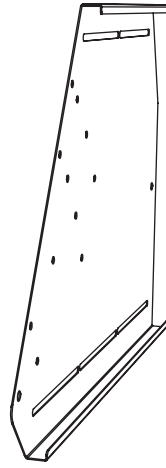
BAG #1 Product no. 53275-MS





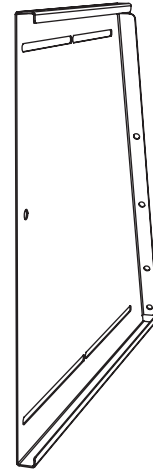
A Rear support

Art.no F357	
53275 53285	1X
Product no	No of items



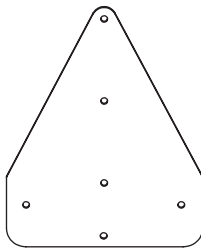
B Rear

53275	F359C	1
53285	F359D	1
Product no	Art. no	No of items



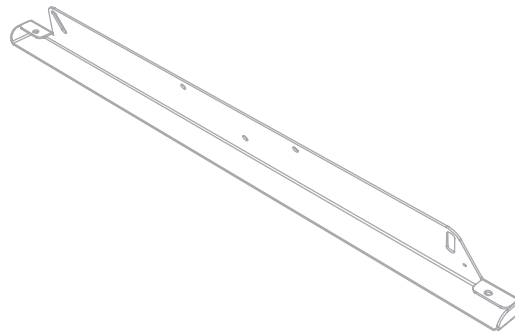
C Front

53275	F359A	1
53285	F359E	1
Product no	Art. no	No of items



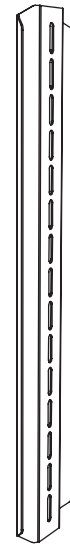
D Front support

Art.no F606	
53275 53285	1X
Product no	No of items



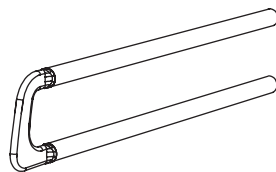
E Front floor plate

Art.no F530	
Article already included in your chosen VarioGate model.	



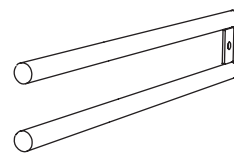
F Rail

Art.no F358	
53275 53285	4X
Product no	No of items



G Adjustable bracket

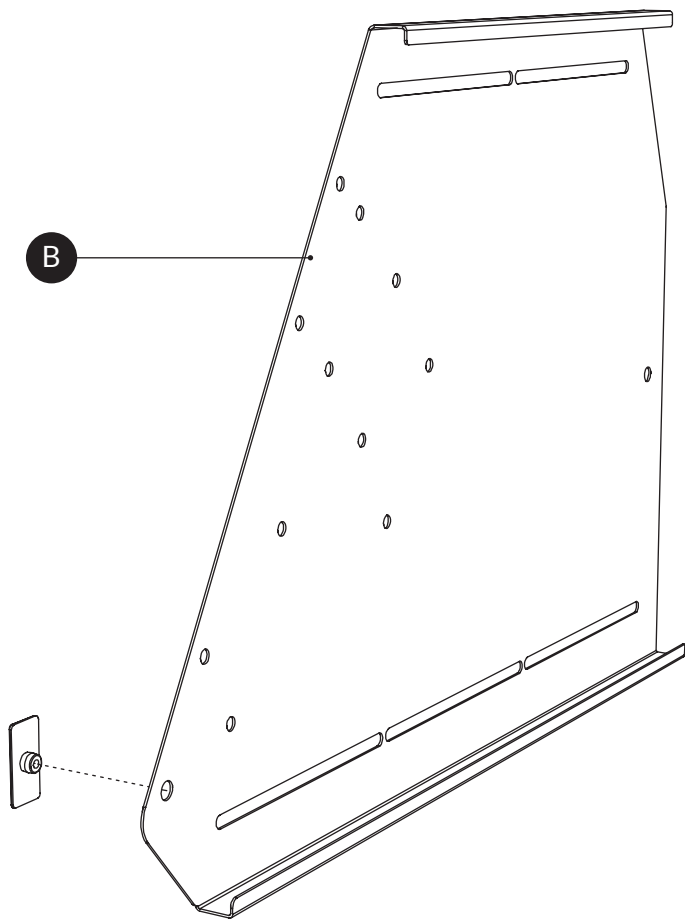
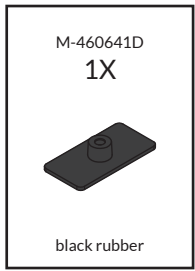
53275	F521	3
53285	F521A	3
Product no	Art. no	No of items



H Bracket


Art.no FS222A	
53275 53285	3X
Product no	No of items

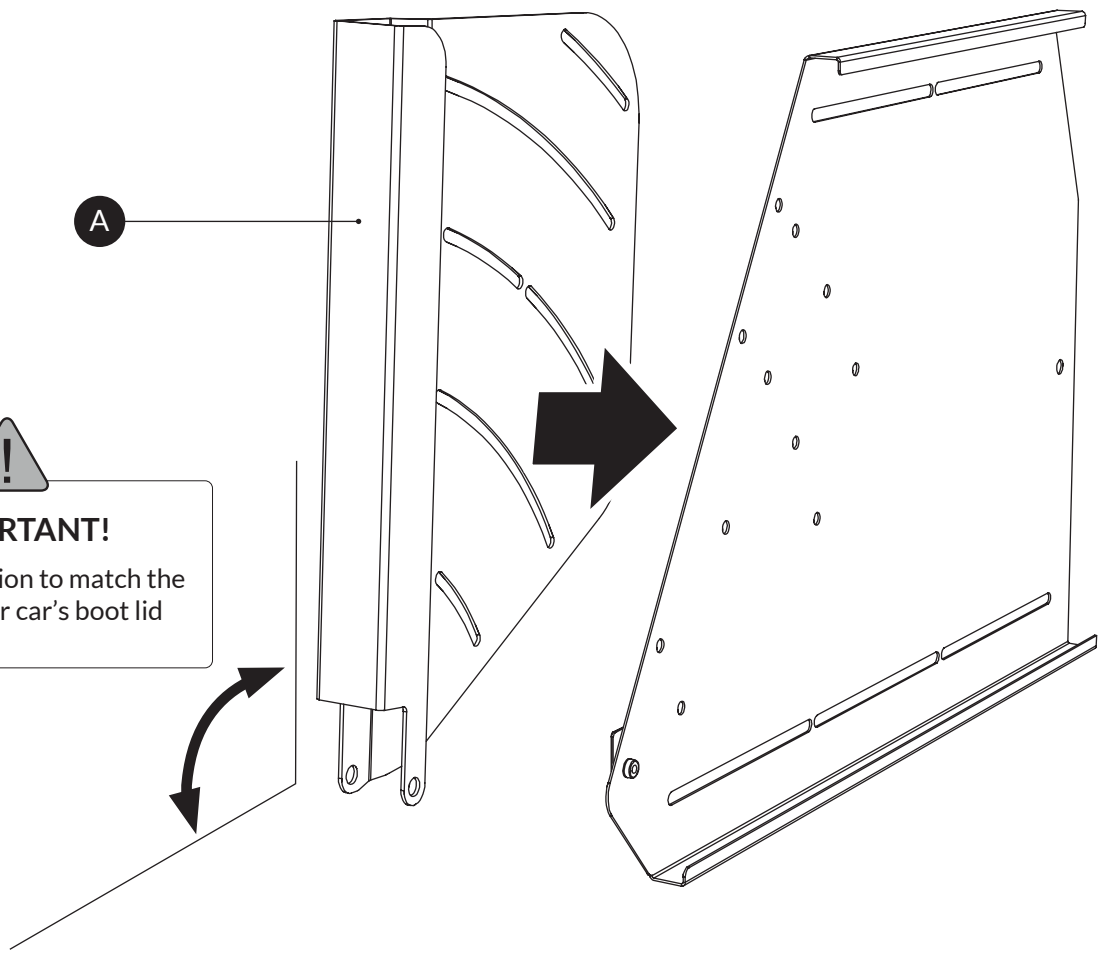
STEP
1



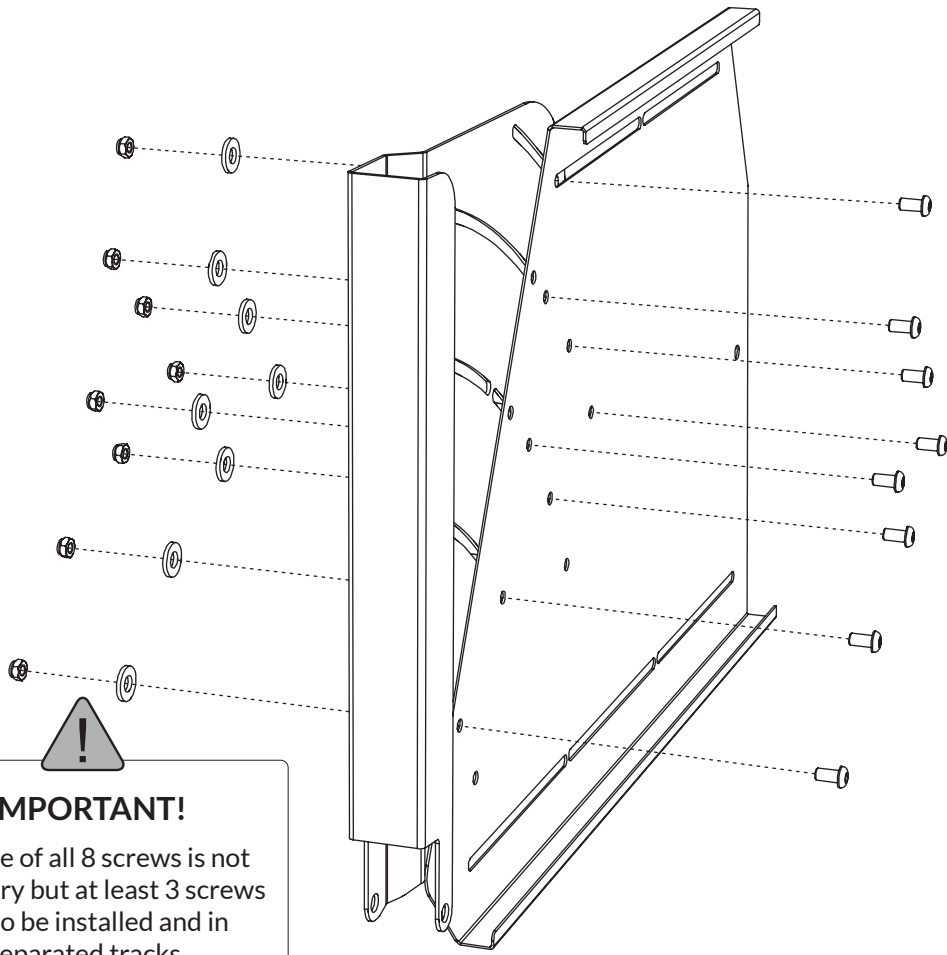
STEP
2




A


IMPORTANT!
Tilt the A section to match the angle of your car's boot lid



STEP
3



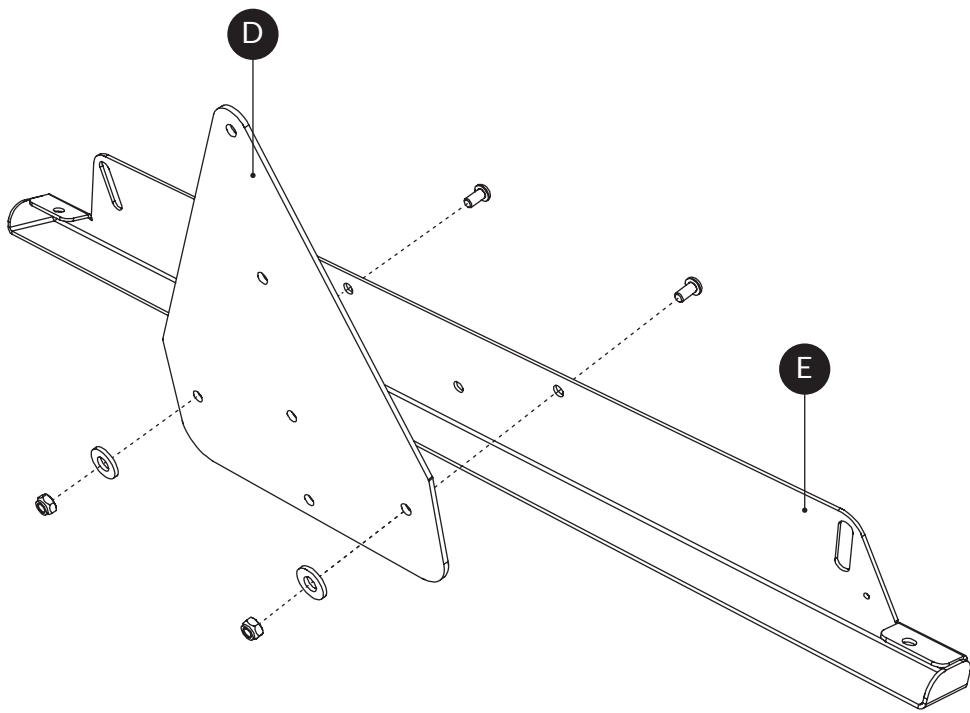
M-MM6NyS 8X	
M-BR6x19x15 8X	
M-SM6X12 8X	






IMPORTANT!

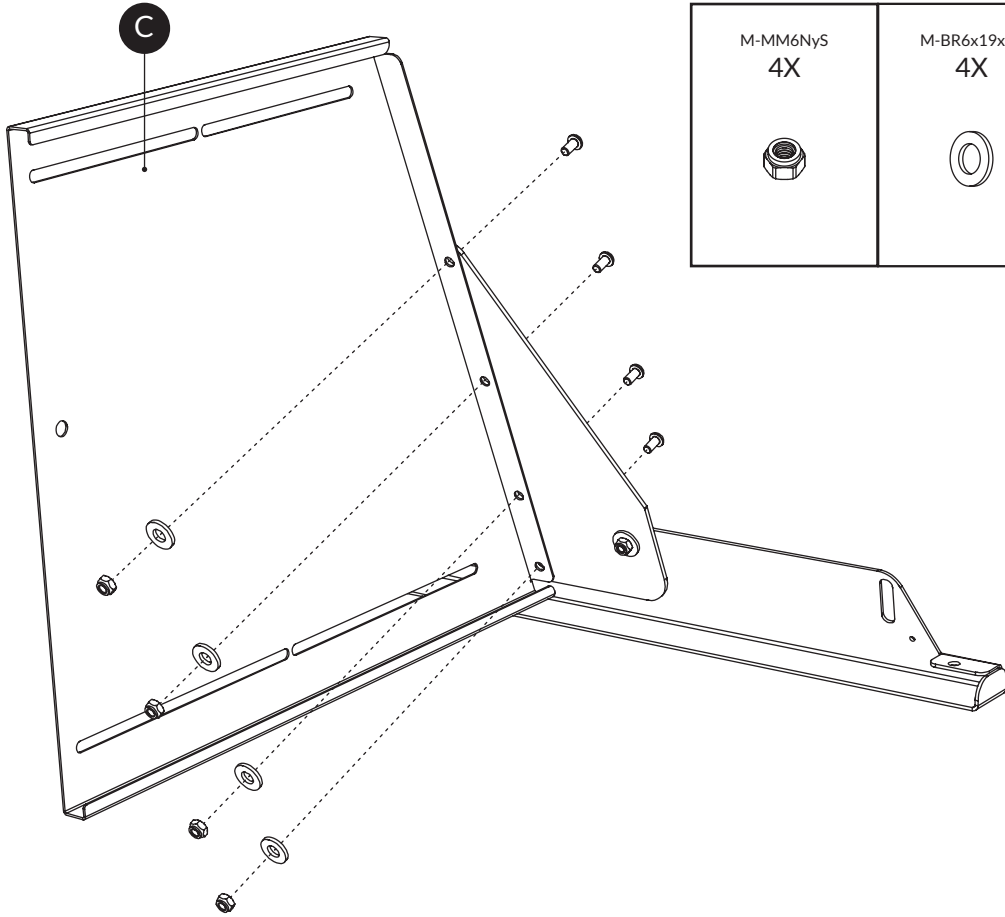
The use of all 8 screws is not necessary but at least 3 screws has to be installed and in separated tracks.




STEP
4



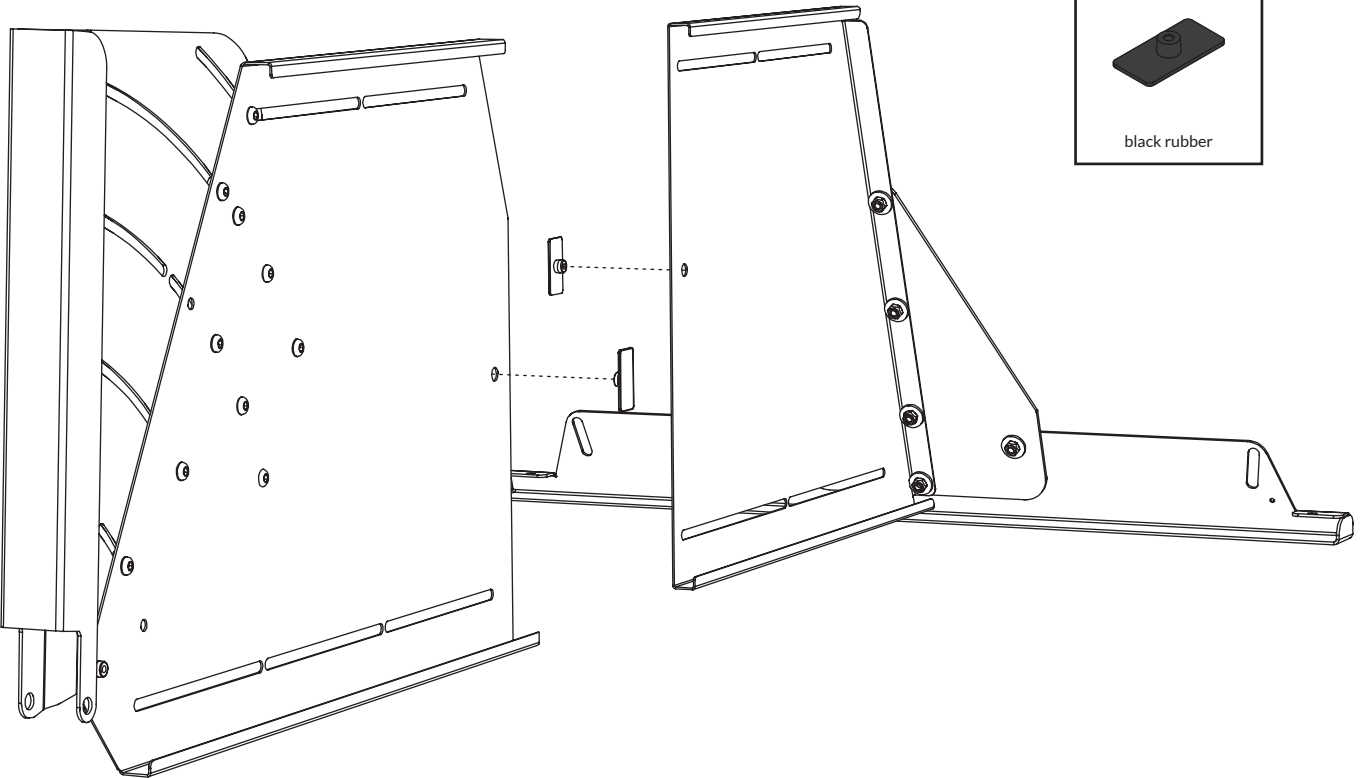
M-MM6NyS 2X	
M-BR6x19x15 2X	
M-SM6X12 2X	


STEP
5



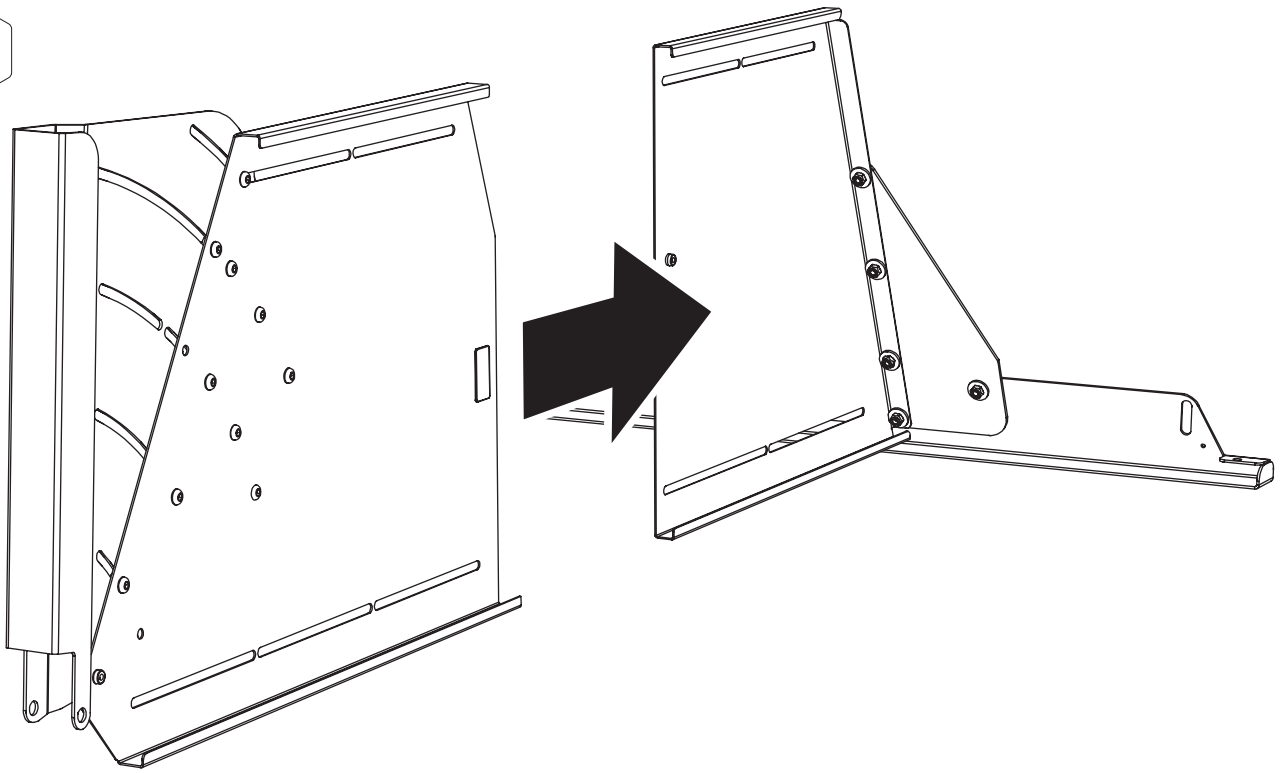
M-MM6NyS 4X	M-BR6x19x1S 4X	M-SM6X12 4X
		

STEP
6

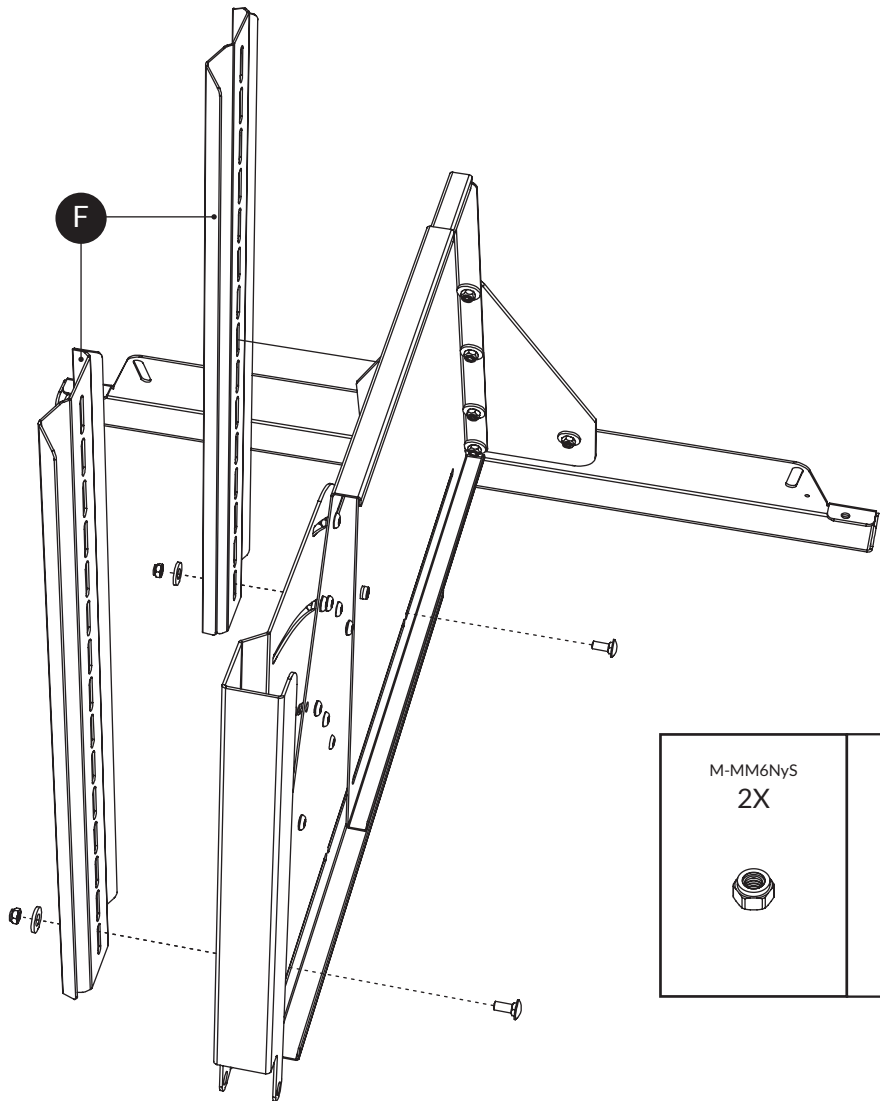





M-460641D 2X

black rubber

STEP
7

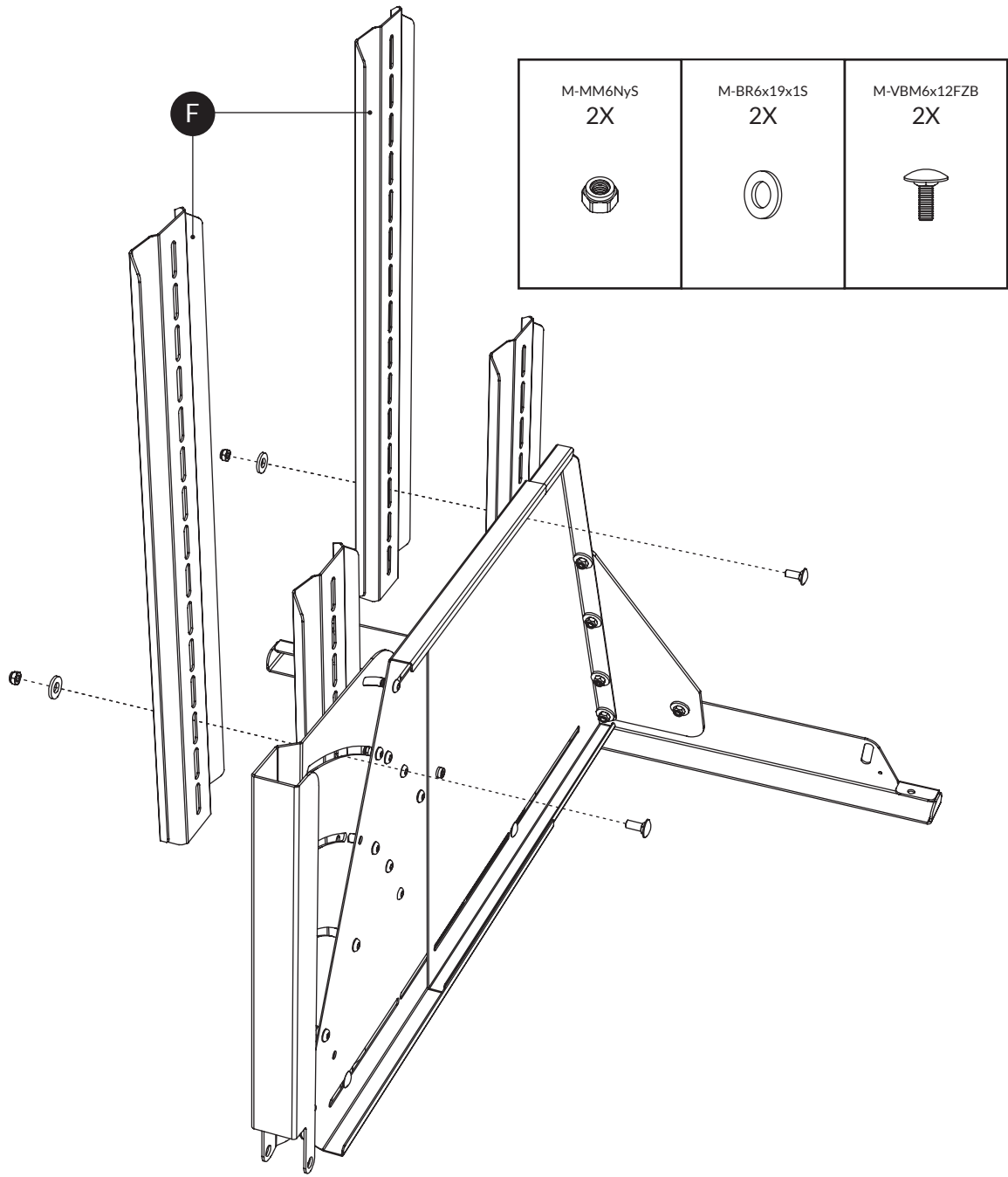


STEP
8



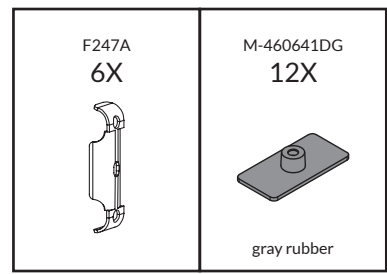
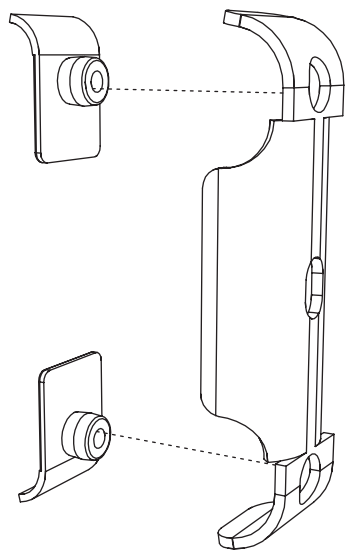
M-MM6NyS 2X	M-BR6x19x1S 2X	M-VBM6x12FZB 2X
		

STEP
9

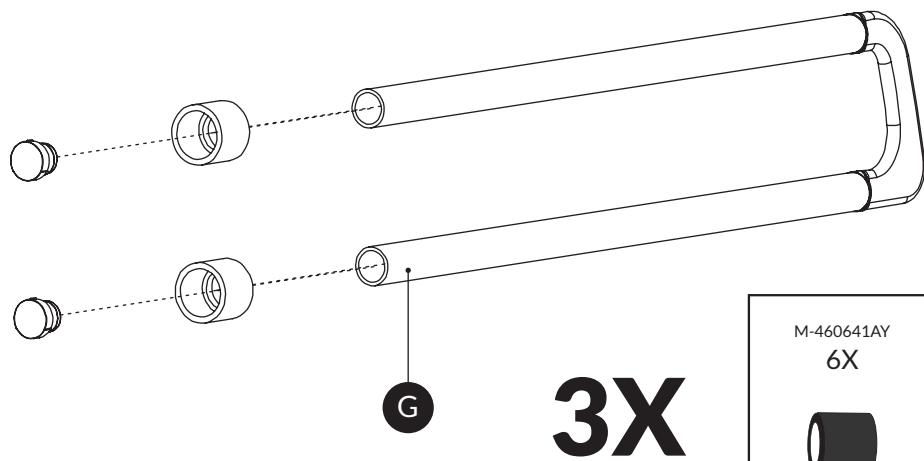


STEP
10



6X



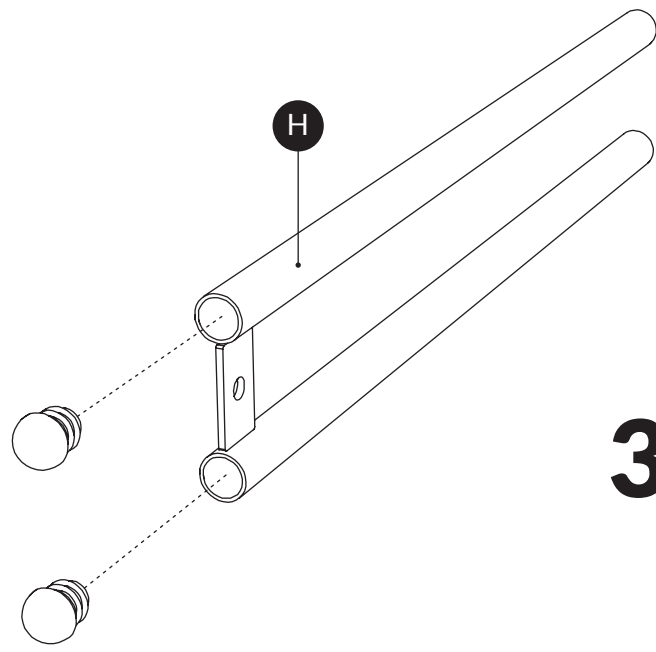
STEP
11




3X

M-460641AY 6X  rubber end caps	M-460641AL 6X  plastic end caps
--	---

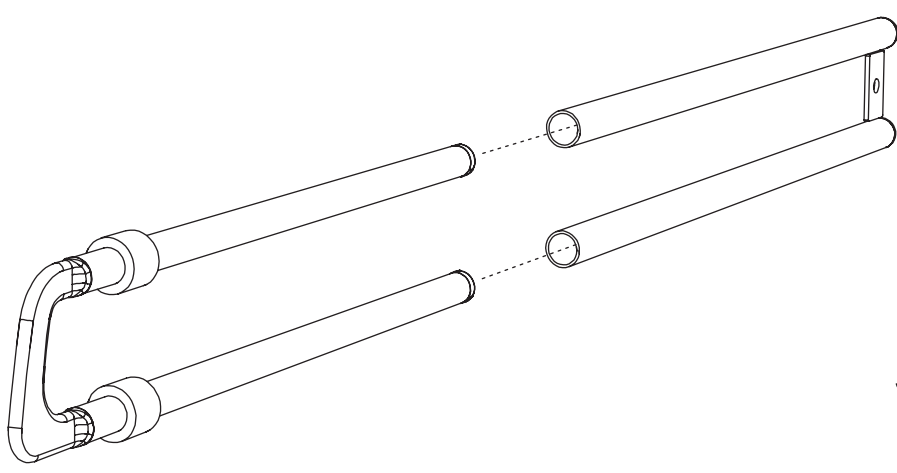
STEP
12



3X

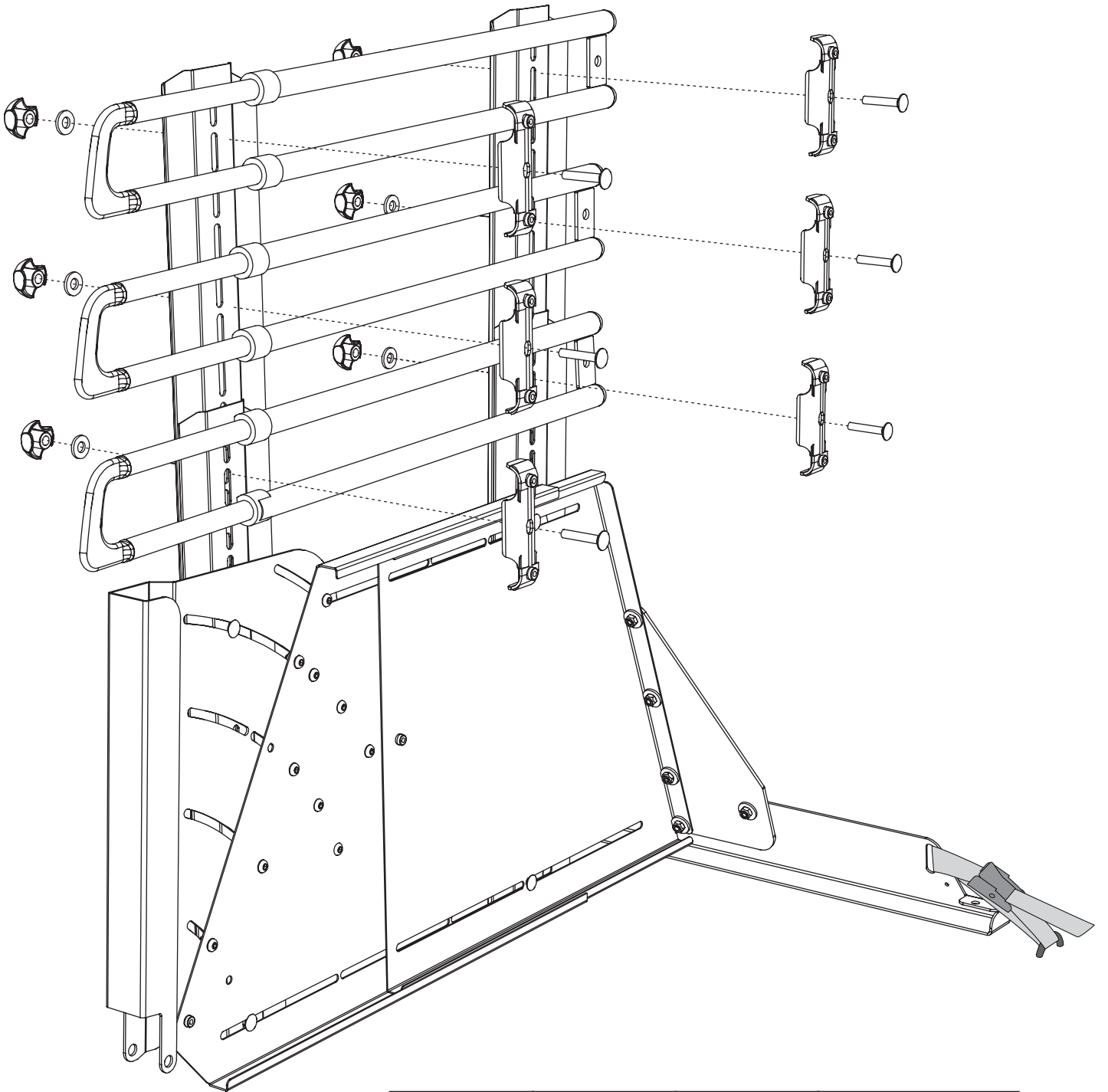
M-IKH2016-18s 6X  plastic end caps
--





STEP
13



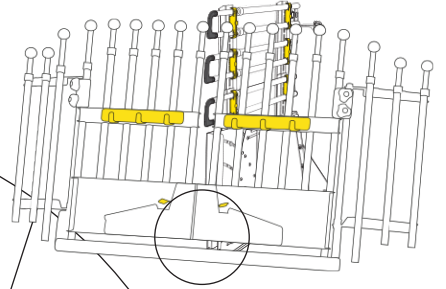
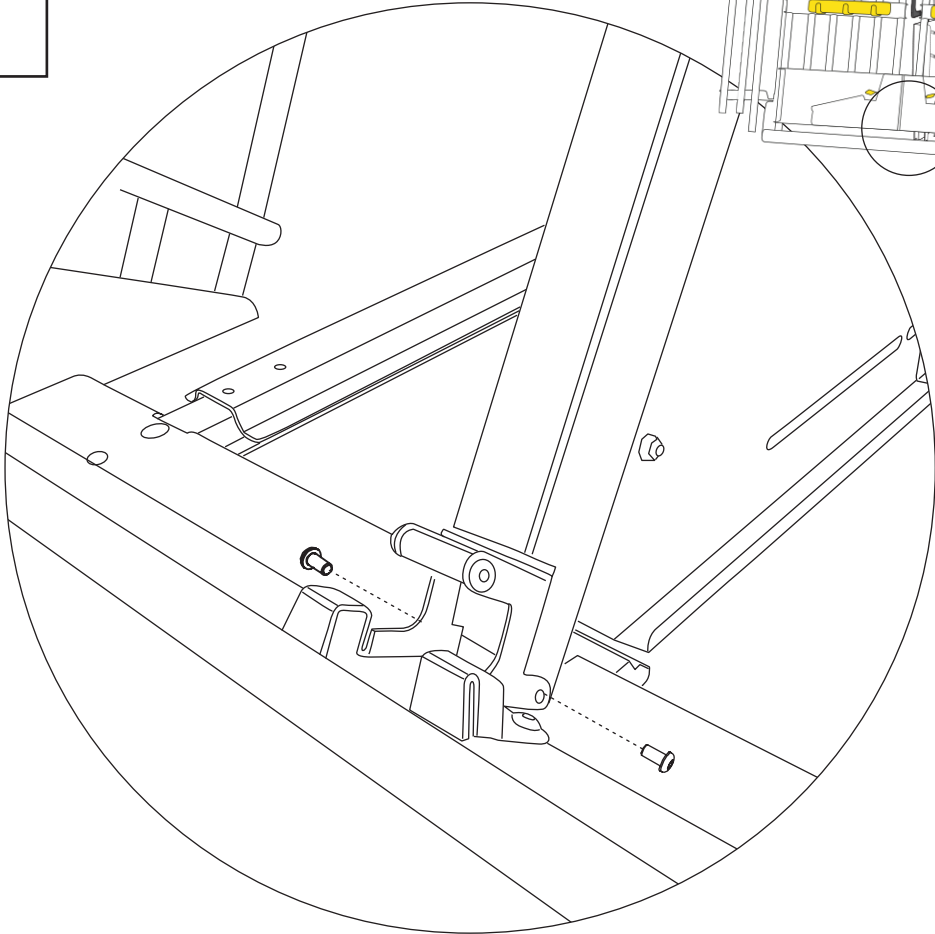
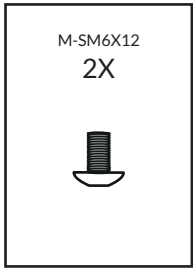
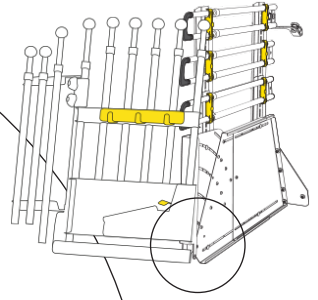
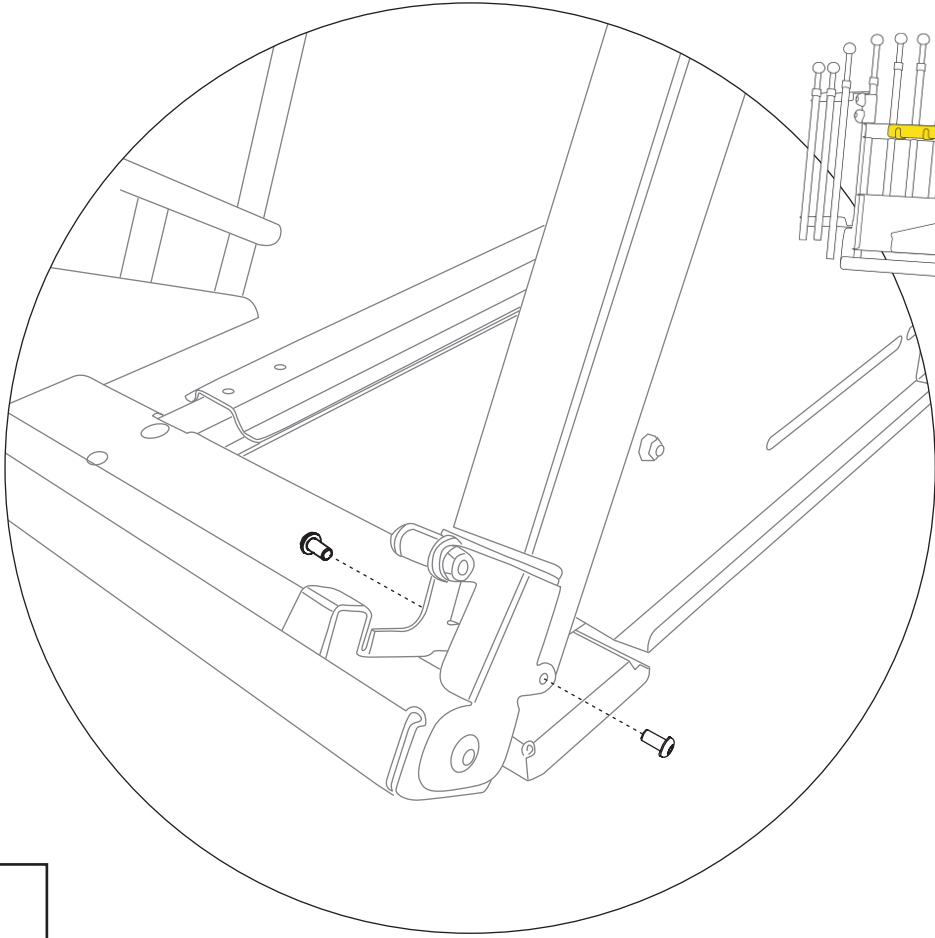
3X

STEP
14



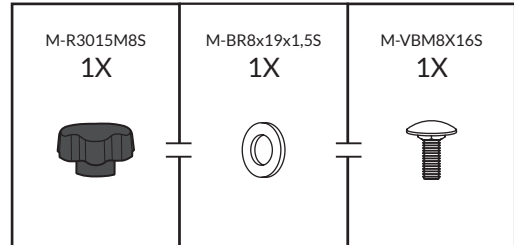
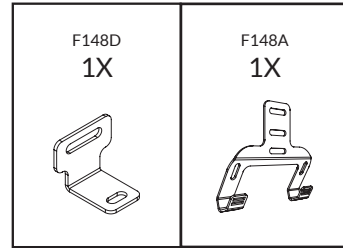
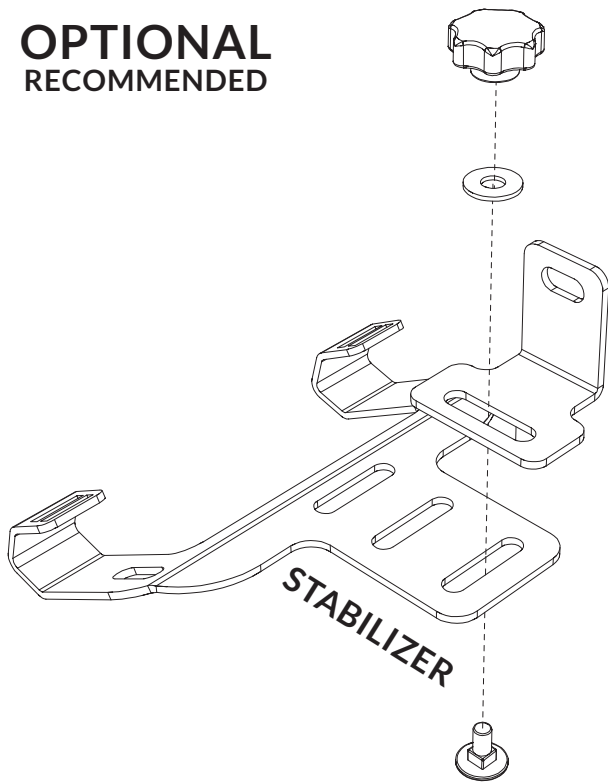
<p>M-SR3220M6S 6X</p> 	<p>M-VBM6X35 6X</p> 	<p>M-B251,56,5 SLD 6X</p>  <p>plastic</p>	<p>M-10323 2X</p>  <p>700mm</p>
--	--	---	---

STEP
15



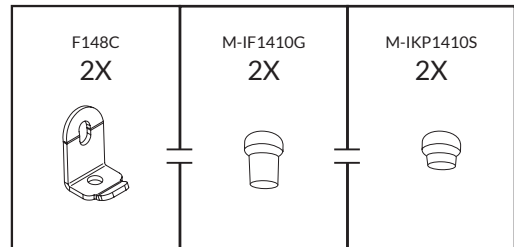
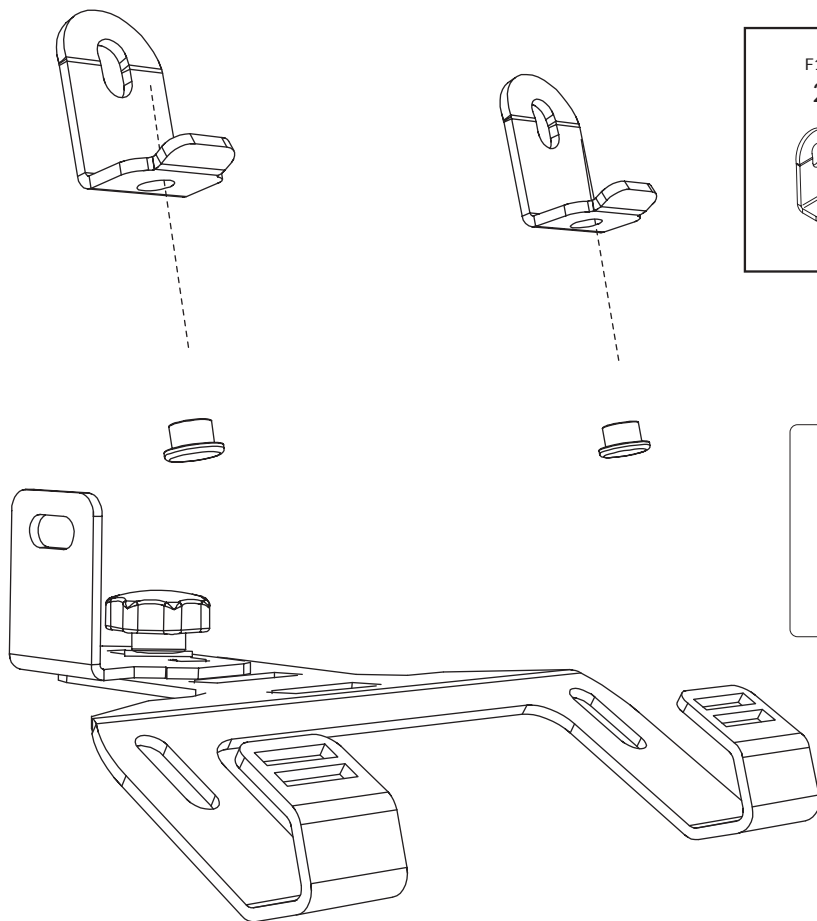
STEP
16

**OPTIONAL
RECOMMENDED**



STEP
17

**OPTIONAL
RECOMMENDED**

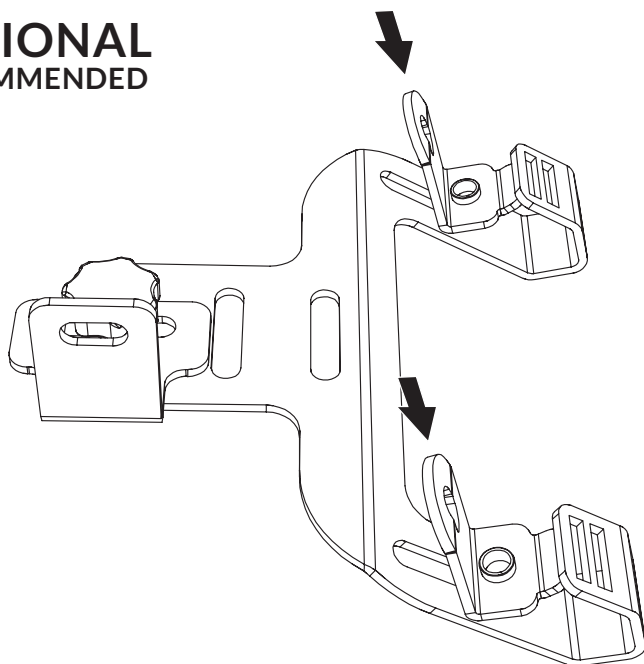


IMPORTANT!

Use M-IF1410G or
M-IKP1410S depending on the
pipe's thickness of you barrier

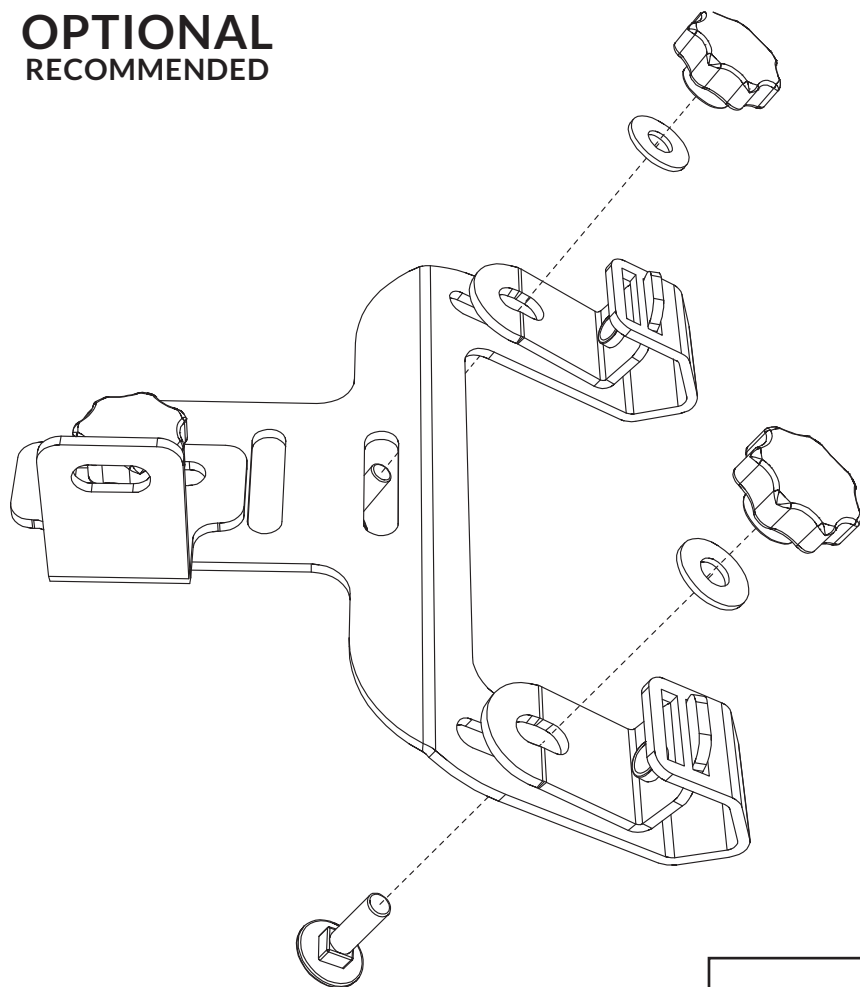
STEP
18




**OPTIONAL
RECOMMENDED**



STEP
19




**OPTIONAL
RECOMMENDED**

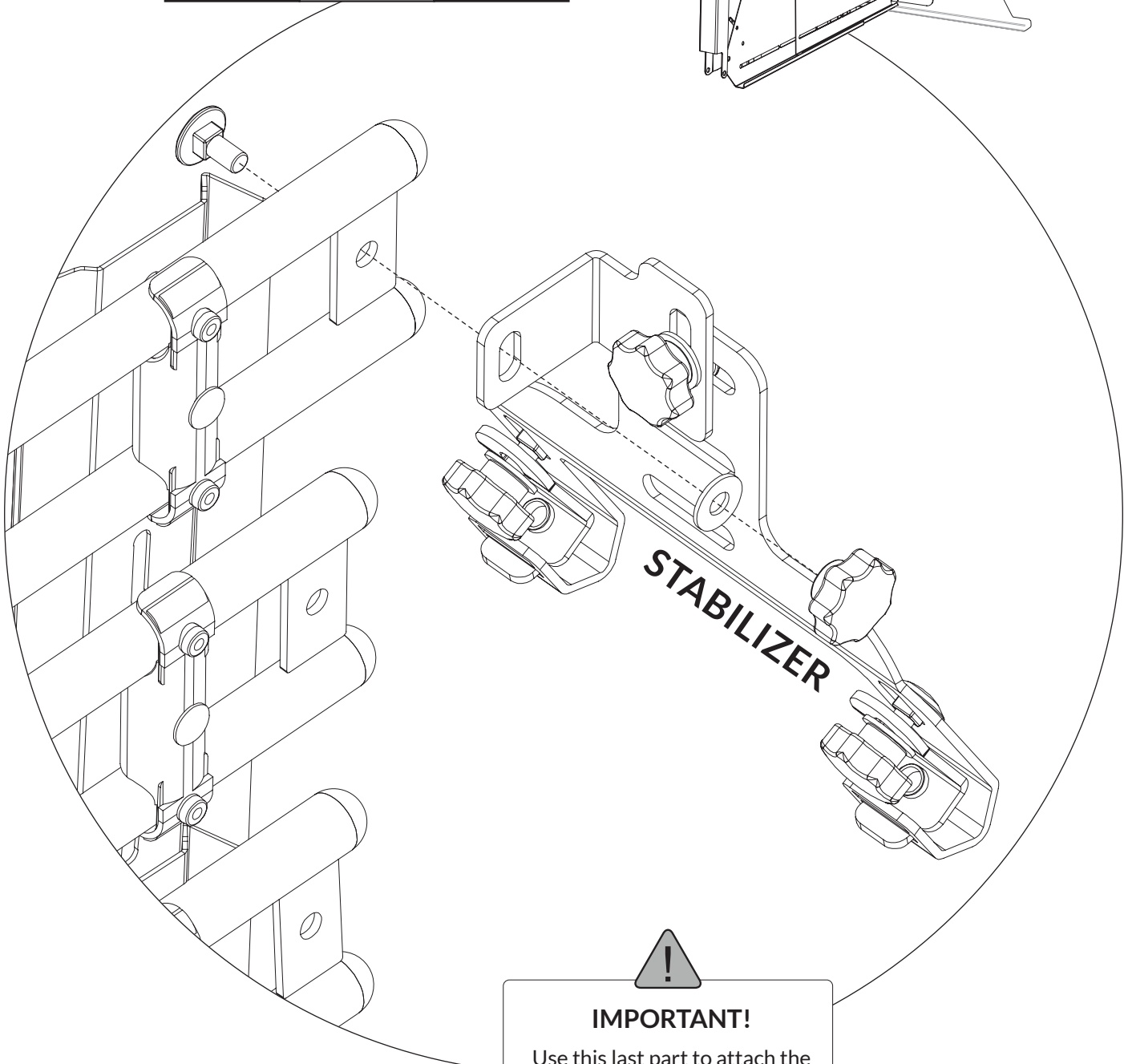
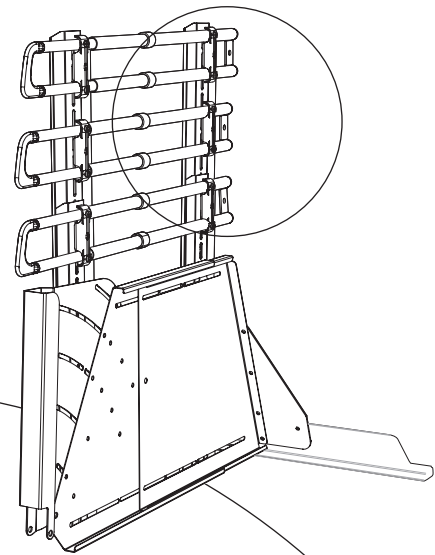


M-R3015M8S 2X	M-BR8x19x1.5S 2X	M-VBM8X25S 2X
		

STEP
20

**OPTIONAL
RECOMMENDED**

M-R3015M8S 1X	M-BR8x19x1.5S 1X	M-VBM6x12FZB 1X
		



IMPORTANT!
Use this last part to attach the VarioDivider to your barrier of choice.