

# HARVIA GLOW CORNER

HTRC900400

The Harvia Glow Corner is a corner-installed pillar heater for medium-sized saunas. In addition to their aesthetic, Glow heaters also offer a pleasant sauna experience: the large stone quantity enables soft, comfortable steam.

## Advantages

- Corner-mounted, crown-like pillar heater
- Fits into a small space
- Plenty of visible stone surface
- Easy-to-use operating switches on the front of the heater



## Features

Main material : Steel

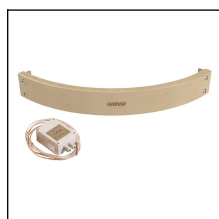
H x W x D : 1100.0 x 330.0 x 330.0 mm

Net weight (kg) : 17.5

Installation location : Wall

ID	GTIN	Output (kW)	Sauna room size min - max m <sup>3</sup>
HTRC900400	6410082660148	9 kW	8.0-14.0

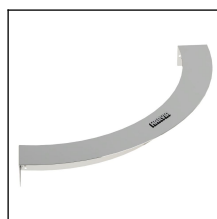
## Related products



HTRC3L



HTRC3



HTRC1



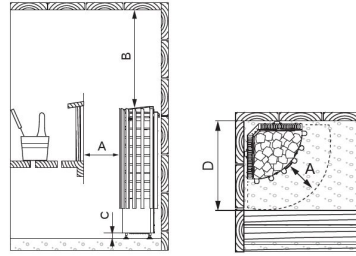
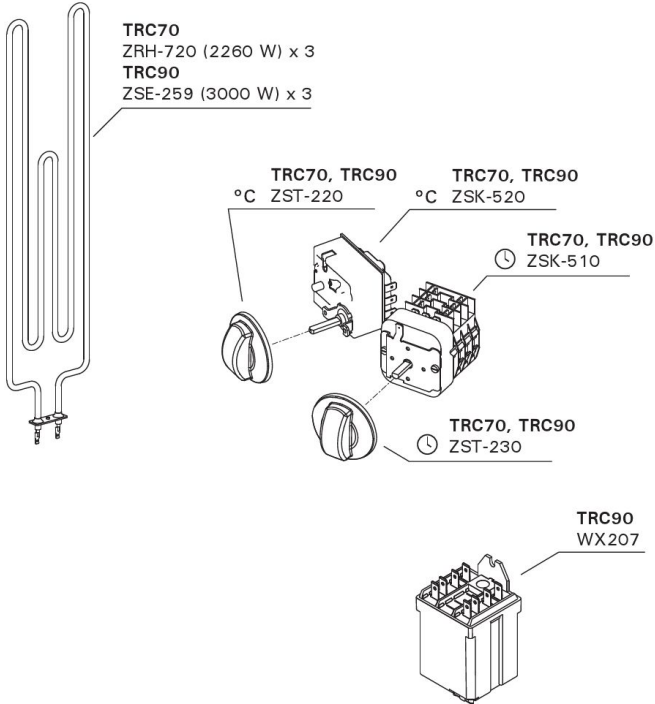
## Spare parts

Product	ID	Pcs
Heating element 3000W/230V	ZSE-259	3
Contactora K1 62.83.8.230.0300	WX207	1
Timer 4h+8h	ZSK-510	1
Thermostat/overheating limiter switch	ZSK-520	1
Thermostat knob	ZST-220	1
Timer knob	ZST-230	1
Sensor bracket, Cilindro	SPZSC-145	
Heating element 3000W 230V	SPZSE-259	
Timer 4+8h	SPZSK-510	1
Thermostat overheating limiter switch	SPZSK-520	
Knob thermostat KIP/M/PC/QR/FG, black	SPZST-220	
Knob timer 4+8 KIP/M/PC/QR/FG, black, black	SPZST-230	

## Technical details

Technical data	Type / attribute	HTRC900400
Technical data	Color	Stainless Steel
	Power output	9 kW
	Stone sizes	Ø5–10 cm
	Stone amount (kg)	50
	Dimensions	Product width
Product height		1100
Product depth (mm)		330
Net weight (kg)		17.5
Gross weight		19.7
Package width		390
Package height		1110
Safety and installation dimensions	Package depth	390
	Safety distance front (non-combustible materials)	100
	Safety distance front (combustible materials)	100
	Safety distance side (non-combustible materials)	100
	safety distance to the side wall (combustible materials)	100
	Safety distance (Ceiling)	800
	Room min. height(depends on connections and therefore from output, star/delta)	1900
	Installation opening height	1900
Installation opening width	430	
Installation opening depth	430	

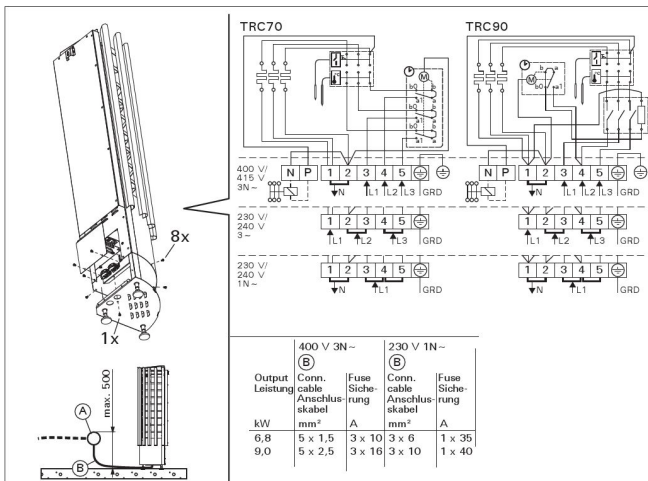
**Technical images**



	min. mm			
	A	B	C	D
TRC70	100	800	20	430
TRC90	100	800	20	430

Safety distances (all dimensions in millimeters)

We recommend to use only the manufacturer's spare parts.



Electrical connections