

90mm Coilnailer

Parts Reference Guide
Guía de referencia
de piezas
Pièces Guide
de référence

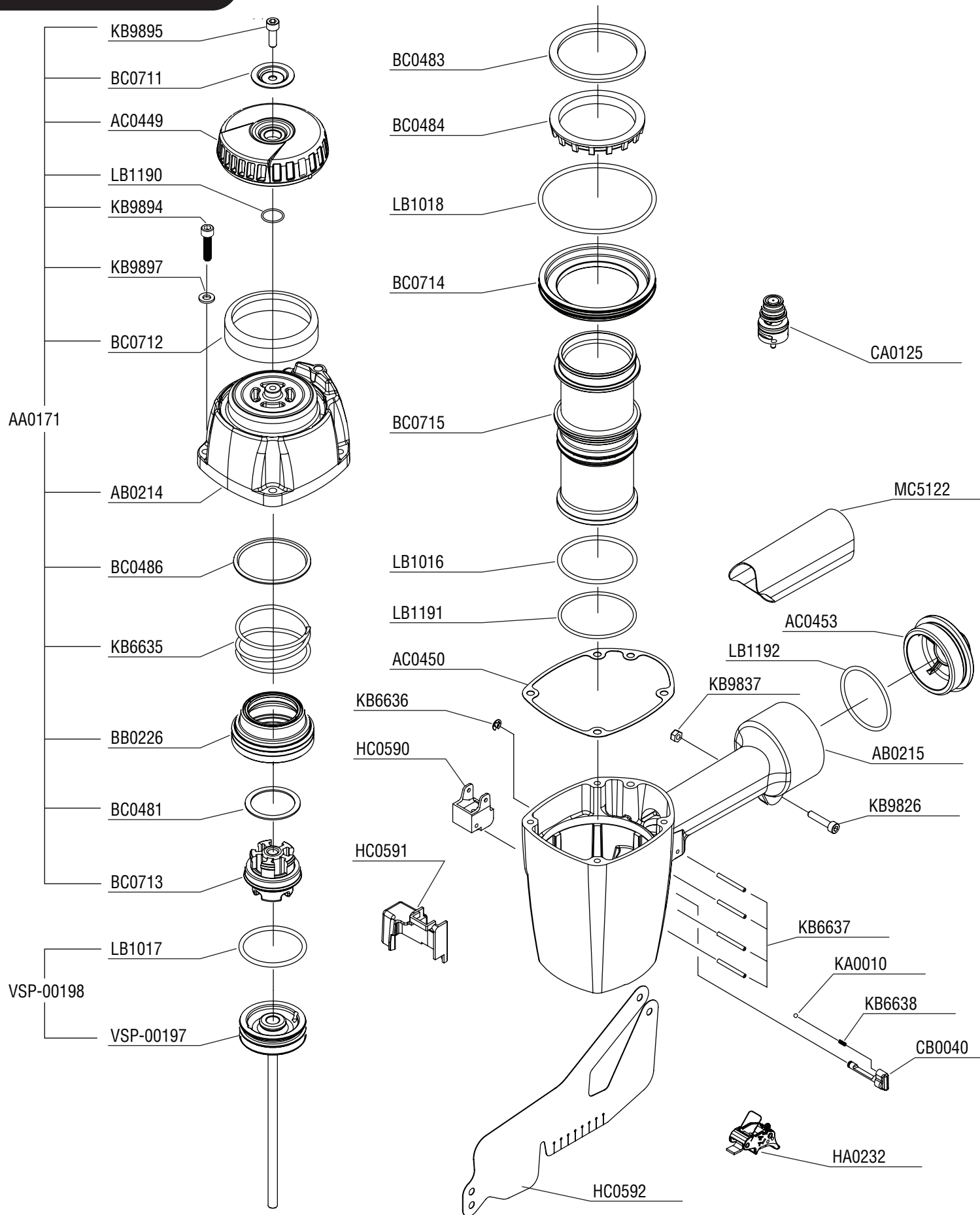
Schematic Drawings Inside
Plano esquemático en el interior
Schéma intérieur

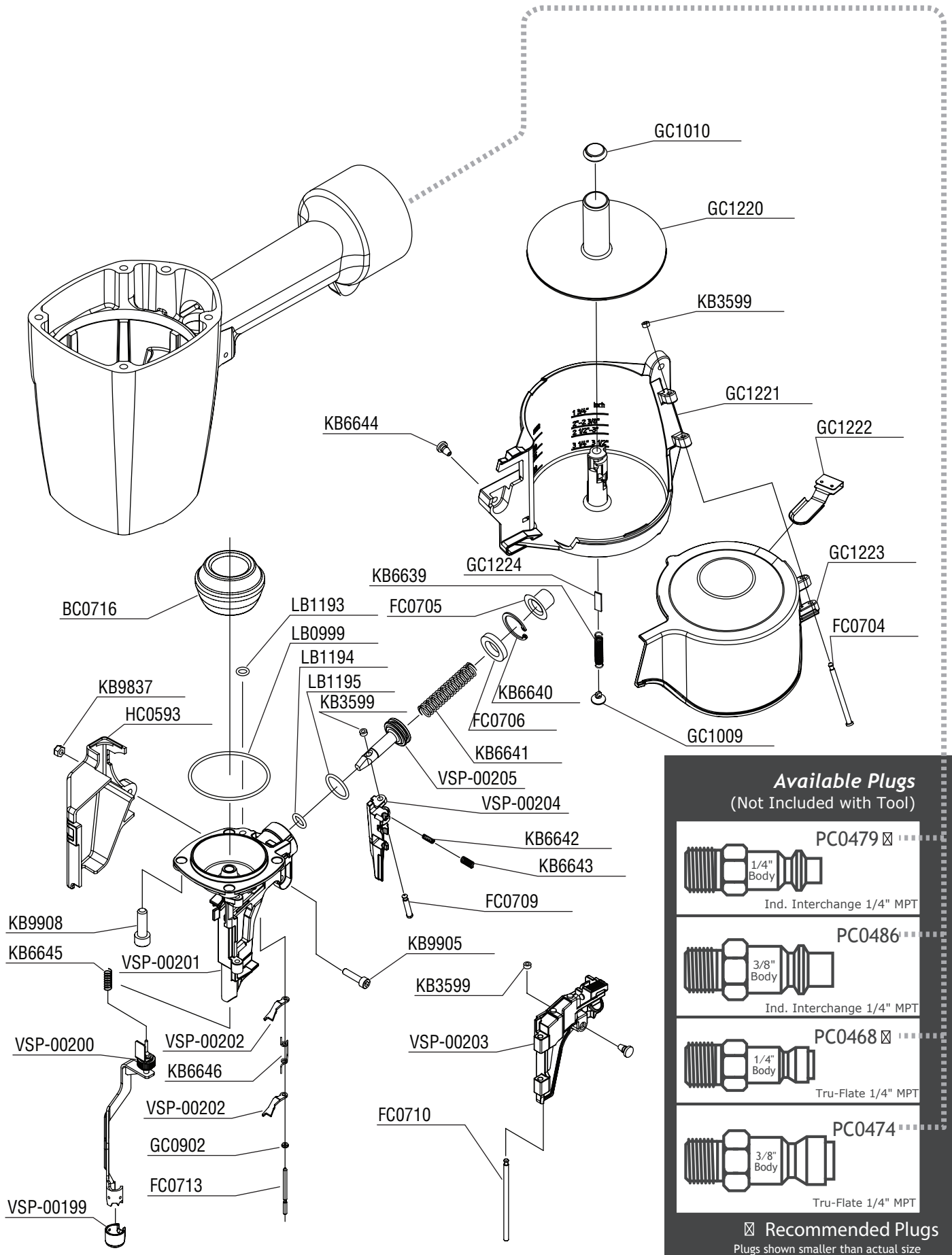


SENCO[®]


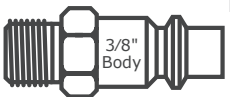
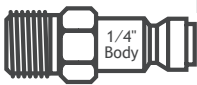
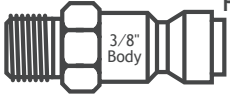
Verpa Senco BV
Pascallaan 88
8218 NJ LELYSTAD
The Netherlands
www.senco-emea.com

VPE01N • December 16, 2014





Available Plugs
(Not Included with Tool)

| | |
|---------------------------------------------------------------------------------------|----------|
|  | PC0479 ☒ |
| Ind. Interchange 1/4" MPT | |
|  | PC0486 |
| Ind. Interchange 1/4" MPT | |
|  | PC0468 ☒ |
| Tru-Flate 1/4" MPT | |
|  | PC0474 |
| Tru-Flate 1/4" MPT | |

☒ Recommended Plugs
Plugs shown smaller than actual size

REPLACEMENT PARTS LIST • LISTA DE PARTES DE REPUESTO • LISTE DE PIÈCES DE RECHANGE

| PART NO. | DESCRIPTION | DESCRIPCIÓN | DÉSIGNATION |
|-----------|------------------------|--------------------|-------------------------|
| AA0171 | CAP ASSEMBLY | ASAMBLE DE TAPA | ENSEMBLE BOUCHON |
| AB0214 | CAP | TAPA | BOUCHON |
| AB0215 | MAIN BODY | CARCASA | CORPS |
| AC0449 | CAP | TAPA | BOUCHON |
| AC0450 | SEAL | SELLO | JOINT |
| AC0453 | COVER | CUBIERTA | COUVERCLE |
| BB0226 | FIRING VALVE ASSEMBLY | ASAMBLE DE VÁLVULA | VALVE D'ASSEMBLÉE |
| BC0481 | WASHER | ARANDELA | RONDELLA |
| BC0483 | SEAL | SELLO | JOINT |
| BC0484 | SPACER | SEPARADOR | ENTRETOISE |
| BC0486 | RETAINER | JUNTA TORICA | RETENUE |
| BC0711 | WASHER | ARANDELA | RONDELLA |
| BC0712 | MUFFLER | SILENCIADOR | SILENCIEUX |
| BC0713 | RETAINER | JUNTA TORICA | RETENUE |
| BC0714 | SPACER | SEPARADOR | ENTRETOISE |
| BC0715 | CYLINDER | CILINDRO | CYLINDRE |
| BC0716 | BUMPER | AMORTIGUADOR | AMORTISSEUR |
| CA0125 | TRIGGER VALVE ASSEMBLY | ASAMBLE DE VÁLVULA | VALVE D'ASSEMBLEE |
| CB0040 | PIN ASSEMBLY | ASAMBLE DE PASADOR | ENSEMBLE GOUPILLE |
| VSP-00197 | PISTON | PISTON | PISTON |
| VSP-00198 | PISTON ASSEMBLY | ASAMBLE DE PISTON | ENSEMBLE PISTON-COUTEAU |
| VSP-00203 | DOOR | PUERTA | PORTE |
| FC0704 | PIN | PASADOR | GOUPILLE |
| FC0705 | WASHER | ARANDELA | RONDELLA |
| FC0706 | SEAL | SELLO | JOINT |
| VSP-00205 | PISTON | PISTON | PISTON |
| VSP-00204 | LATCH | UNETA | DOIGT DE RETENUE |
| FC0709 | PIN | PASADOR | GOUPILLE |
| FC0710 | PIN | PASADOR | GOUPILLE |
| VSP-00201 | GUIDEBODY | PLACA DE NARIZ | FRONT |
| VSP-00202 | COVER | CUBIERTA | COUVERCLE |
| FC0713 | PIN | PASADOR | GOUPILLE |
| GC0902 | RETAINER | JUNTA TORICA | RETENUE |
| GC1009 | COVER | CUBIERTA | COUVERCLE |
| GC1010 | CAP | TAPA | BOUCHON |
| GC1220 | PLATE | PLACA | PLAQUE |
| GC1221 | MAGAZINE | CARGADOR | MAGASIN |
| GC1222 | SPRING PLATE | RESORTE PLACA | RESSORT PLAQUE |
| GC1223 | COVER | CUBIERTA | COUVERCLE |
| GC1224 | MUFFLER | SILENCIADOR | SILENCIEUX |
| HA0232 | TRIGGER ASSEMBLY | ASAMBLE DE GATILLO | GACHETTE D'ASSEMBLEE |
| VSP-00200 | SAFETY ELEMENT | SEGURO | PALPEUR DE SECURITE |
| HC0590 | GUIDE | GUIA | GUIS |
| HC0591 | COVER | CUBIERTA | COUVERCLE |
| HC0592 | COVER | CUBIERTA | COUVERCLE |
| HC0593 | COVER | CUBIERTA | COUVERCLE |
| VSP-00199 | NO MAR PAD | AMORTIGUADOR | COUSSIN |
| KA0010 | STEEL BALL | BOLA DE ACERO | BALLE ACIER |
| KB3599 | RETAINER | JUNTA TORICA | RETENUE |
| KB6635 | SPRING | RESORTE | RESSORT |
| KB6636 | SEAL | SELLO | JOINT |
| KB6637 | SPRING | RESORTE | RESSORT |
| KB6638 | SPRING | RESORTE | RESSORT |
| KB6639 | SPRING | RESORTE | RESSORT |
| KB6640 | SEAL | SELLO | JOINT |
| KB6641 | SPRING | RESORTE | RESSORT |
| KB6642 | SPRING | RESORTE | RESSORT |
| KB6643 | SPRING | RESORTE | RESSORT |
| KB6644 | PIN | PASADOR | GOUPILLE |
| KB6645 | SPRING | RESORTE | RESSORT |
| KB6646 | SPRING | RESORTE | RESSORT |
| KB9826 | SCREW | TORNILLA | VIS |
| KB9837 | NUT | TUERCA | ECROU |
| KB9894 | SCREW | TORNILLA | VIS |
| KB9895 | SCREW | TORNILLA | VIS |
| KB9897 | WASHER | ARANDELA | RONDELLA |
| KB9905 | SCREW | TORNILLA | VIS |
| KB9908 | SCREW | TORNILLA | VIS |
| LB0999 | SEAL | SELLO | JOINT |
| LB1016 | SEAL | SELLO | JOINT |
| LB1017 | SEAL | SELLO | JOINT |
| LB1018 | SEAL | SELLO | JOINT |
| LB1190 | SEAL | SELLO | JOINT |
| LB1191 | SEAL | SELLO | JOINT |
| LB1192 | SEAL | SELLO | JOINT |
| LB1193 | SEAL | SELLO | JOINT |
| LB1194 | SEAL | SELLO | JOINT |
| LB1195 | SEAL | SELLO | JOINT |
| MC5122 | HANDLE GRIP | AGARRADERO | GAINÉ EN CUIR |