

Sensor-switched LED indoor light

# RS 16 S

PMMA  
EAN 4007841 008383  
Article number 008383



LED

30 years (Ø 4,5h / day)

4000 K

4000K neutral white



high frequency sensor  
360°



Ø 3 - 8 m



IP44



2 - 2000 lux



5 sec - 15 min



energy saving

3 years

manufacturer's  
warranty

## Function description

Evolution of a classic. RS 16 S sensor-switched indoor light, ideal for corridors, hallways, stairwells and bathrooms. Integrated high-frequency sensor with 360° coverage, 3-8 m reach all round. The latest LED technology, 958 lm at a consumption of only 9,5 W. Adjustable time and twilight threshold.

# RS 16 S

PMMA  
 EAN 4007841 008383  
 Article number 008383



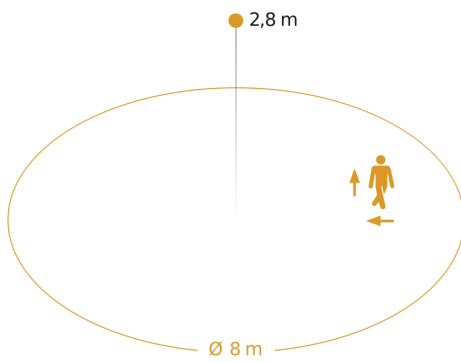
## Technical specifications

Dimensions (Ø x H)	280 x 110 mm	Reach, tangential	Ø 8 m (50 m <sup>2</sup> )
With lamp	Yes, STEINEL LED system	Photo-cell controller	Yes
With motion detector	Yes	Transmitter power	< 1 mW
Manufacturer's Warranty	3 years	Luminous flux total product	958 lm
Settings via	Potentiometers	Total product efficiency	100 lm/W
With remote control	No	Colour temperature	4000 K
Version	PMMA	Colour variation LED	SDCM3
PU1, EAN	4007841008383	Lamp	LED cannot be replaced
Application, place	Indoors	Base	without
Application, room	corridor / aisle, function room / ancillary room, stairwell, WC / washroom, outdoors, Indoors	LED cooling system	Passive Thermo Control
Colour	white	Soft light start	No
includes sheet of self-adhesive numbers	No	Continuous light	selectable
Installation site	wall, ceiling	Twilight setting	2 – 2000 lx
Installation	Wall, Ceiling, Surface wiring	Time setting	5 s – 15 Min.
Impact resistance	IK03	Basic light level function	Yes
IP-rating	IP44	Basic light level function time	10/30 min, all night
Protection class	II	Twilight setting TEACH	No
Ambient temperature	-10 – 40 °C	Interconnection	Yes
Housing material	Plastic	Type of interconnection	Master/master
Cover material	Plastic, opal	Interconnection via	Cable
Mains power supply	220 – 240 V / 50 – 60 Hz	Fuse protection B10	54
Power consumption	0,38 W	Fuse protection B16	87
Mounting height max.	4,00 m	Fuse protection C10	90
HF-system	5,8 GHz	Fuse protection C16	145
Slave modeselectable	No	Basic light level function in per cent	10 %
Detection	also through glass, wood and stud walls	Output	9,5 W
Capability of masking out individual segments	No	Angle of aperture	160 °
Electronic scalability	Yes	IP-rating, ceiling	IP44
Mechanical scalability	No	Detection angle	360 °
Reach, radial	Ø 8 m (50 m <sup>2</sup> )		

# RS 16 S

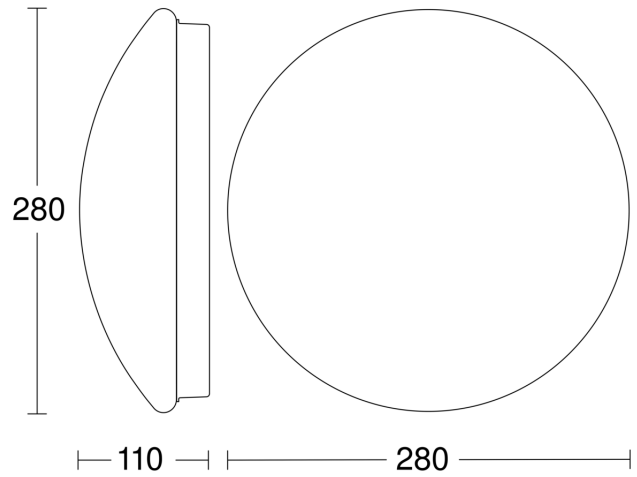
PMMA  
EAN 4007841 008383  
Article number 008383

## Detection Zone

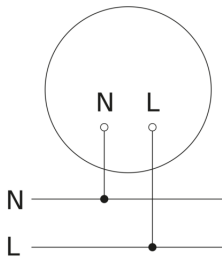


Possible mounting height: 2,00 m - 4,00 m  
Orange: radial and tangential

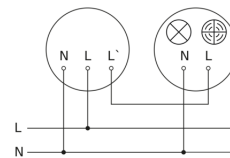
## Dimension Drawing



## Circuit diagram



## Master circuit diagram



Sensor-switched LED indoor light

# RS 16 S

PMMA  
EAN 4007841 008383  
Article number 008383



## Master/master interconnection circuit diagram

