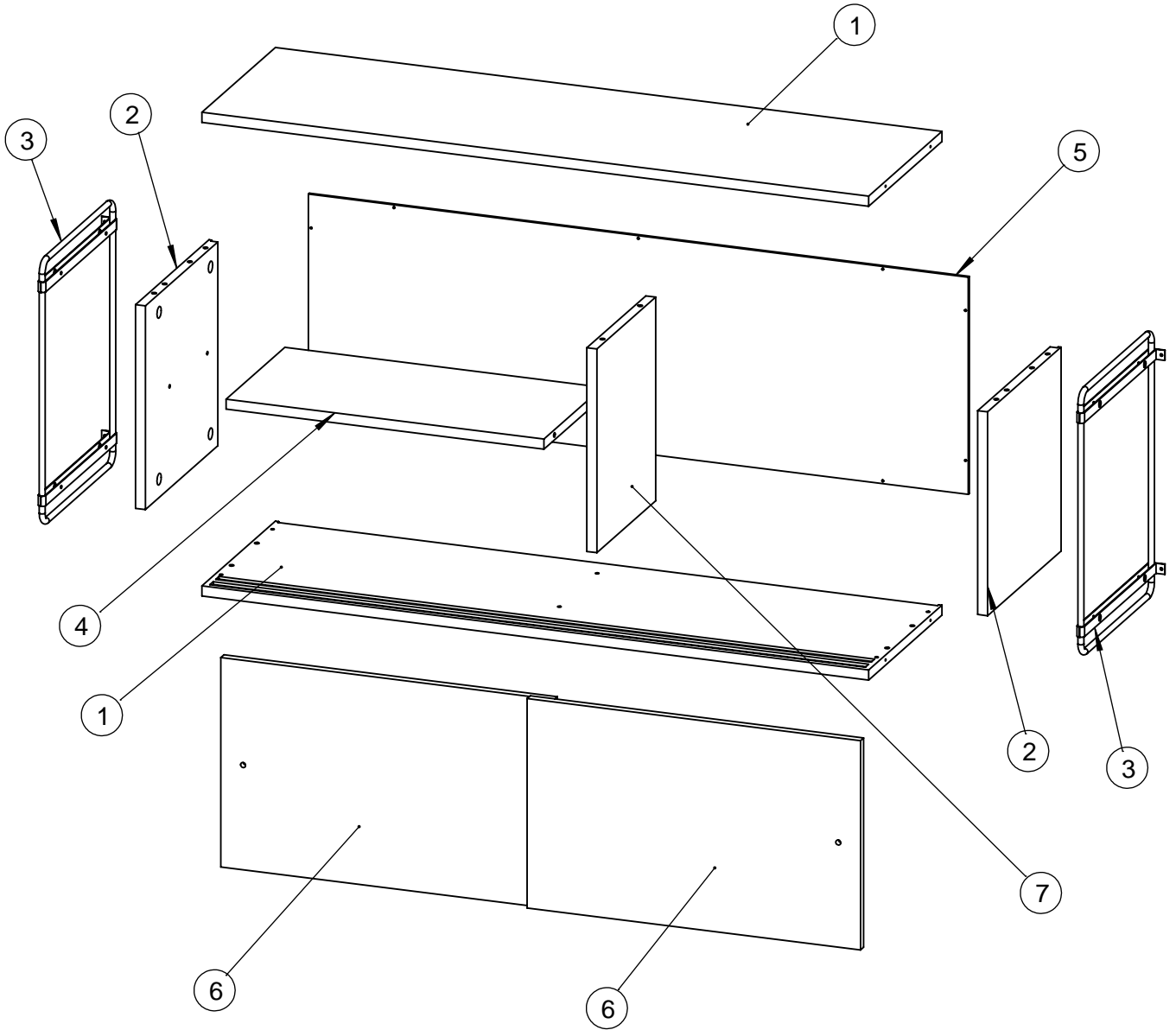
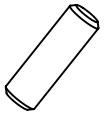


# Assembly Instruction

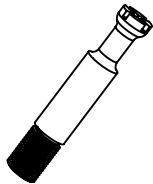
30053-125, 30053-130



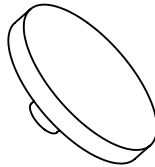
AX8



BX16



CX2



DX2



EX16



FX11



GX8



HX1



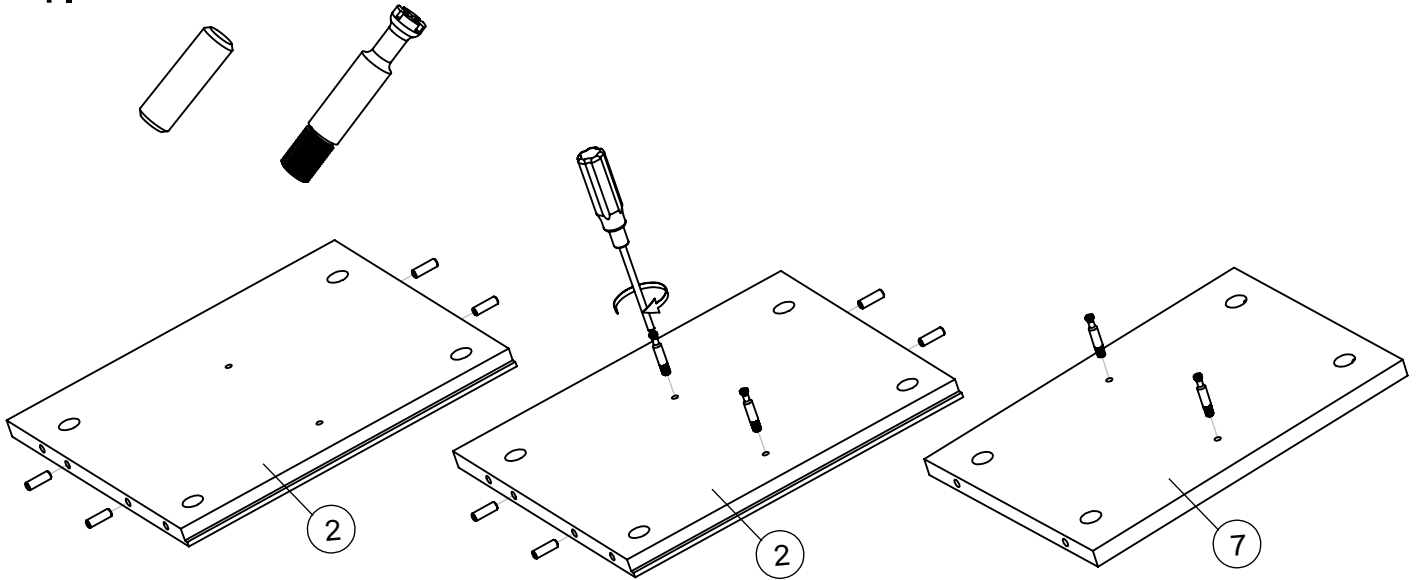
# Assembly Instruction

30053-125, 30053-130

1.

AX8

BX4

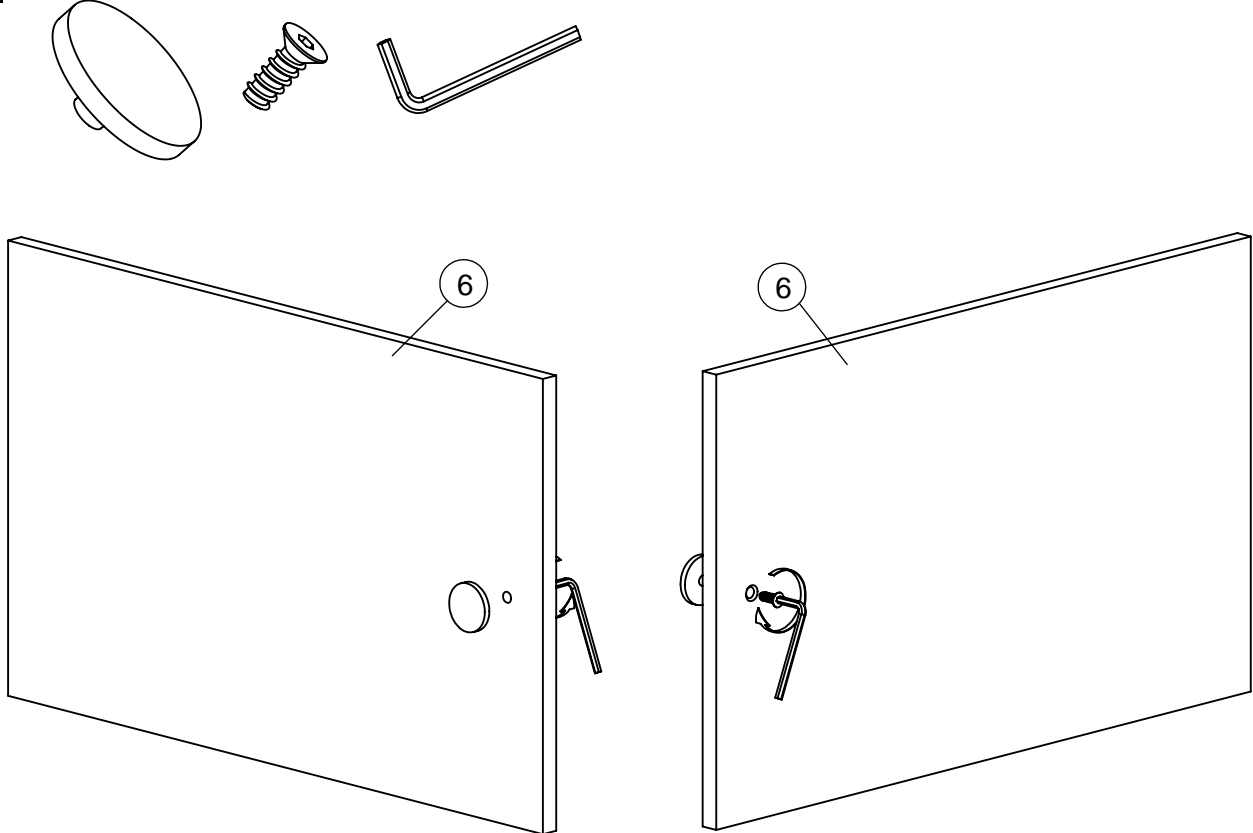


2.

CX2

DX2

HX1

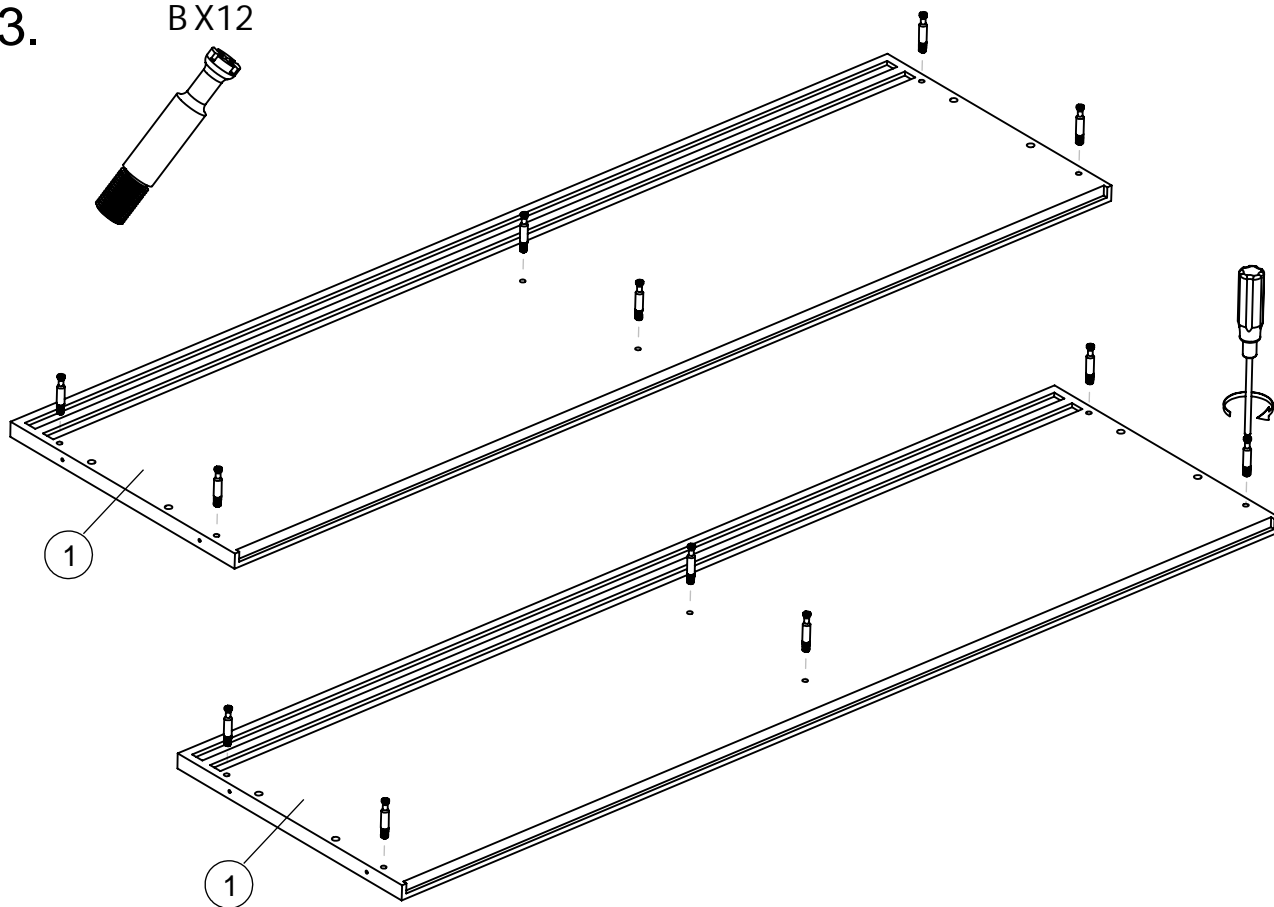


# Assembly Instruction

## 30053-125, 30053-130

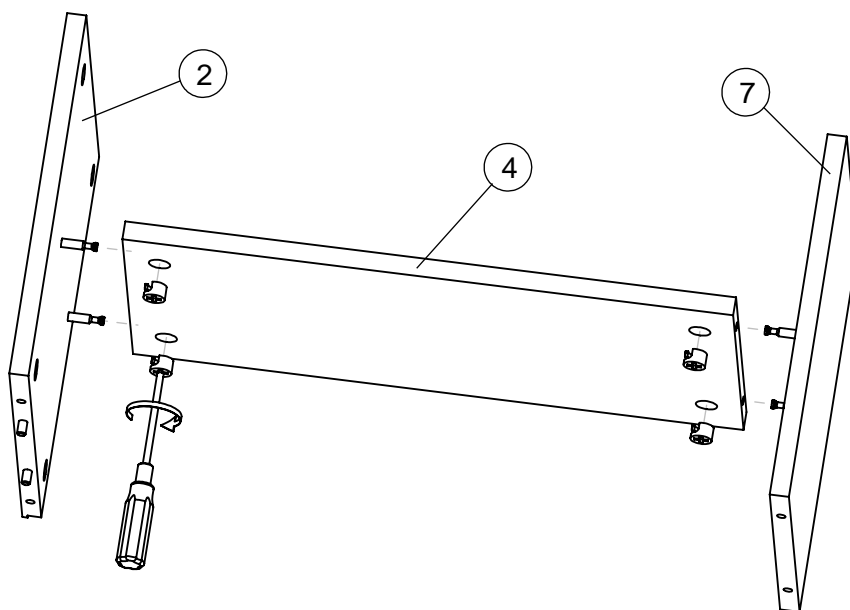
3.

BX12



4.

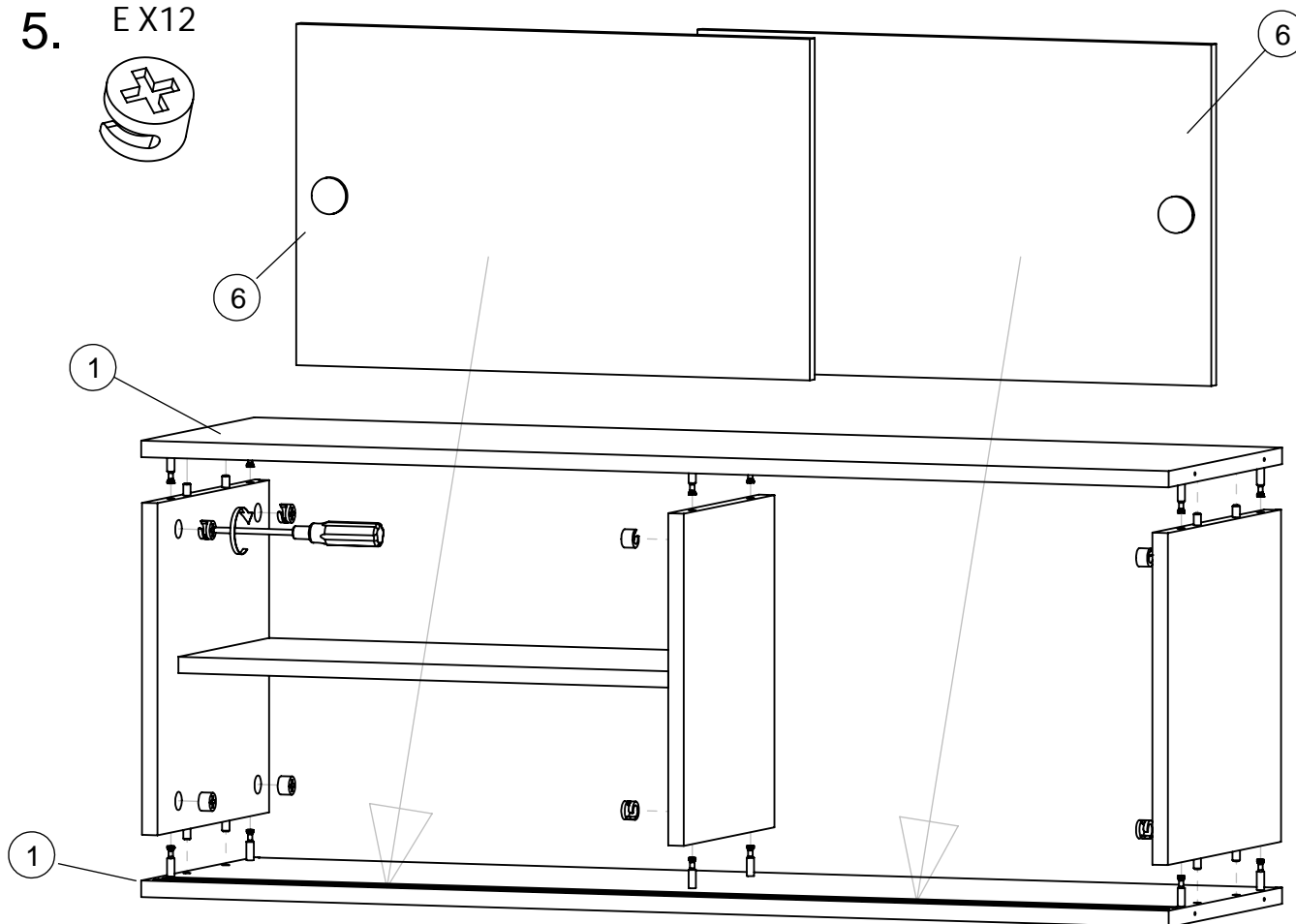
EX4



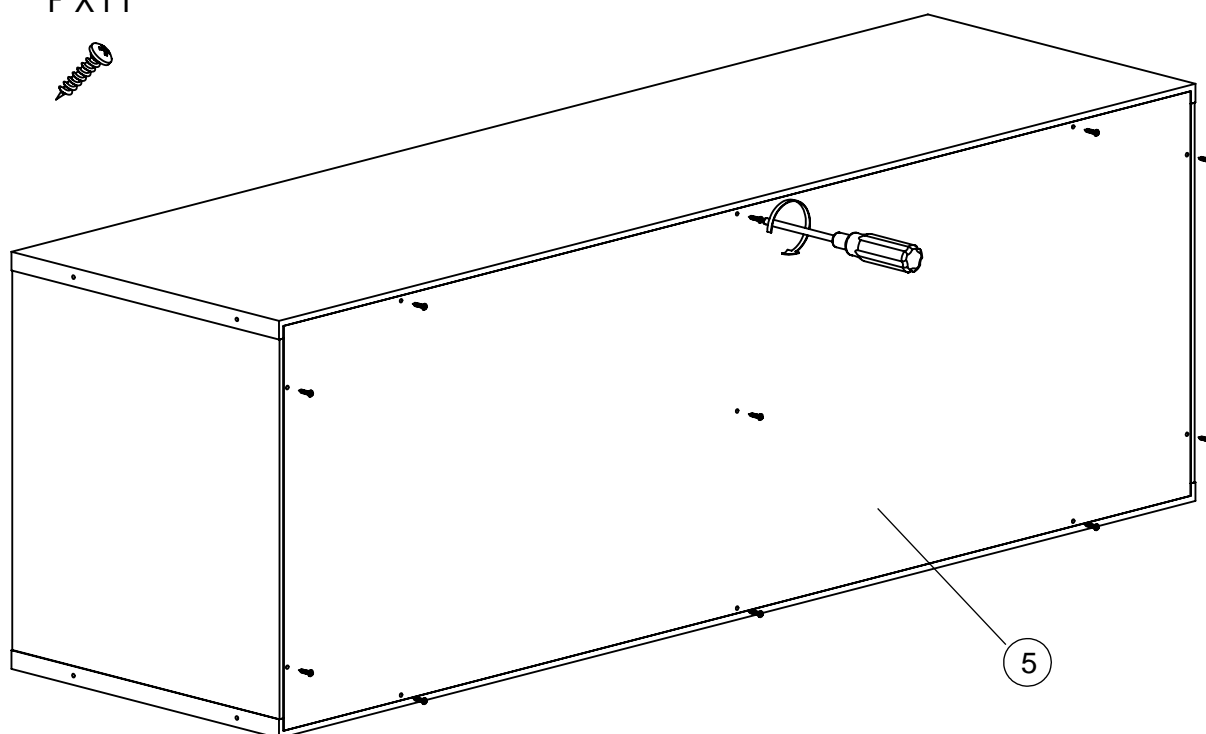
# Assembly Instruction

## 30053-125, 30053-130

5. EX12

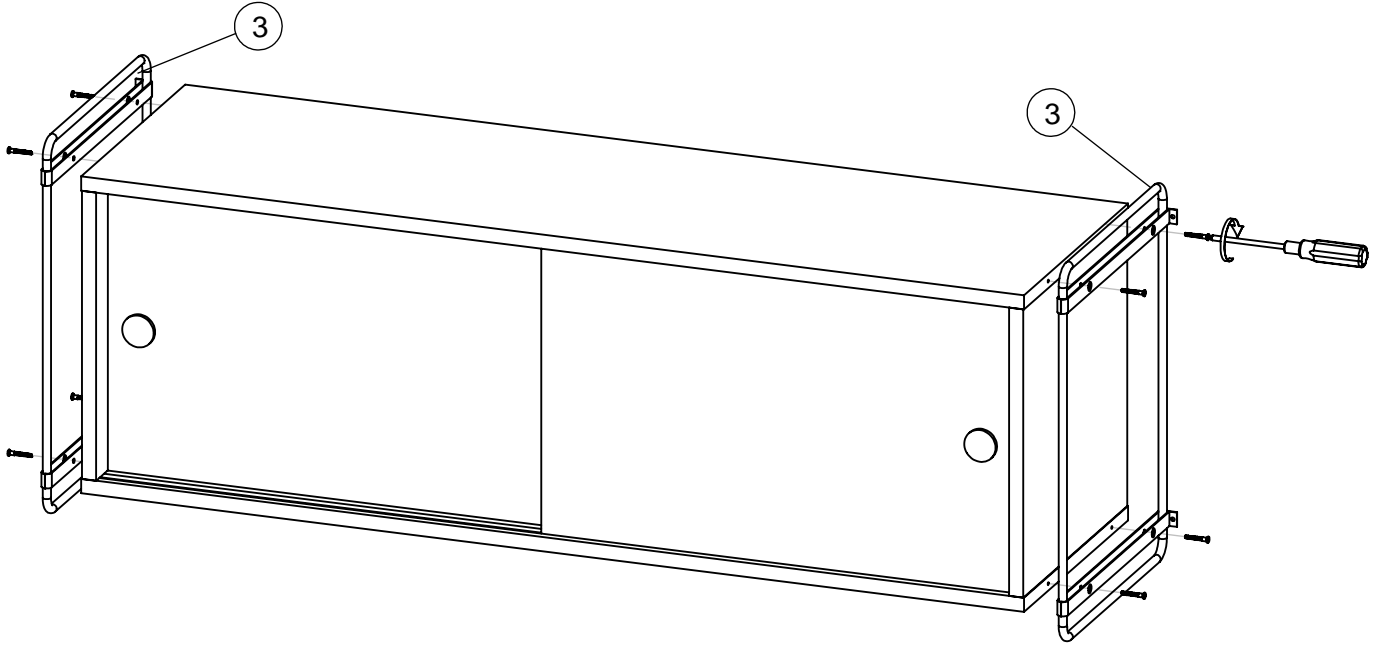
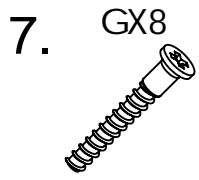


6. FX11

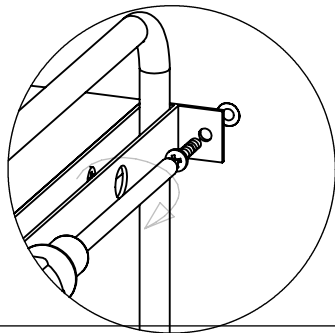


# Assembly Instruction

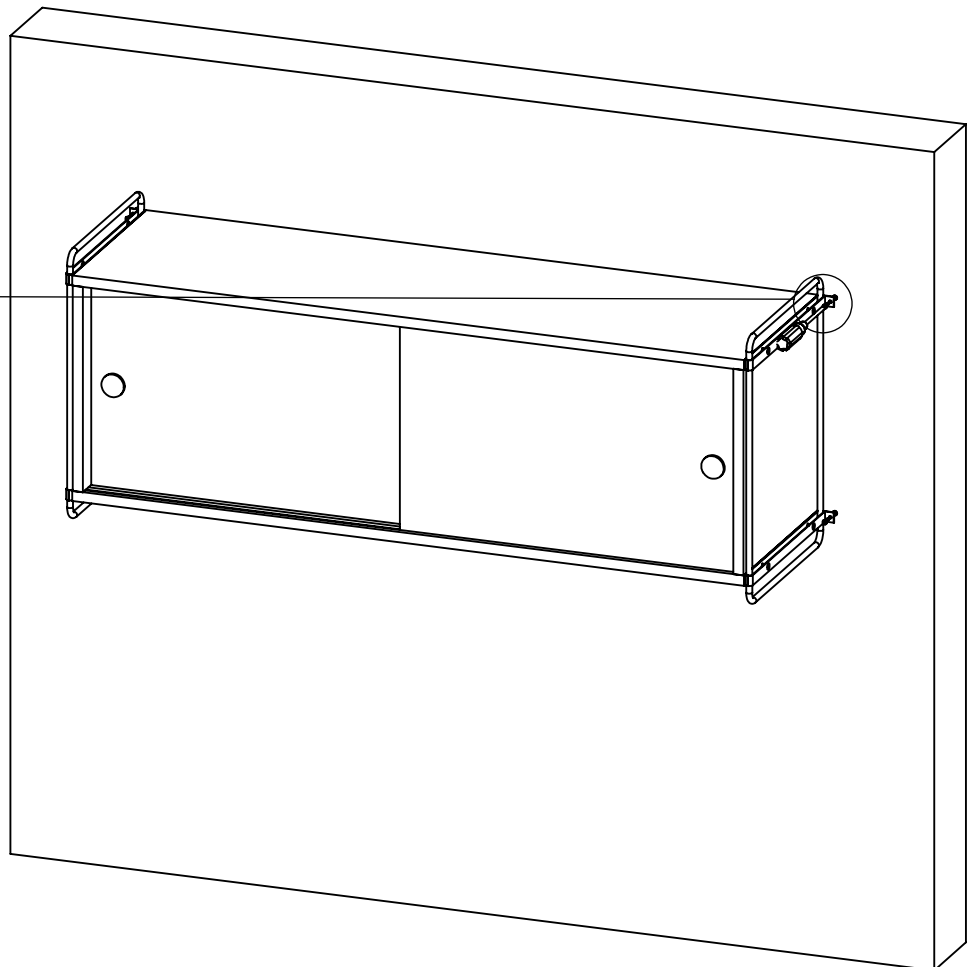
## 30053-125, 30053-130



8.



Screw and wallplug  
for the wall are  
not included



# Assembly Instruction

30053-125, 30053-130

---

