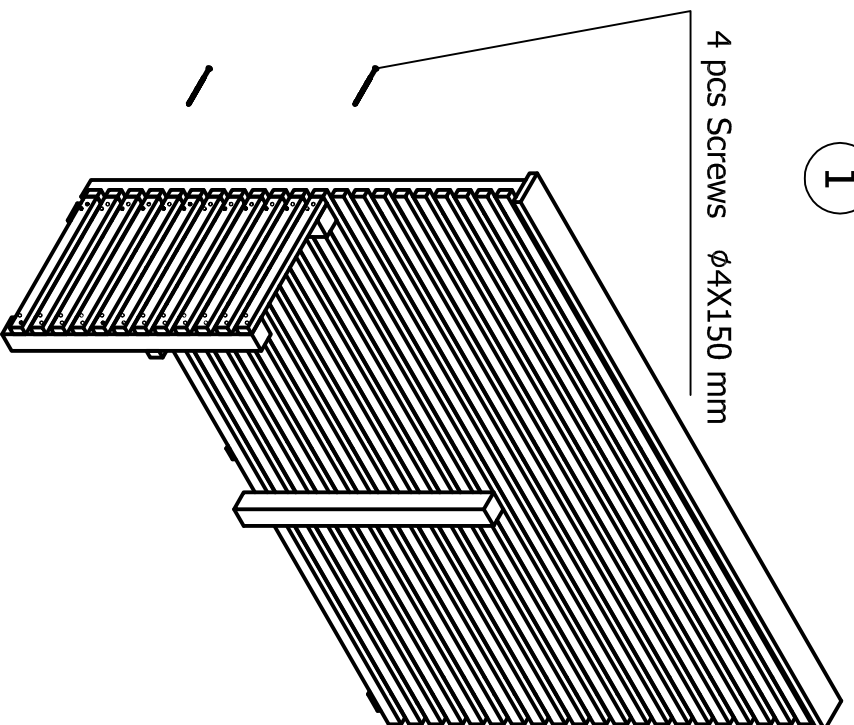


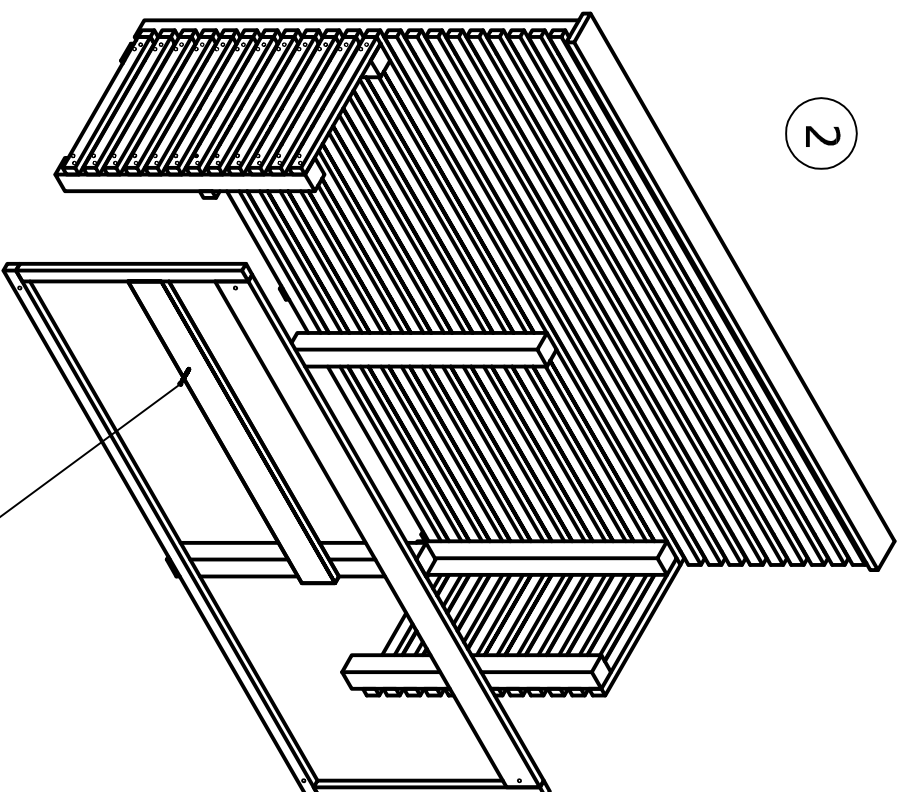
UTEKOK

1

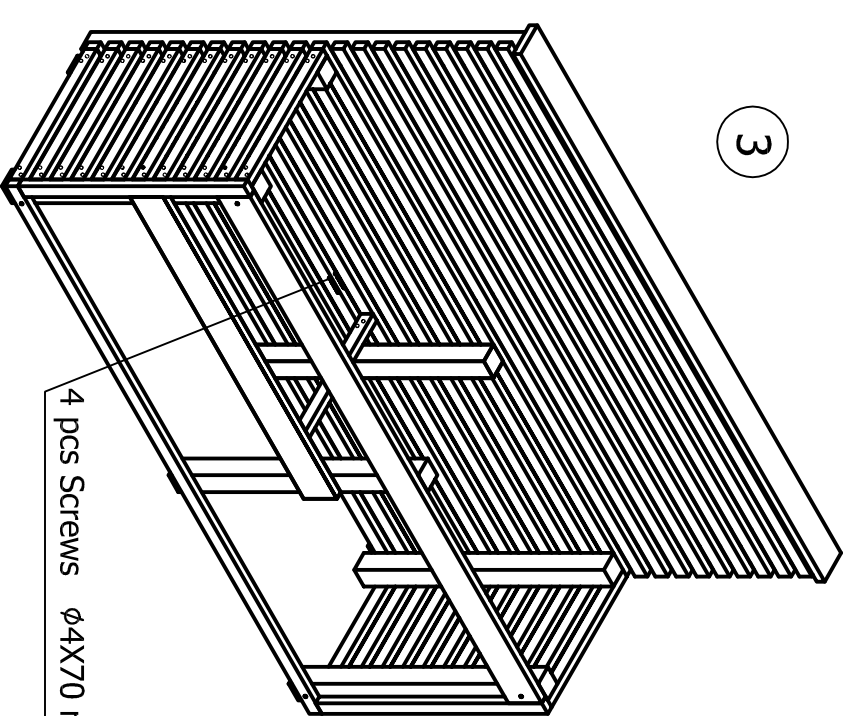
4 pcs Screws $\phi 4 \times 150$ mm



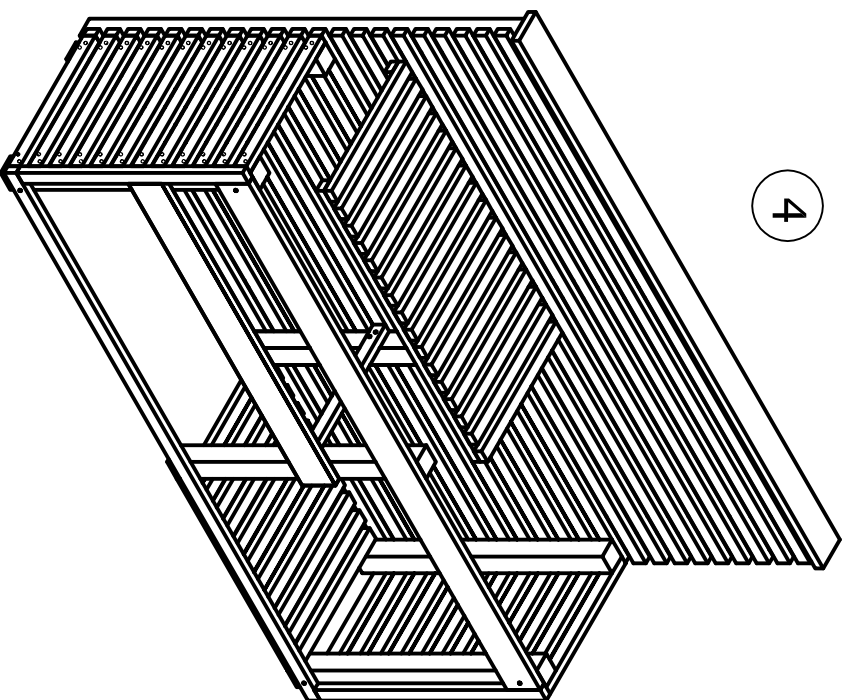
2



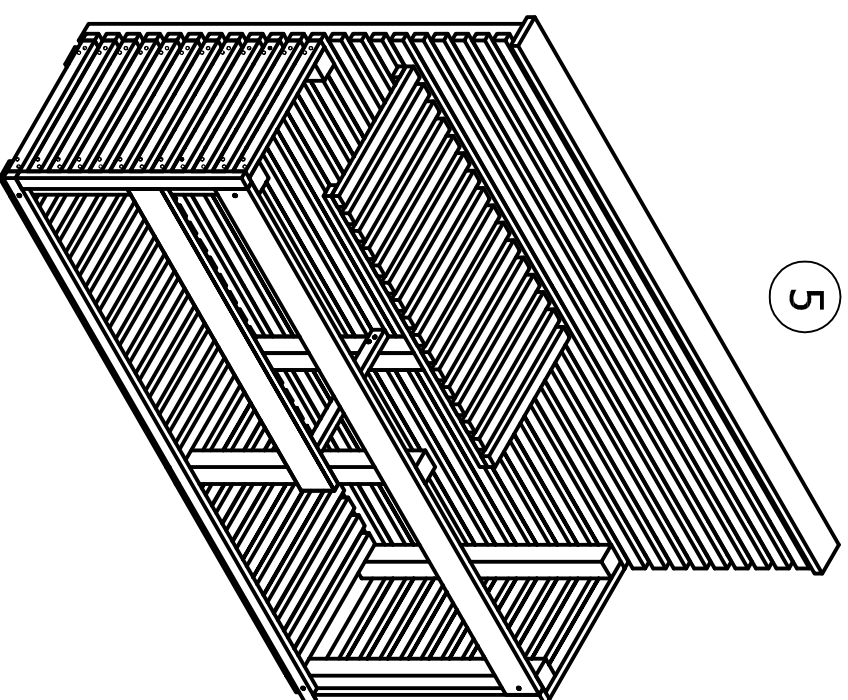
3



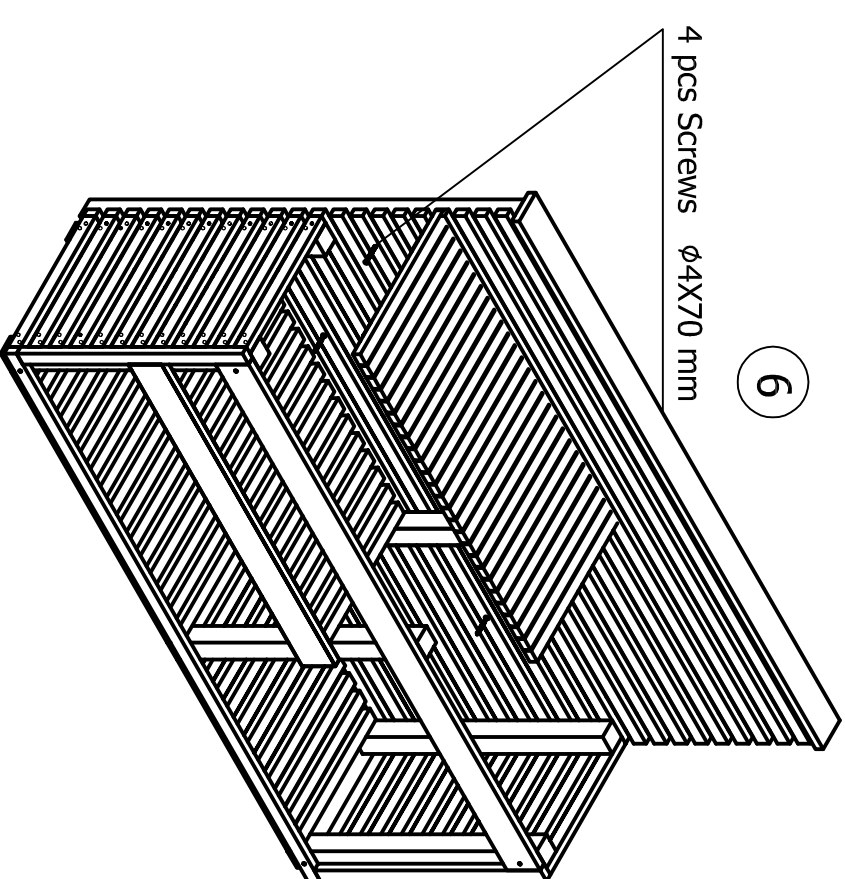
4



5



6



4 pcs Screws $\phi 4 \times 70$ mm

4 pcs Screws $\phi 4 \times 70$ mm

4 pcs Screws $\phi 4 \times 70$ mm