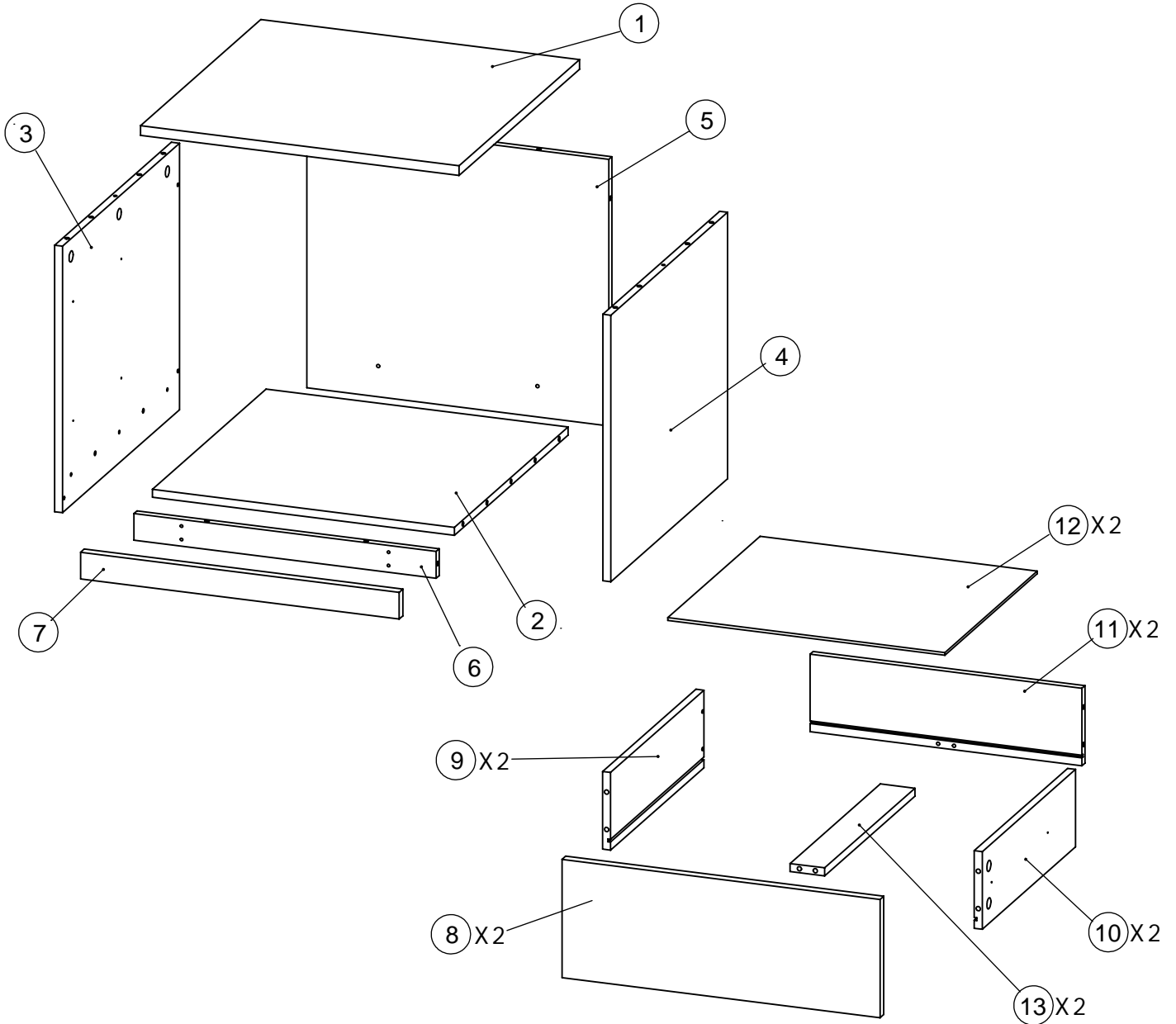
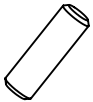


Assembly Instruction

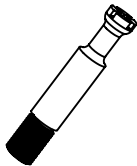
30071-102



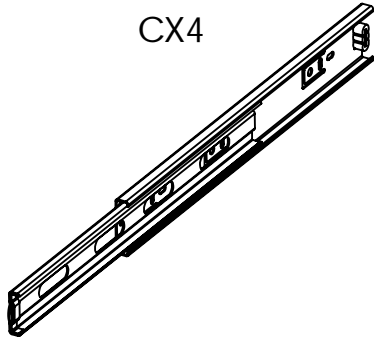
AX8



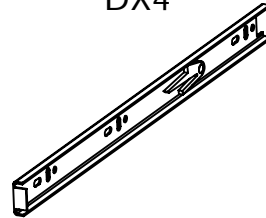
B X48



CX4



DX4



E X48



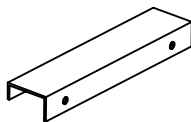
F X21



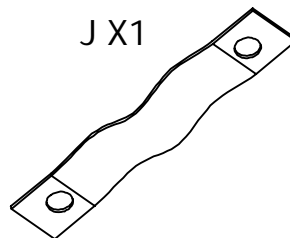
GX4



HX2



J X1



KX1



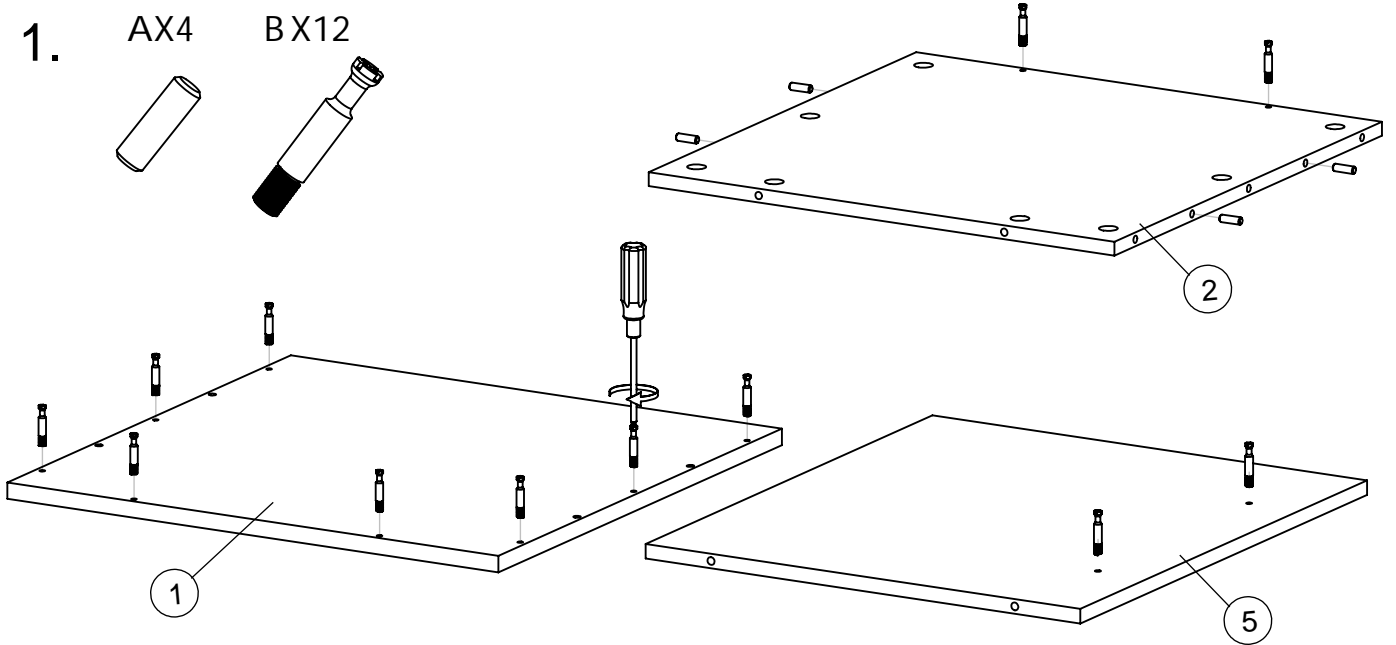
Assembly Instruction

30071-102

1.

AX4

BX12



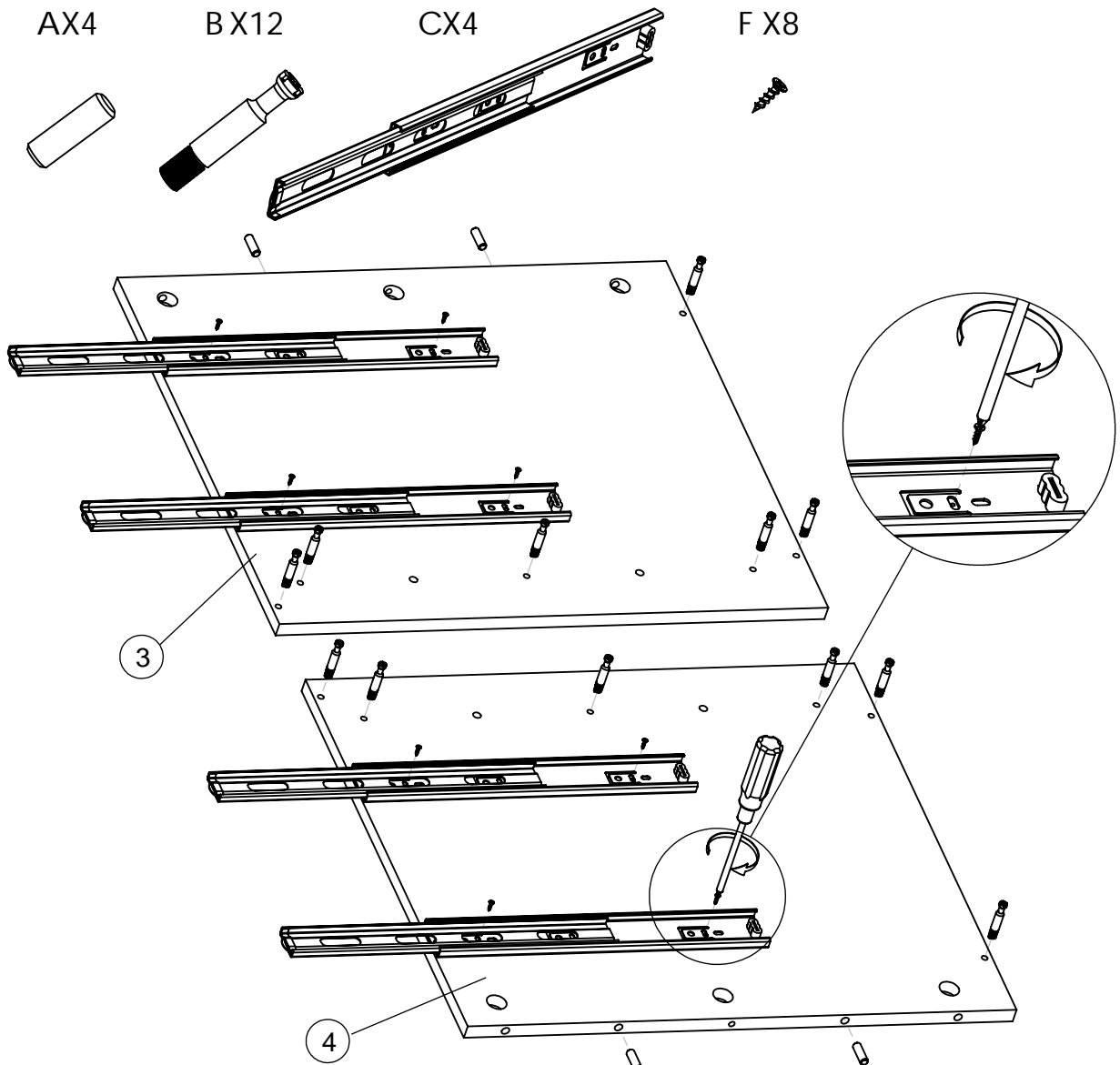
2.

AX4

BX12

CX4

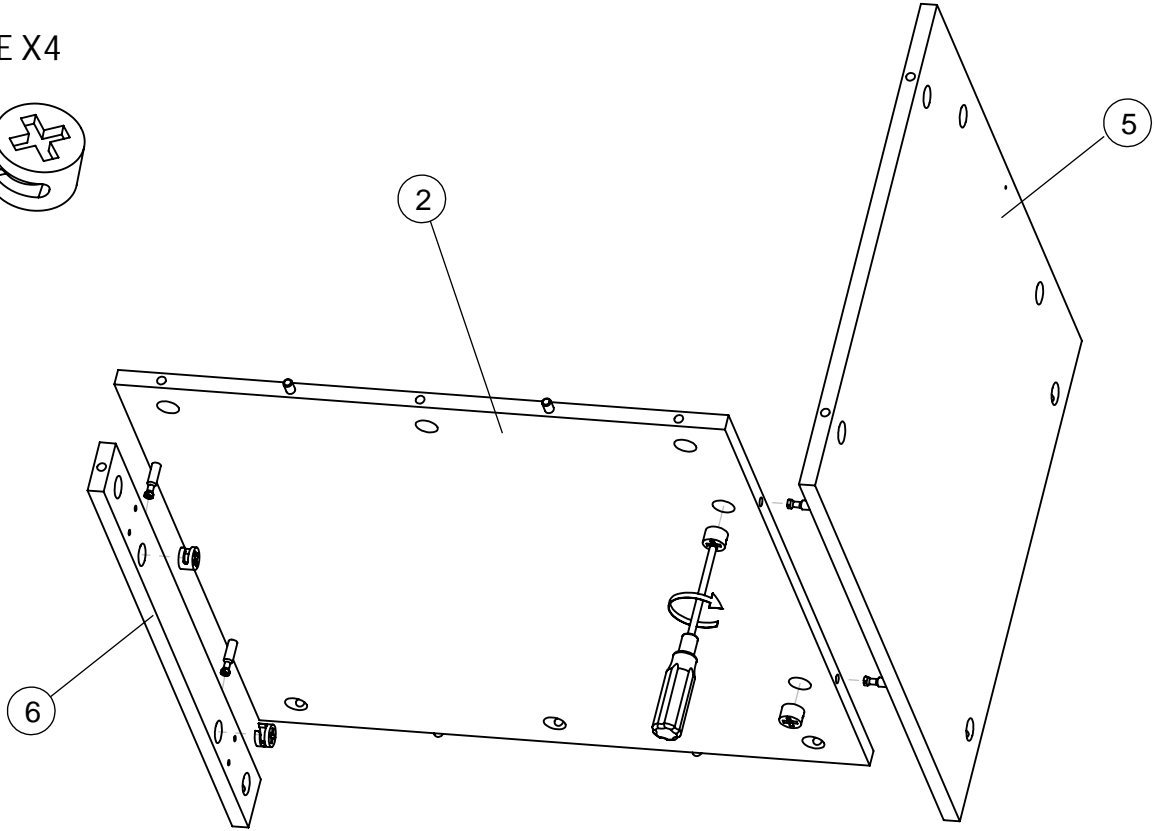
F X8



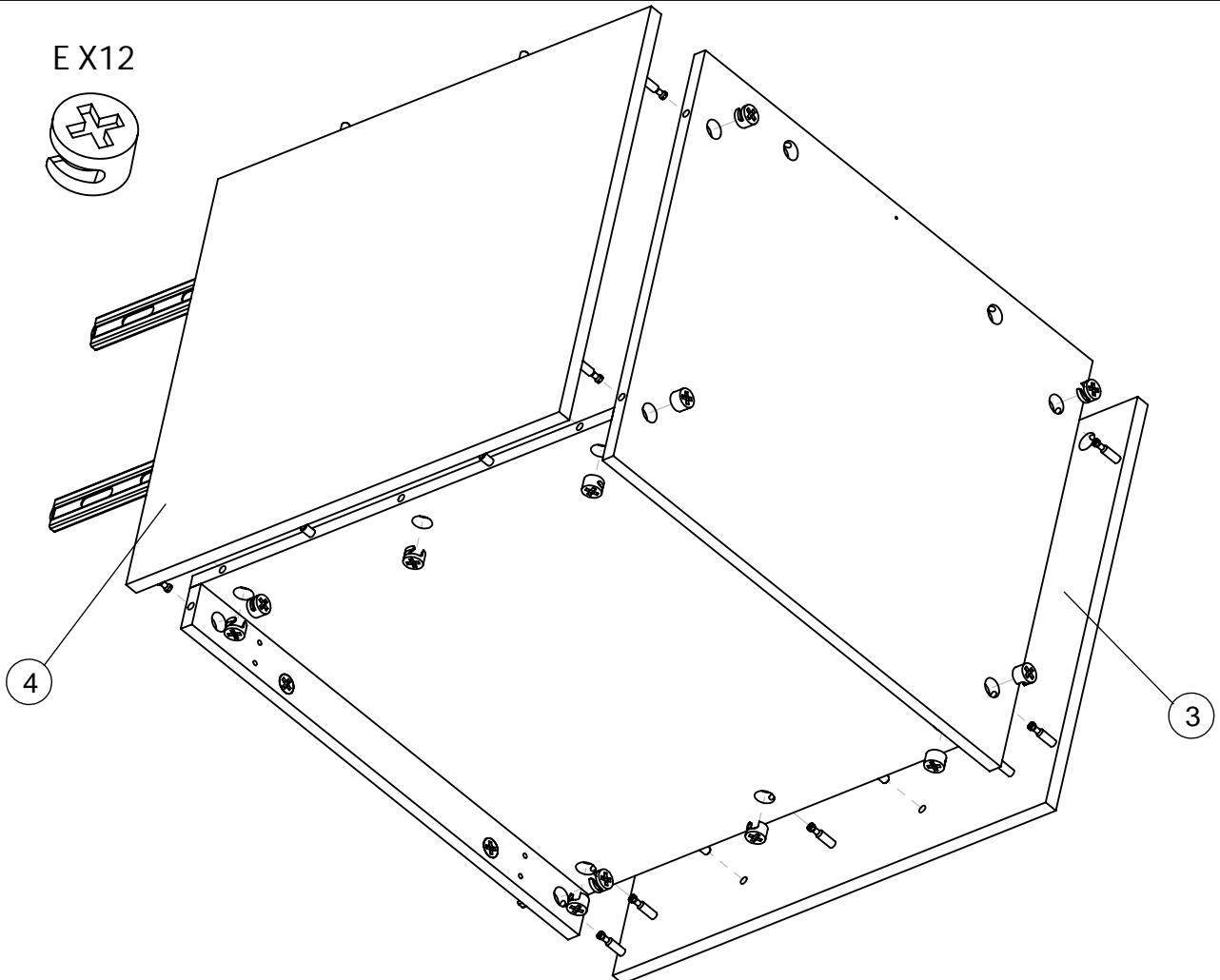
Assembly Instruction

30071-102

3. EX4



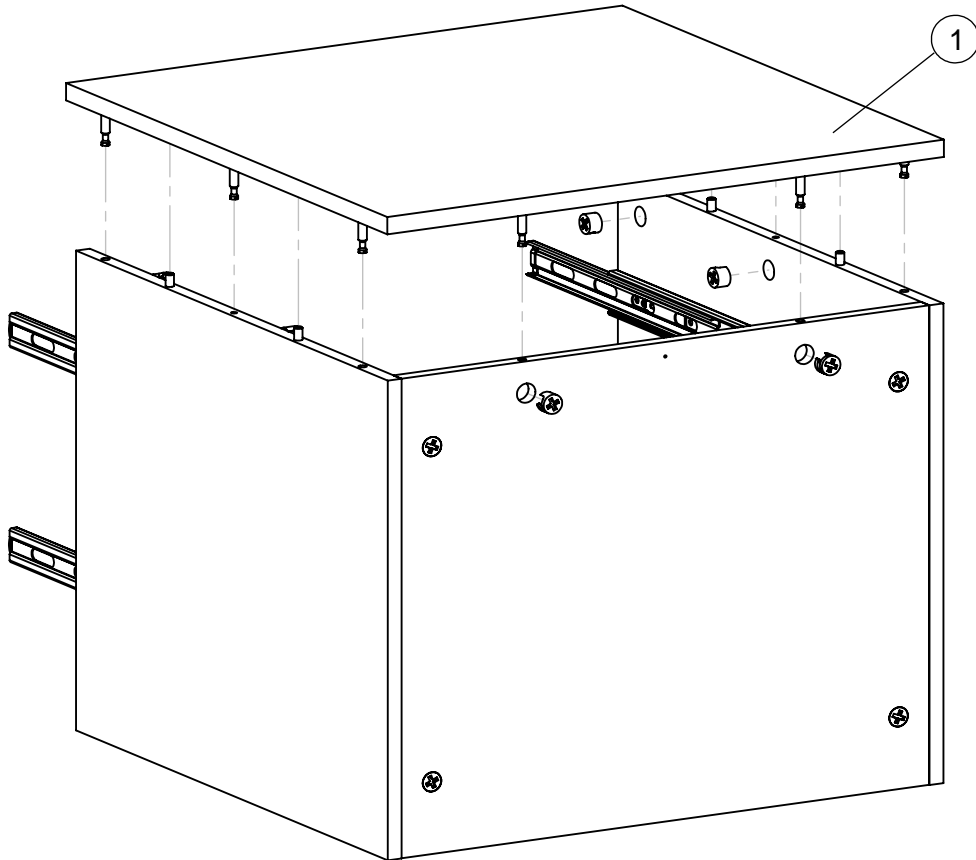
4. EX12



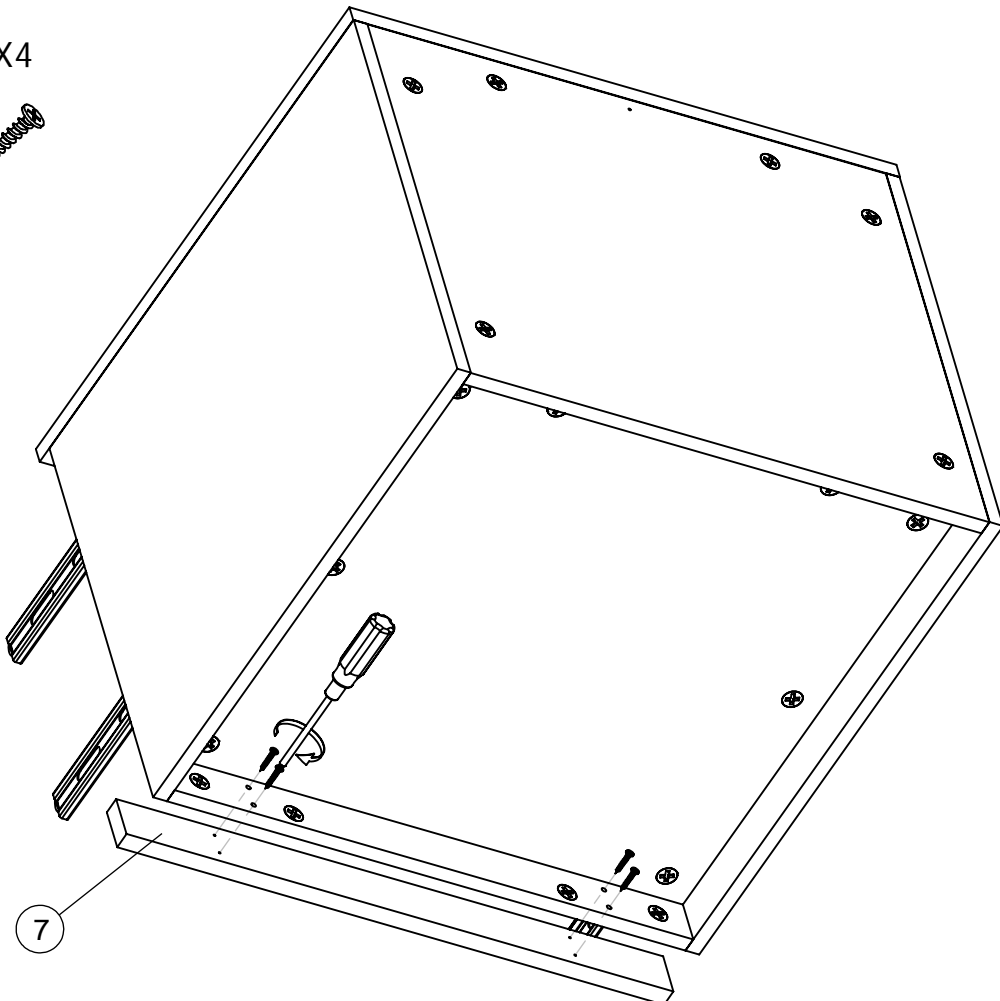
Assembly Instruction

30071-102

5. EX8



6. GX4



Assembly Instruction

30071-102

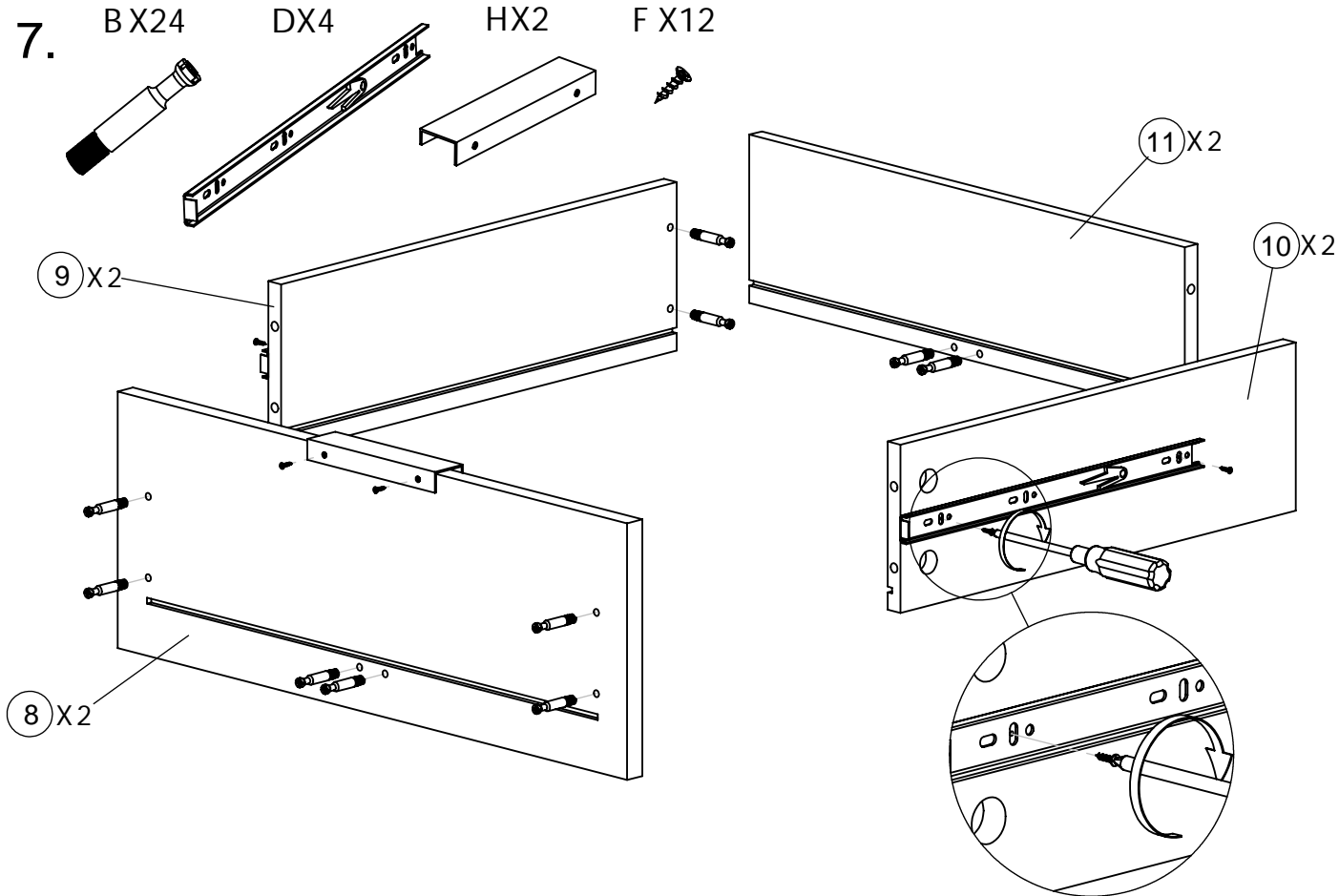
7.

B X24

DX4

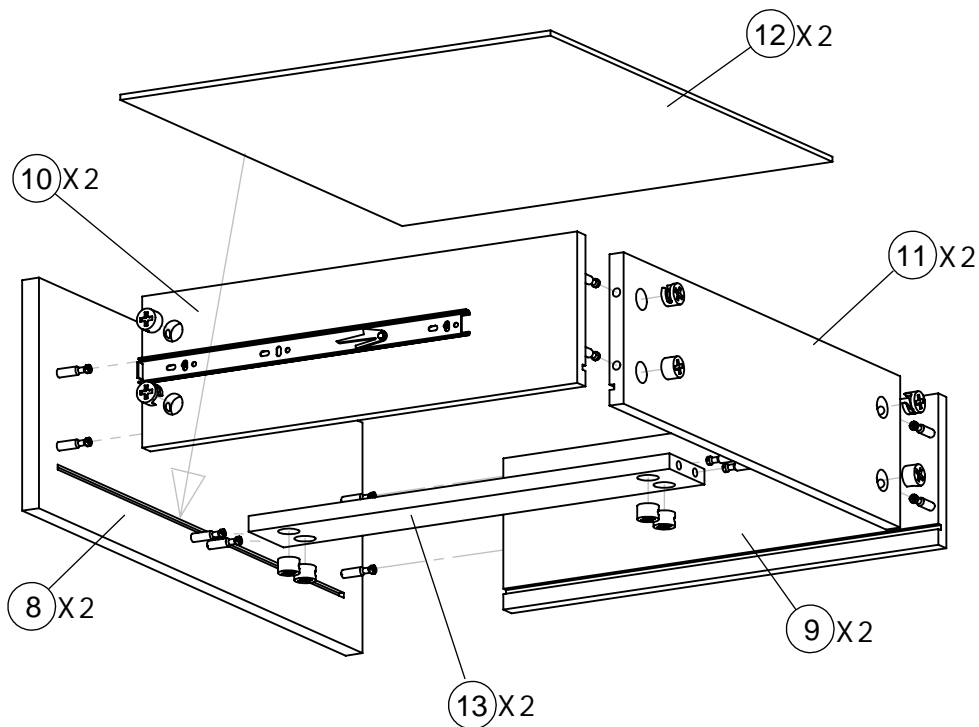
HX2

F X12



8.

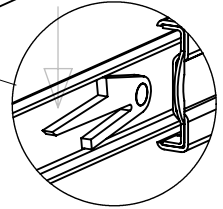
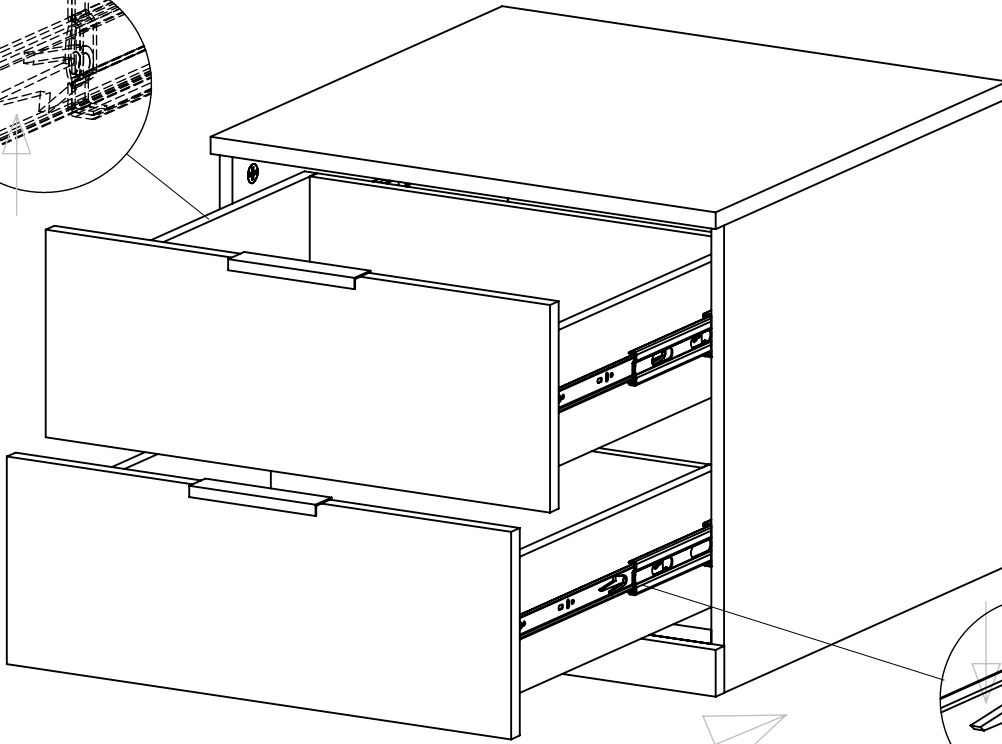
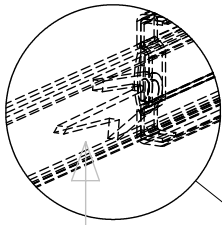
E X24



Assembly Instruction

30071-102

9.

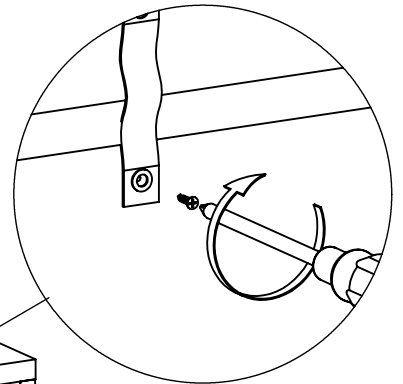
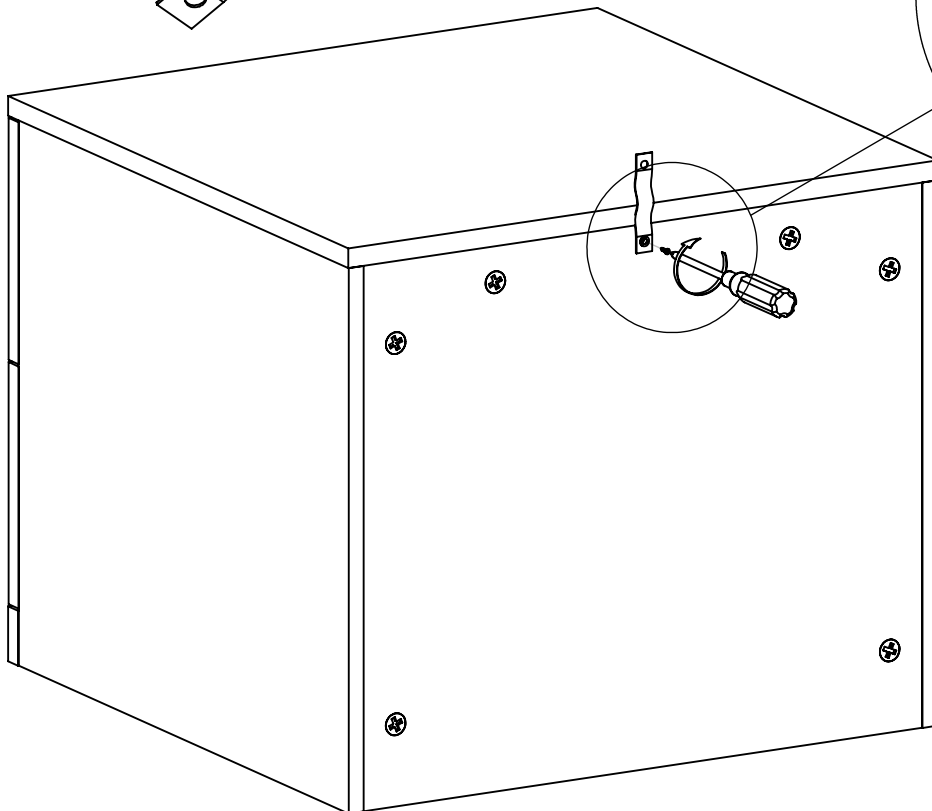
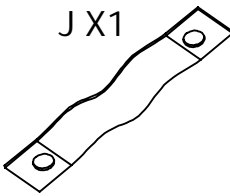


10.

FX1

JX1

KX1



Assembly Instruction

30071-102

