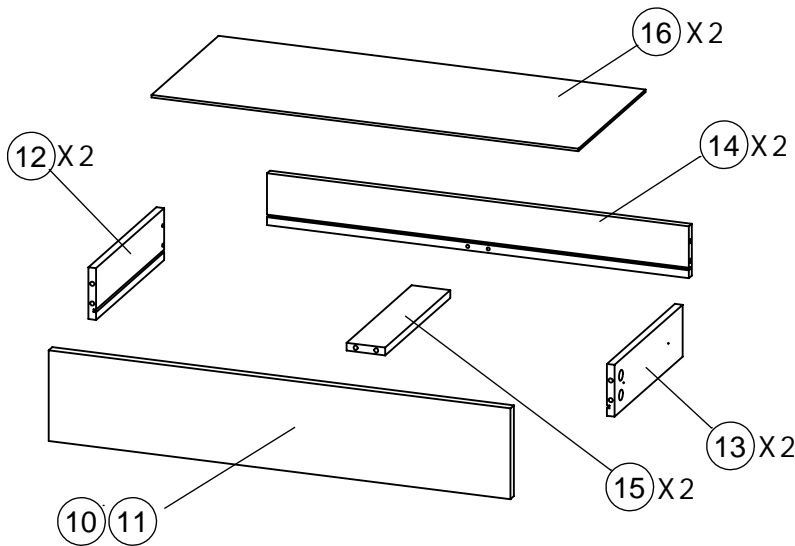
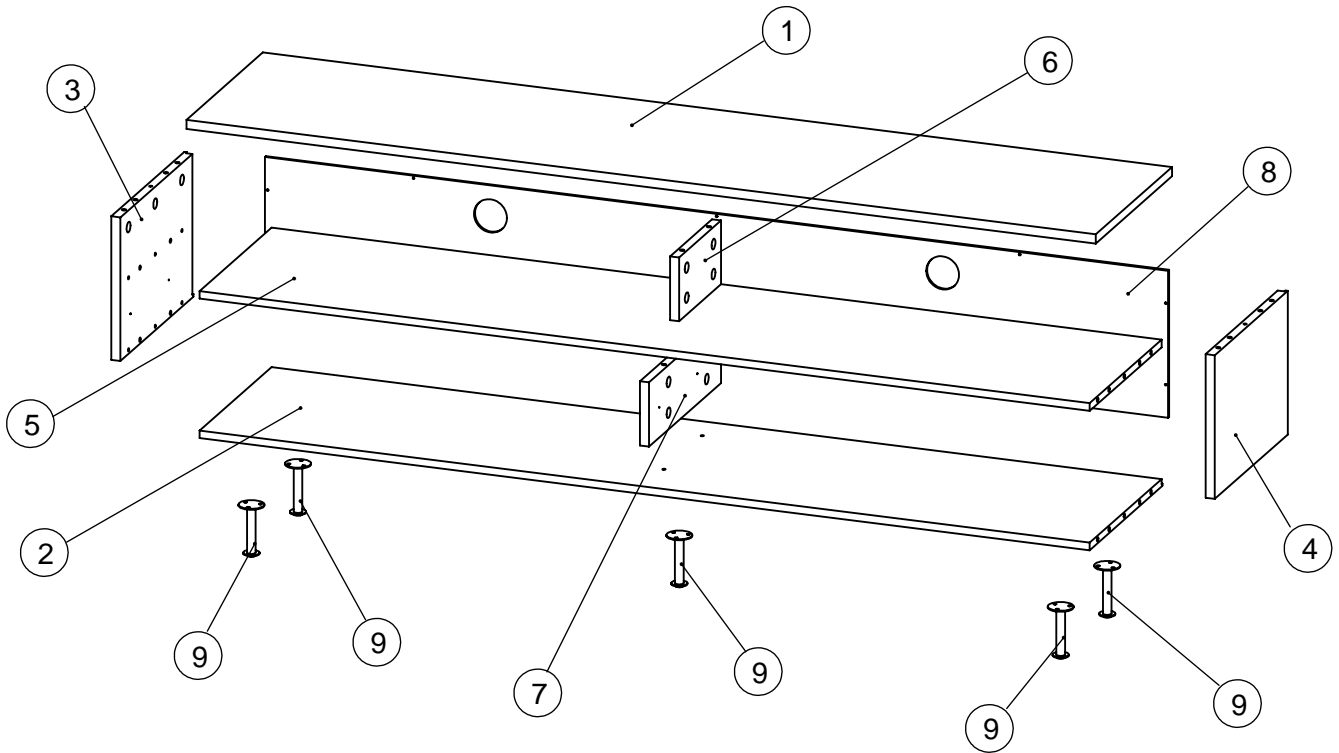
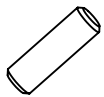


Assembly Instruction

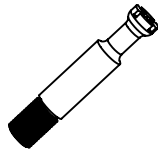
30167-100, 30167-130, 30167-331



AX12



B X50



CX50



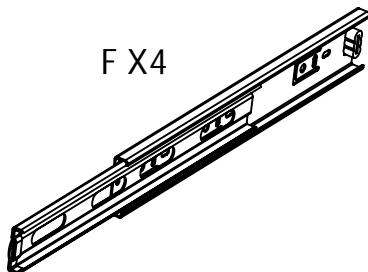
DX24



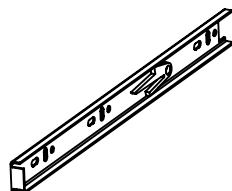
EX26



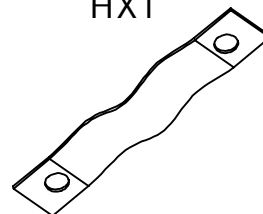
F X4



GX4



HX1

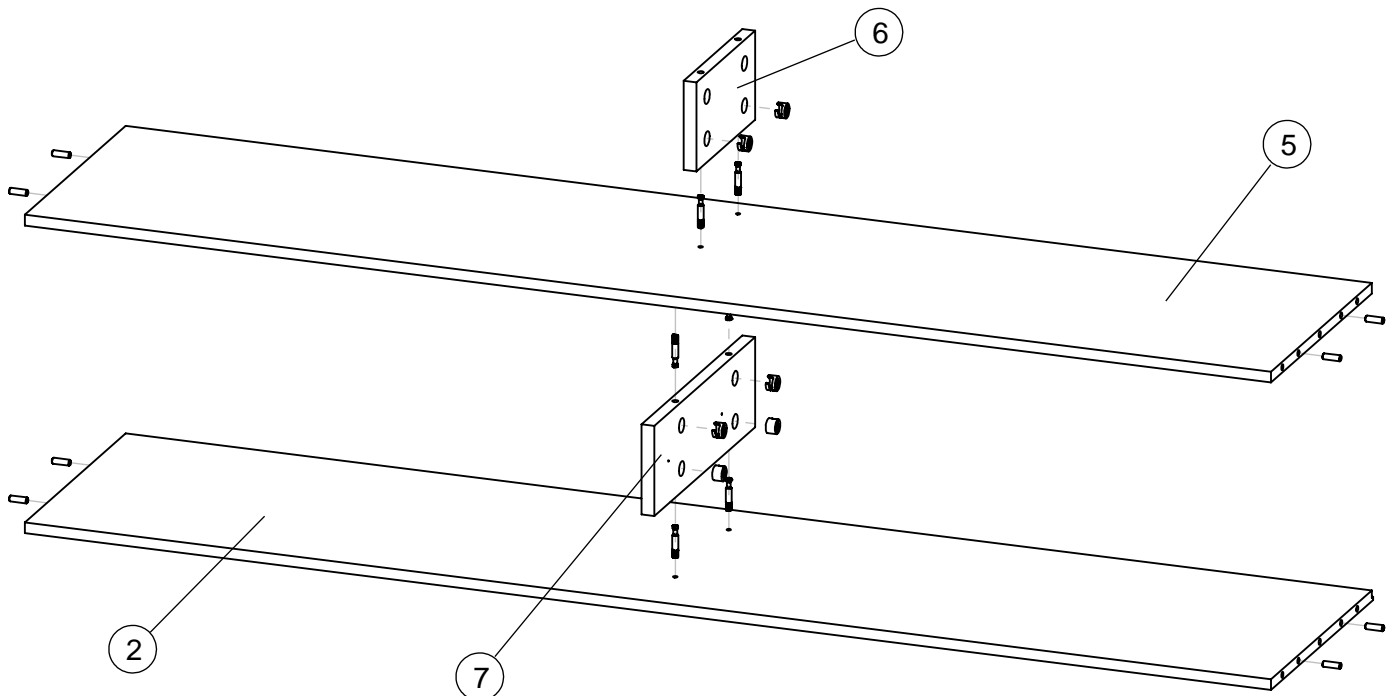
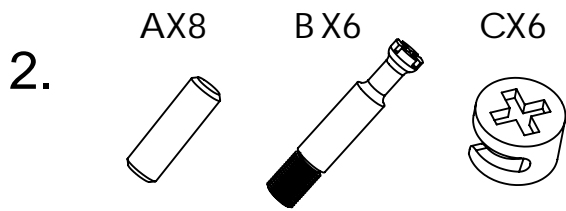
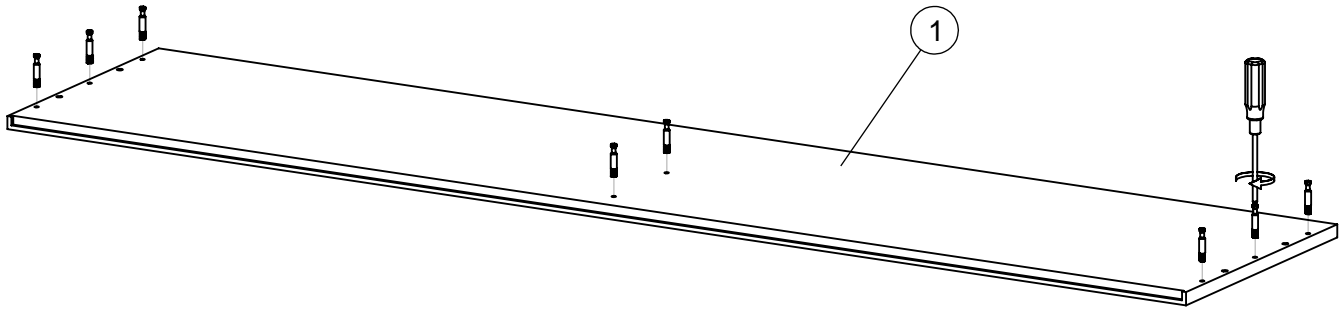
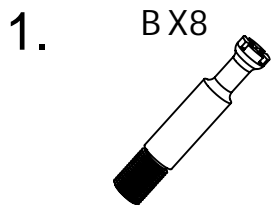


J X1



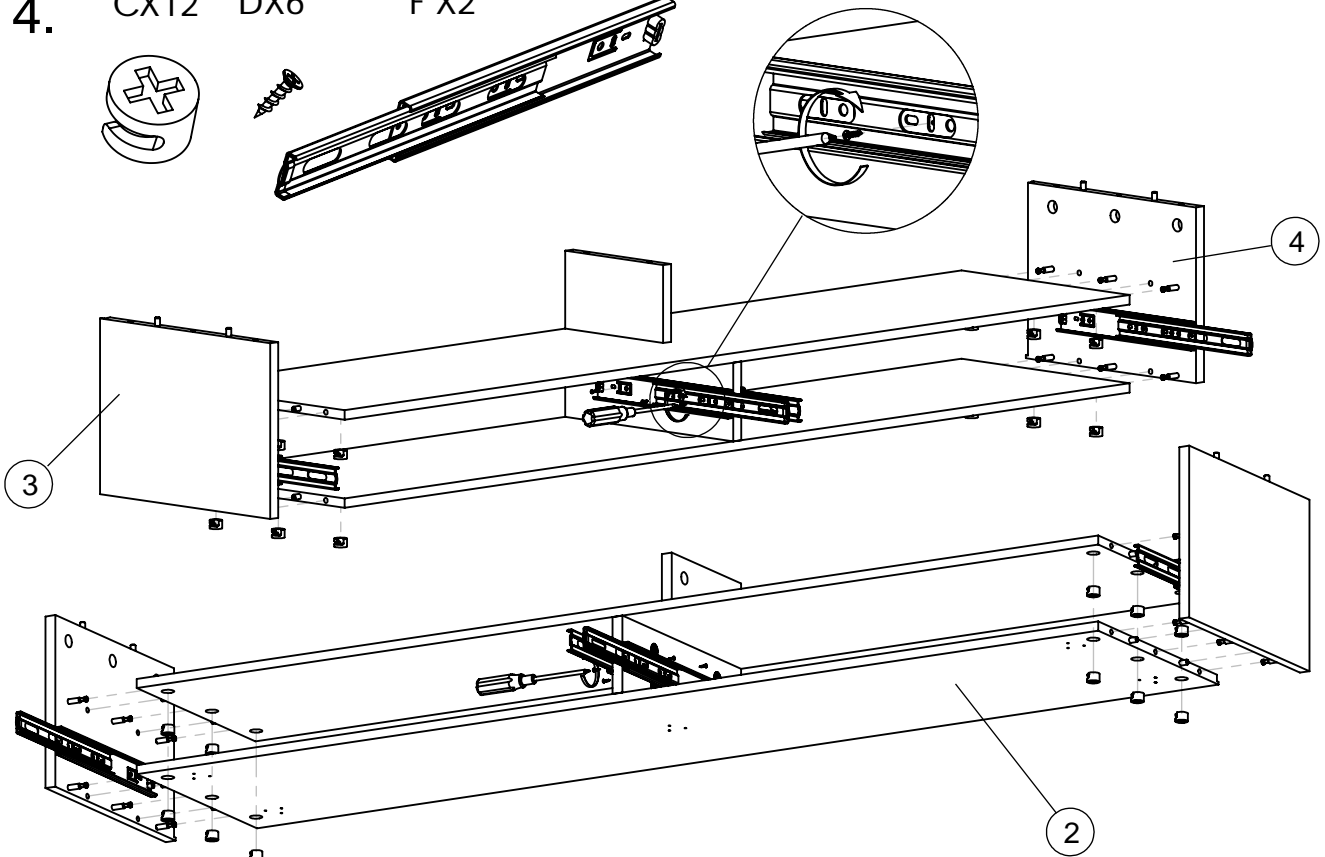
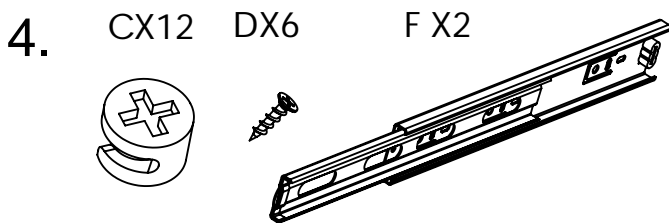
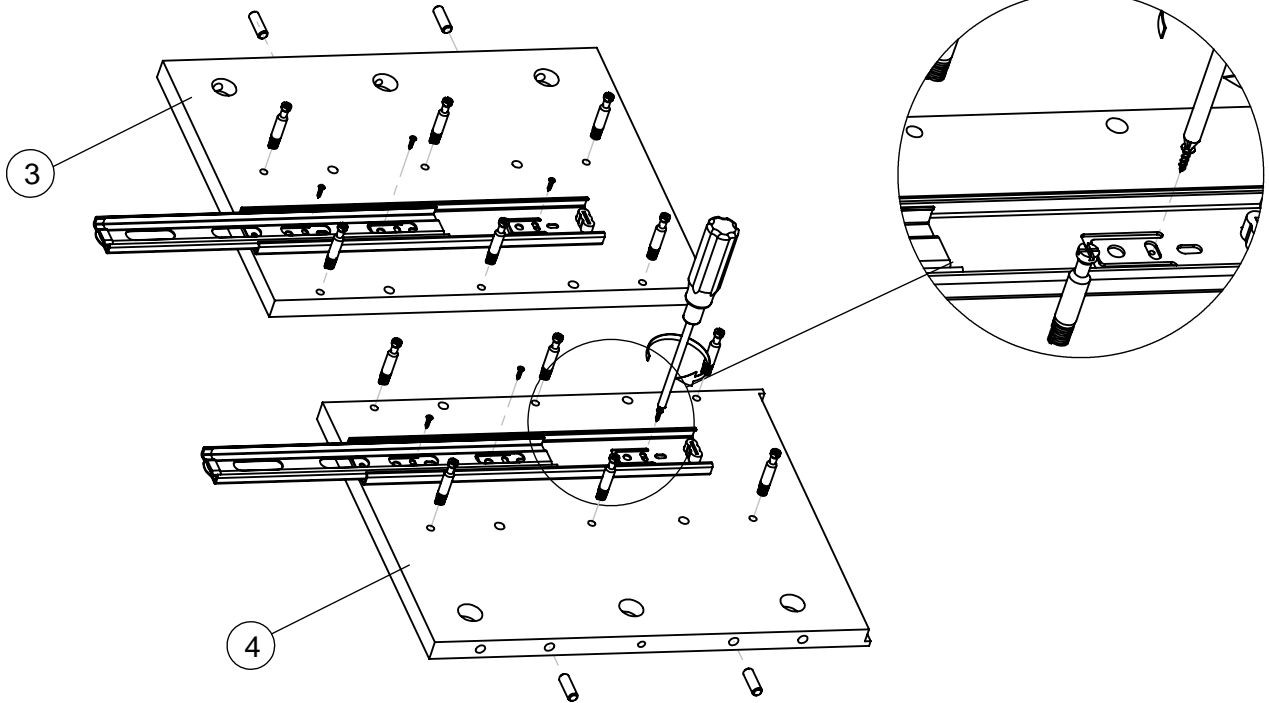
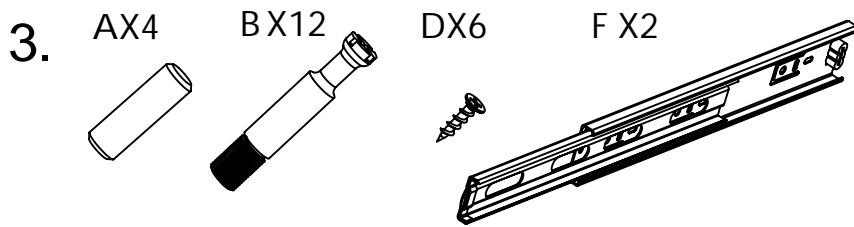
Assembly Instruction

30167-100, 30167-130, 30167-331



Assembly Instruction

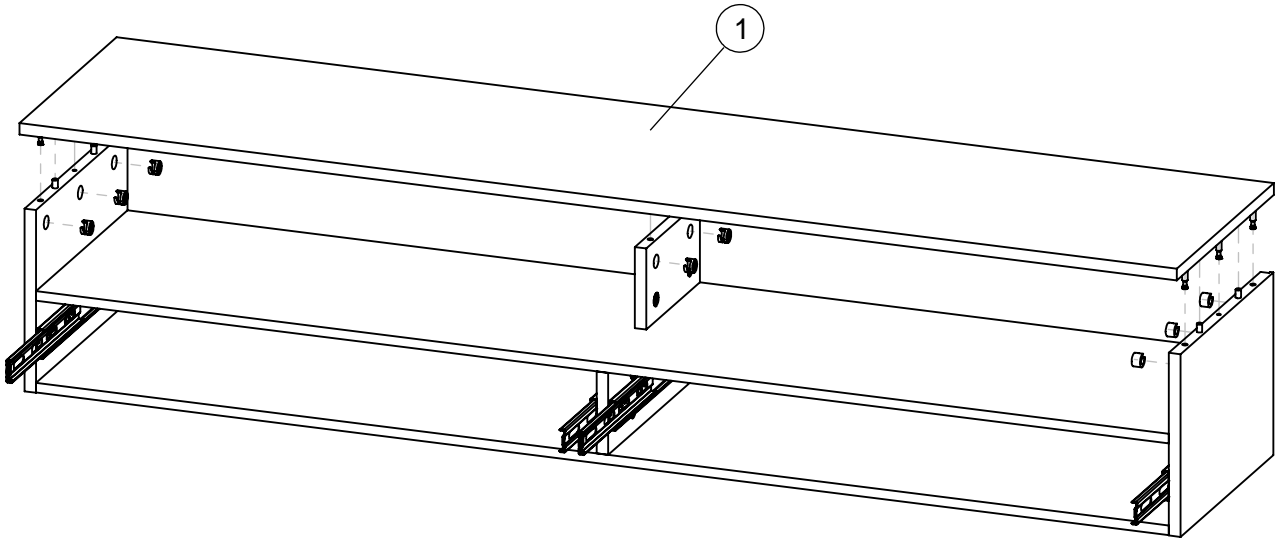
30167-100, 30167-130, 30167-331



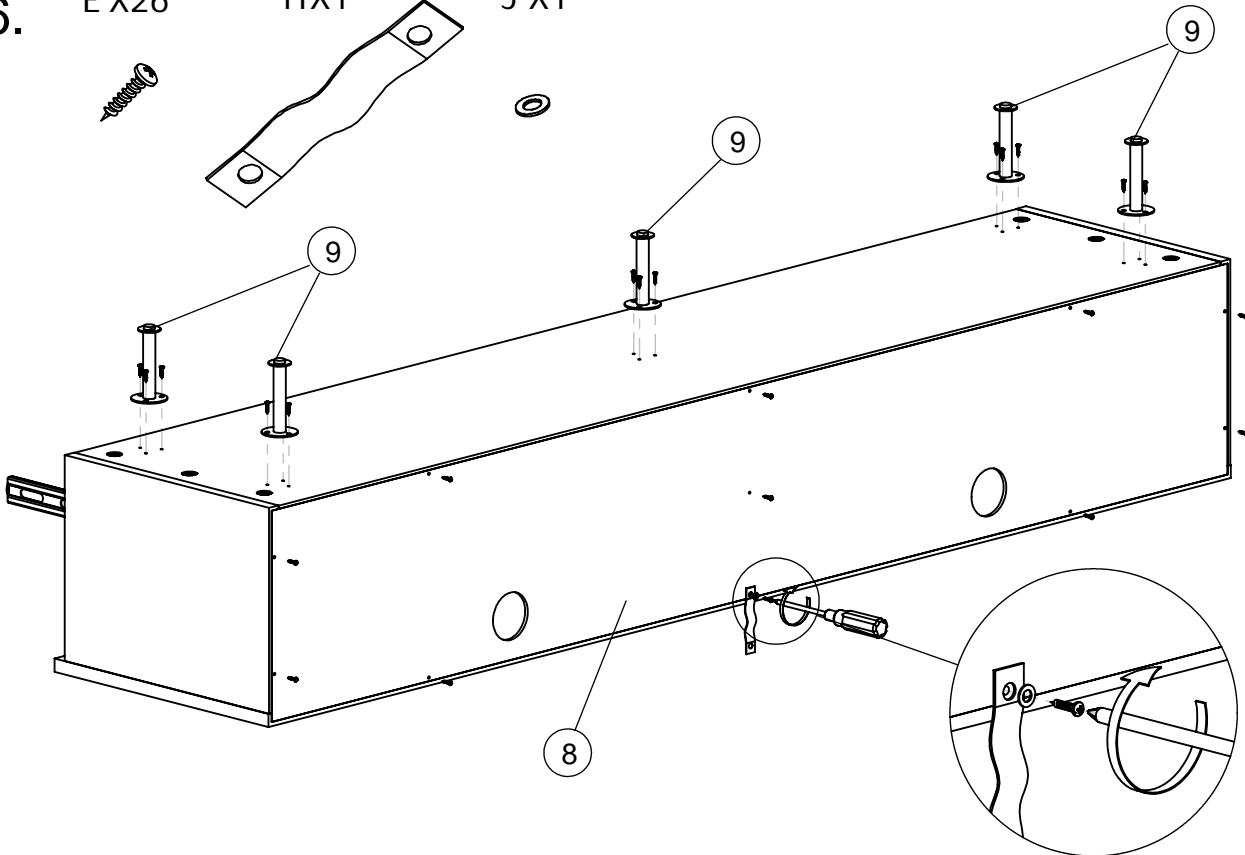
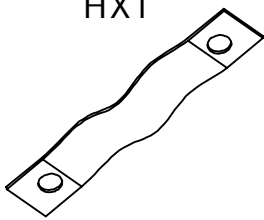
Assembly Instruction

30167-100, 30167-130, 30167-331

5. CX8



6. EX26 HX1 J X1



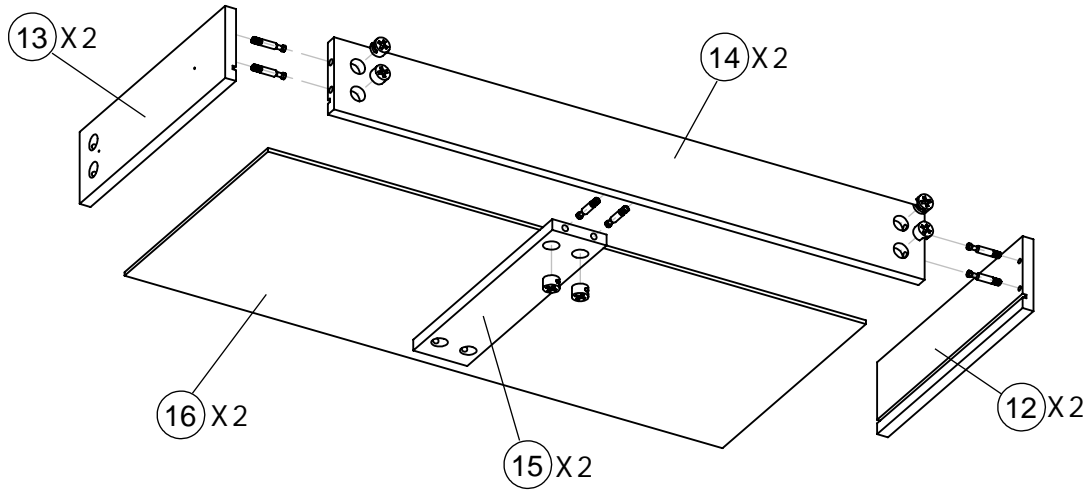
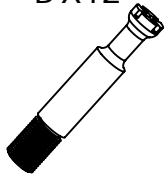
Assembly Instruction

30167-100, 30167-130, 30167-331

7.

BX12

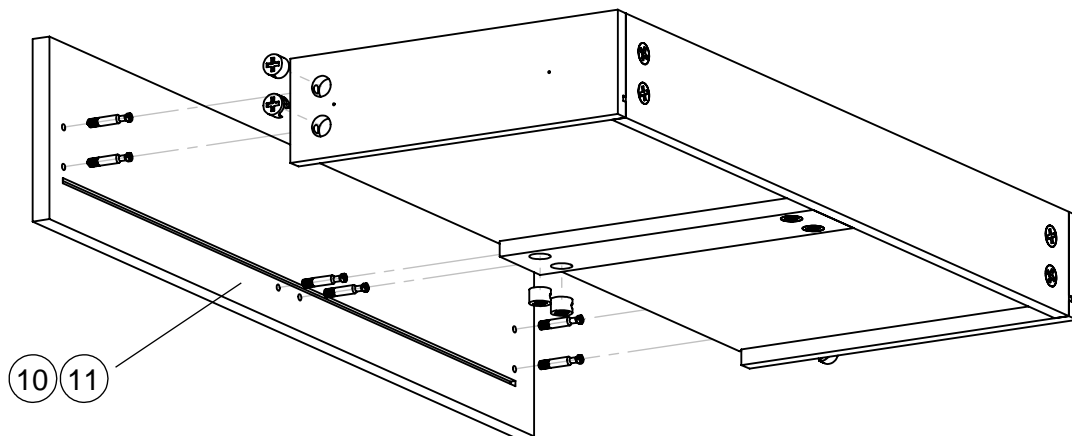
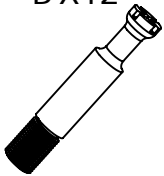
CX12



8.

BX12

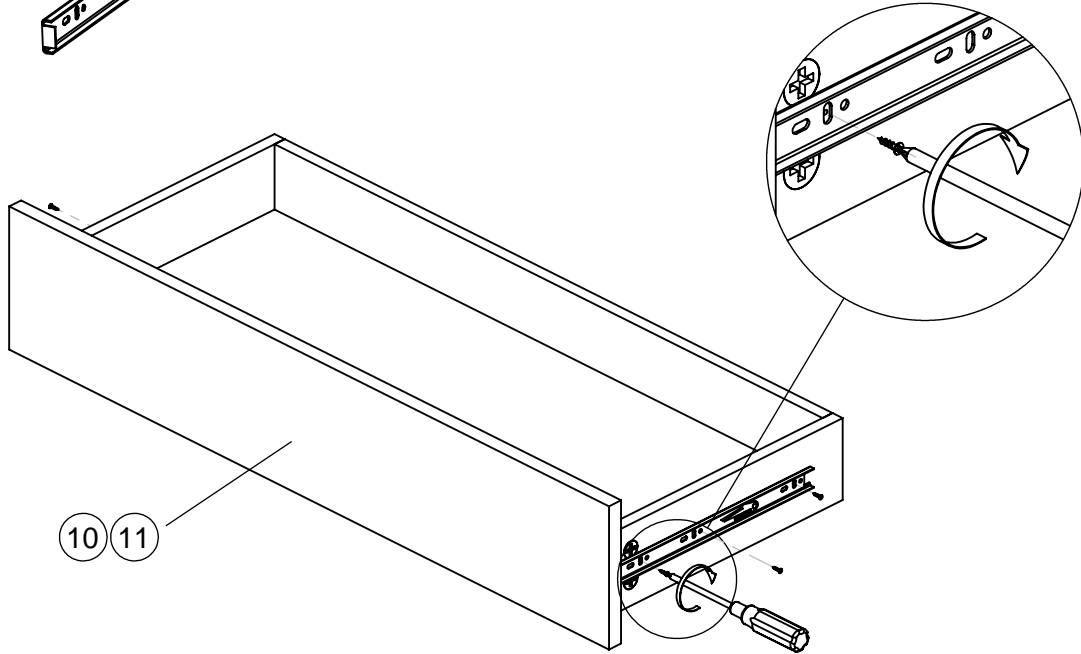
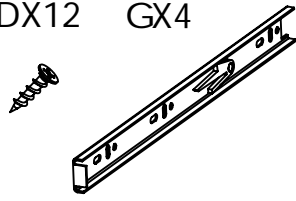
CX12



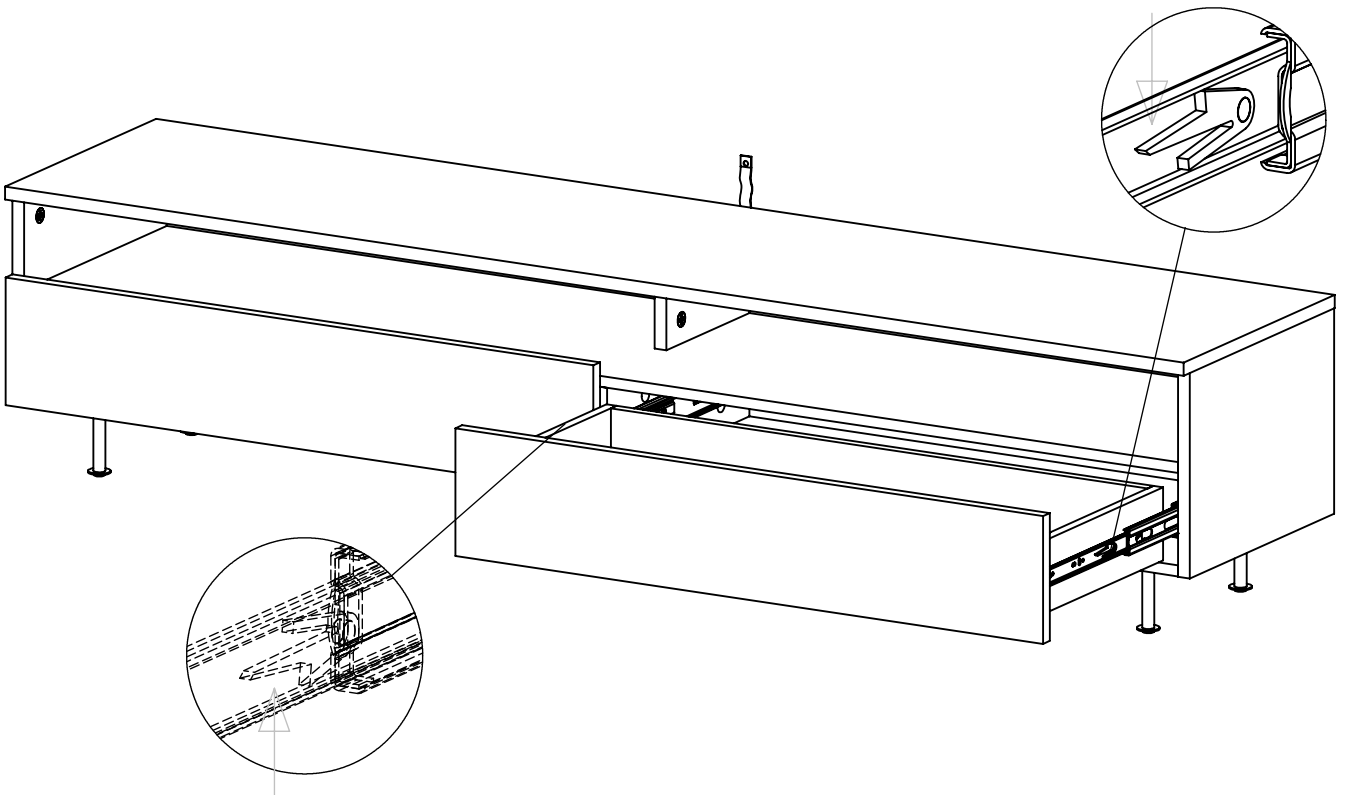
Assembly Instruction

30167-100, 30167-130, 30167-331

9. DX12 GX4



10.



Assembly Instruction

30167-100, 30167-130, 30167-331

