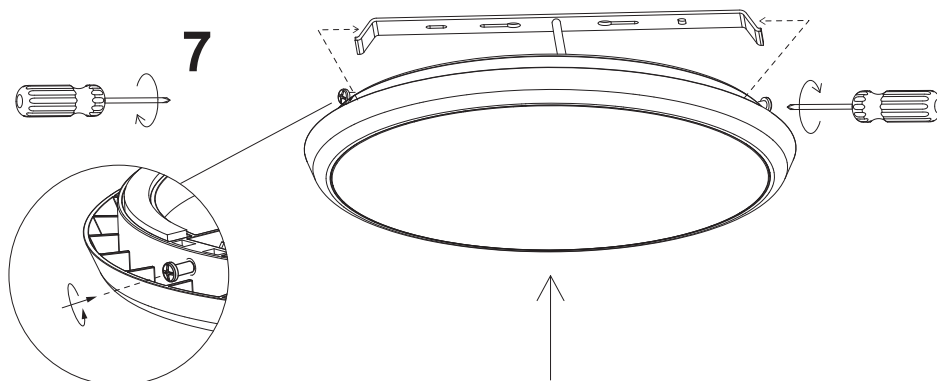
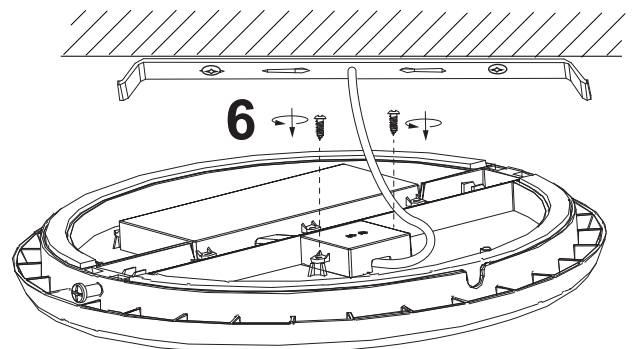
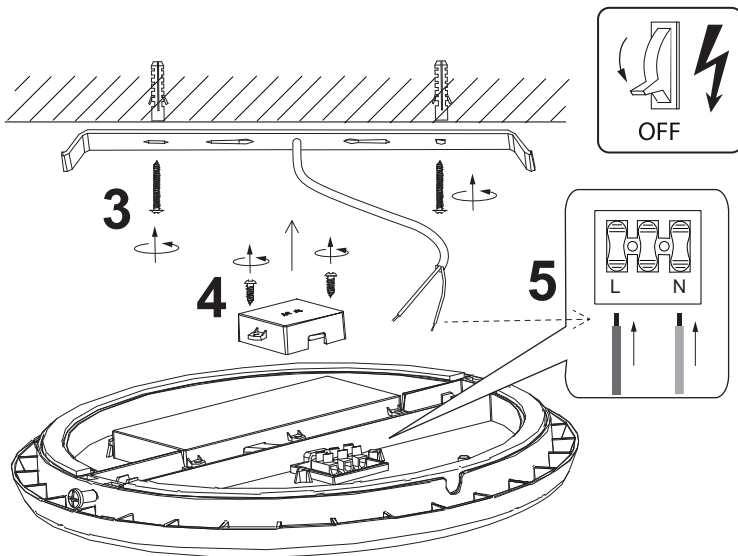
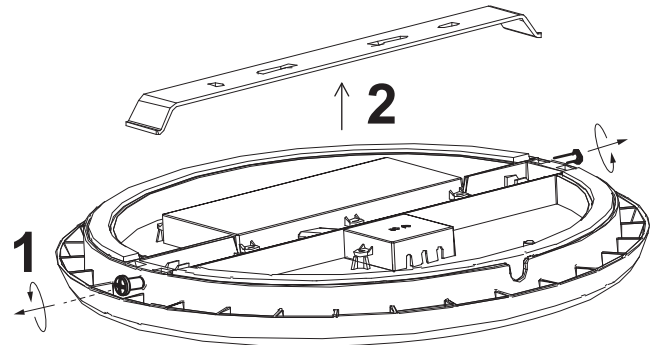
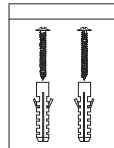
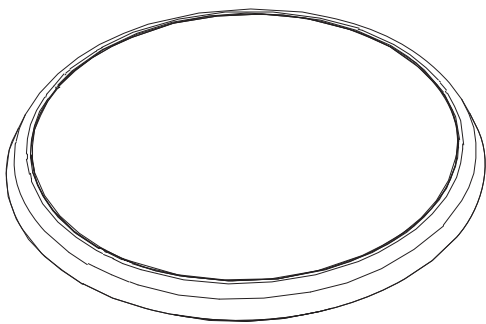
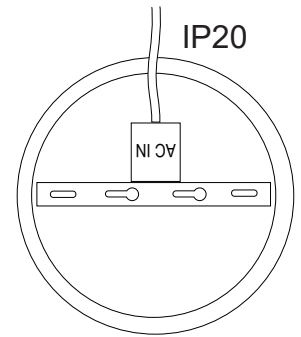
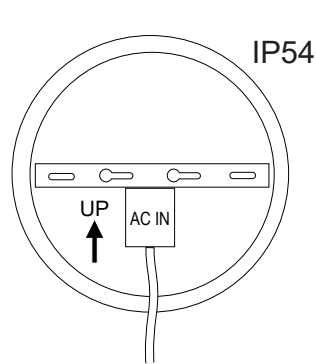
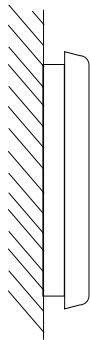
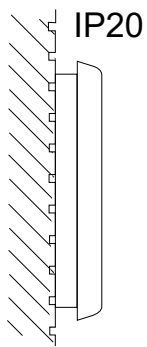
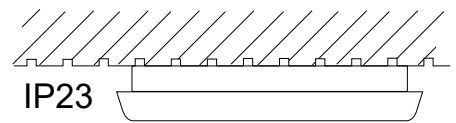
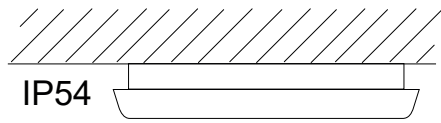


RONJA
66903-01
66904-01

www.aneta.no
www.aneta.se



ANETA
LIGHTING
LIGHTS FOR HOME AND WORK SINCE 1947

ANETA LIGHTING

LIGHTS FOR HOME AND WORK SINCE 1947

NO: LED-lyskilden og driveren i armaturen er ikke utskiftbare siden de er integrert i konstruksjonen. Når armaturens levetid er slutt skal den byttes ut og leveres til gjenvinning. 50000 tim ≈ 20 år (6 tim/dag)

SE: LED-ljuskällan och och drivdonet i armaturen är inte utbytbar, när ljuskällans livstid är slut ska hela armaturen bytas och lämnas till återvinning. 50000 tim ≈ 20 år (6 tim/dag)

FI: Valaisimen LED-valonlähde sekä LED-virtalähde ei voi vaihtaa koska ne on integroitu rakenteeseen. Kun valaisin saavuttaa käyttökänsä loppuun, se on korvattava uudella ja jätettävä ierrätettäväksi. 50 000 tuntia ≈ 20 vuotta (6 t/päivä)

EN: The LED light source and the control gear in the luminaire are not replaceable as they are integrated in the construction. When the luminaire reaches the end of its lifetime it shall be replaced and left for recycling. 50000 h ≈ 20 years (6 h/day)

66903-01

NO: Dette produktet inneholder en lyskilde med energieffektivitetsklasse D.

SE: Denna produkt innehåller en ljuskälla med energieffektivitetsklass D.

FI: Tämä tuote sisältää valonlähteen, jonka energiatehokkuusluokka on D.

EN: This product contains a light source of energy efficiency class D.

Light Source data:

Lighting technology used:LED	Dimmable:yes	CRI:≥ 80
Mains or non-mains:non-mains	Energy consumption in on-mode: ..16 kWh / 1000 h	R9 color rendering index:10
Directional or non-directional:non-directional	Energy efficiency class (A-G): D	Chromaticity coordinates (X, Y): 0.440, 0.403
Connected L.S.:no	Useful luminous flux:.....2450 lm *	Lifetime L ₈₀ B ₅₀ :50 000 hours
Color-tuneable:no	CCT colour temperature:.....3000 K	Lumen maintenance factor:>0.96
Envelope:N/A	On-mode power:16 W	Survival factor:>0.90
High luminance:no	Stand-by power:N/A	
Anti-glare shield:no	Networked standby power:N/A	

66904-01

NO: Dette produktet inneholder en lyskilde med energieffektivitetsklasse D.

SE: Denna produkt innehåller en ljuskälla med energieffektivitetsklass D.

FI: Tämä tuote sisältää valonlähteen, jonka energiatehokkuusluokka on D.

EN: This product contains a light source of energy efficiency class D.

Light Source data:

Lighting technology used:LED	Dimmable:yes	CRI:≥ 80
Mains or non-mains:non-mains	Energy consumption in on-mode: ..22 kWh / 1000 h	R9 color rendering index:10
Directional or non-directional:non-directional	Energy efficiency class (A-G): D	Chromaticity coordinates (X, Y): 0.440, 0.403
Connected L.S.:no	Useful luminous flux:.....3500 lm *	Lifetime L ₈₀ B ₅₀ :50 000 hours
Color-tuneable:no	CCT colour temperature:.....3000 K	Lumen maintenance factor:>0.96
Envelope:N/A	On-mode power:22 W	Survival factor:>0.90
High luminance:no	Stand-by power:N/A	
Anti-glare shield:no	Networked standby power:N/A	

* The luminous flux stated here is the value for the light source itself in accordance with Regulation (EU) 2019/2015. The luminous flux stated on the packing box is for the lighting fitting, where the light from the light source is partly absorbed by glass/glare shield/shade and parts of the fitting, and is therefore lower than for the light source.