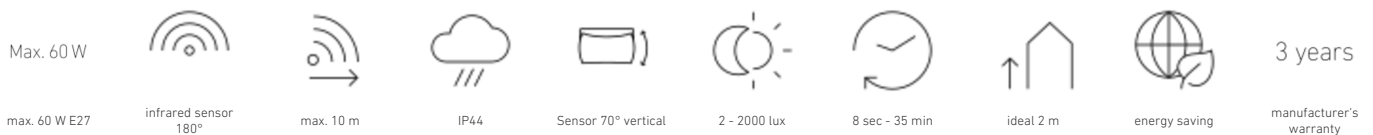


Sensor-switched outdoor light

L 585 S

white
EAN 4007841 005917
Article number 005917



Function description

Individualist all round. Outdoor SensorLight L 585 S, ideal for building fronts and entrances, 180° angle of coverage, reach up to 10 m, selectable time and twilight threshold, sensor tilts through 70° for exact adjustment of the detection zone.

Technical specifications

| | | | |
|-------------------------|---|---|--------------------------------|
| Dimensions (L x W x H) | 229 x 215 x 312 mm | Mounting height max. | 3,00 m |
| With lamp | No | Slave modeselectable | No |
| Manufacturer's Warranty | 3 years | Sneak-by guard | Yes |
| Settings via | Potentiometers | Capability of masking out individual segments | Yes |
| With remote control | No | Electronic scalability | No |
| Version | white | Mechanical scalability | No |
| PU1, EAN | 4007841005917 | Reach, radial | r = 3 m (14 m ²) |
| Application, place | Outdoors | Reach, tangential | r = 10 m (157 m ²) |
| Application, room | outdoors, front door, all round the building, terrace / balcony, courtyard & driveway | Photo-cell controller | Yes |
| Installation site | wall | Abdeckmaterial Lieferumfang | sticker |
| Impact resistance | IK03 | Lamp | All-purpose lamp |
| IP-rating | IP44 | Base | E27 |
| Protection class | II | Soft light start | No |
| Ambient temperature | -20 – 40 °C | Twilight setting | 2 – 2000 lx |
| Housing material | Plastic | Time setting | 8 s – 35 Min. |
| Cover material | Glass transparent | Basic light level function | No |
| | | Interconnection | No |

<https://www.steinel.de>

Subject to technical modifications

12.2023 Page 1 from 2

Sensor-switched outdoor light

L 585 S

white
EAN 4007841 005917
Article number 005917

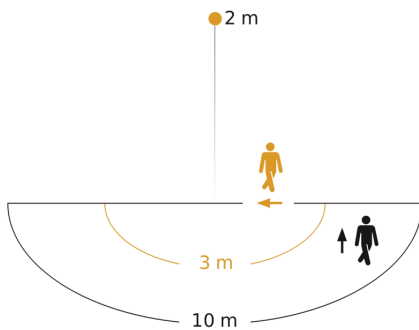


Technical specifications

| | |
|--------------------|---------------------|
| Mains power supply | 230 – 240 V / 50 Hz |
| Output | 60 W |
| Power consumption | 0,55 W |

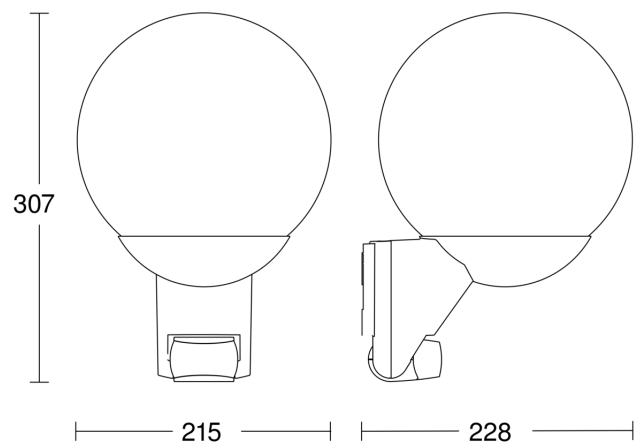
| | |
|-------------------------|-------|
| Optimum mounting height | 2 m |
| Detection angle | 180 ° |

Detection Zone



Possible mounting height: 1,80 m - 3,00 m
Orange: radial
Black: tangential

Dimension Drawing



Circuit diagram

