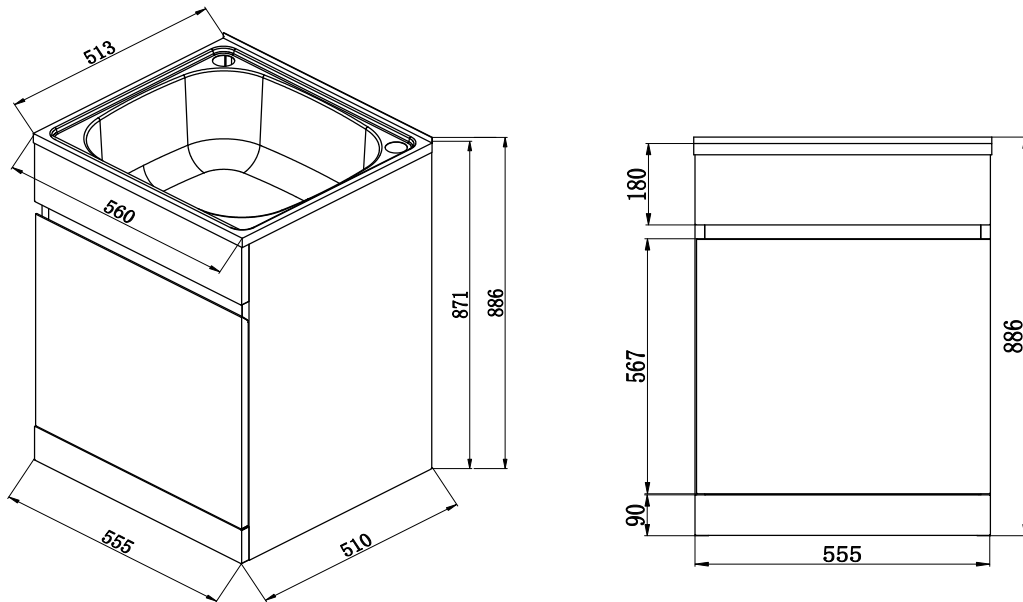


45L |



INSTALLING YOUR LAUNDRY UNIT

1. Carefully lift product out of the carton
2. The laundry unit must be installed at the location of the drain. Check the dimensions of the area where the laundry unit will be installed to ensure it will fit within the allocated space
3. Ensure the back wall of the area where the laundry unit will be installed is straight and level
4. Carefully remove the laundry sink from the unit using protective gloves and set aside
5. Install the basket waste onto the sink. The basket waste is a two part waste, therefore the screw within the middle of the waste needs to be removed before installing the waste onto the sink. Insert the top part of the waste including the thin black rubber seal into the waste hole of the sink. From underneath install the bottom part of the basket waste including the thick black rubber onto the waste hole. Screw the stainless steel threaded screw through the top part of the basket waste into the bottom part of the basket waste and tighten using a screwdriver
6. Ensure the laundry unit is installed level by using a spirit level across the top of the unit. If the floor is not level we recommend using the optional adjustable feet which can be purchased separately

7. Using two screws or wall anchors, fasten the laundry unit to the wall by drilling two holes into the top bracket centres and insert fastening screws (M6) or wall anchors to secure the unit to the finished wall

CONNECTING THE LAUNDRY SINK TO THE DRAIN

1. Locate the current waste installed in your home, this could be coming through the floor or through the wall
2. If through the floor, measure the distance from the back and from the side of the unit to the centre of the drainage pipe located on the floor. Mark the centre location of the drainage pipe on the floor panel. Using a 60mm hole saw, drill a hole through the floor panel to fit the drainage pipe
3. Using the existing pipe to cut and install with the basket waste.
4. To cover the hole through the floor panel, a 50mm floor flange can be used and slide over the top of the 50mm DWV pip.
5. Test and ensure there are no leaks. Pop the rivet floor panel at the back of the unit.

INSTALLING THE TAPWARE

1. Carefully remove the laundry sink from the laundry unit using protective gloves
2. Install your chosen tapware onto the sink using the supplied tap bracket and seals. Follow the manufacturer's instructions on how to install the tapware
3. Once the tapware is installed, place the laundry sink onto the laundry unit. Seal the top edge of the unit using a suitable sealant prior to placing the laundry sink onto the unit

REVERSING THE LAUNDRY UNIT DOOR

The Soft Close Door can be reversed from right to left hinged if required

1. To reverse the door, remove the two white hinge caps located on the door by using a screwdriver
2. Remove the screws located on the door hinge attached to the door
3. Reattach the door hinge to the holes located on the opposite side of the door. Re install door hinge screws and tighten
4. Place the two white hinge caps onto the original door hinge locating holes and insert screws and tighten



White Hinge Cap

ADJUSTING THE SOFT CLOSE HINGE

During transportation, your Soft Close Door Laundry Unit may have slightly moved. To adjust the door, follow the instructions on how to adjust the soft close hinges.



SIDE ADJUSTMENT

Loosen or tighten adjusting screw (A) until the door is balanced

DEPTH ADJUSTMENT

Loosen or tighten hinge arm fastening screw (B), regulate distance between door and side wall

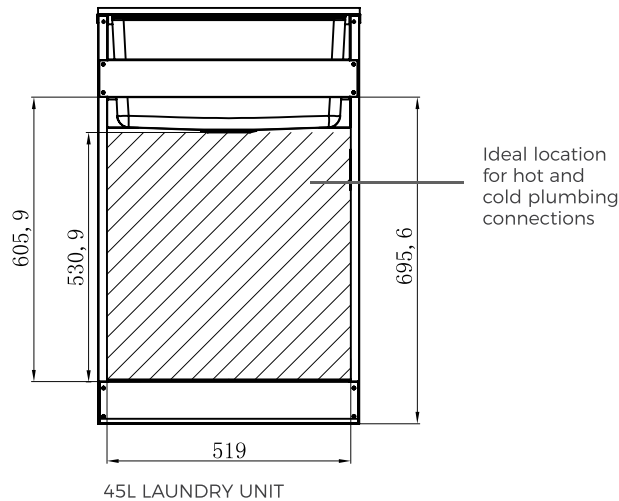
HEIGHT ADJUSTMENT

With the height adjustment mounting plates (C), doors can accurately be adjusted in height

Adjustable Feet Installation (Optional)

Adjustable Feet can be installed onto the Soft Close Door Laundry Unit by using the Adjustable Feet. Remove the nut and washer from the thread of the adjustable feet and insert the threaded component through the four holes located on the base of the laundry unit.

Place the washer and nut onto the threaded rod of the adjustable feet on the inside of the base of the unit and tighten. Adjust the feet to the desired height of the installation.

POSITIONING OF HOT AND COLD WATER PLUMBING CONNECTIONS**CARING FOR YOUR LAUNDRY UNIT AND LAUNDRY SINK (STAINLESS STEEL)****ROUTINE**

Clean your laundry sink on a regular basis using bicarb soda or stainless steel cleaner. This will improve the look of your laundry sink

ACIDS + CLEANERS

Cleaning chemicals used around the home can contain chloride which can cause surface rust on the laundry sink. Remove all chemicals left on the surface with clean water and dry the surface with a soft cloth

RINSE

After use, rinse your laundry sink thoroughly with clean water to remove any chemicals, iron deposits or acids on the surface

FUMES

Storing chemicals such as chlorine, bleach or acid based products underneath your laundry sink will cause the surface to rust rapidly due to the fumes attacking the surface. Always use air tight and sealed containers

DRY

Wipe your laundry sink dry using a dry cloth after every use to keep the stainless steel fresh and spot free

SOAKING

Avoid leaving damp sponges or cloths inside the laundry sink or around the edge of your sink when not in use. Over time this can cause the surface to become pitted if not cleaned properly