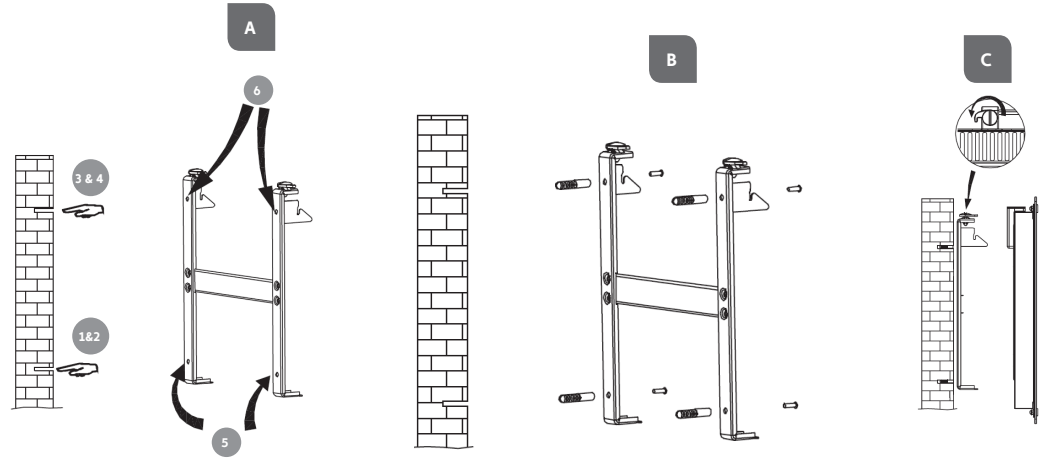
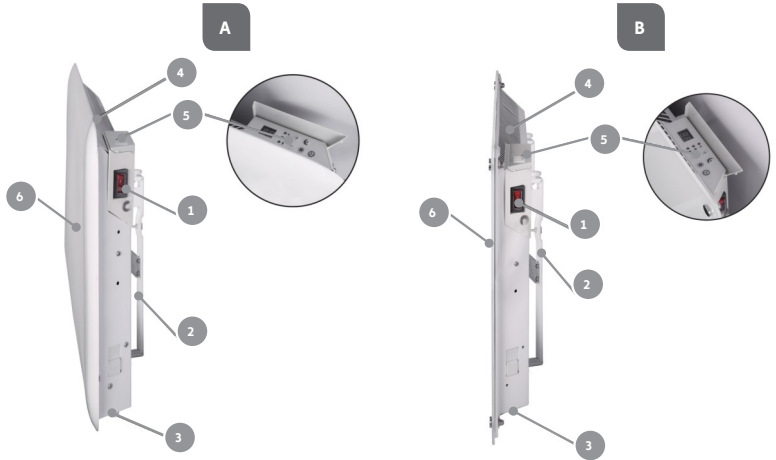




# Steel & Glass Illustrations

## 1. DESCRIPTION OF THE HEATER

## 2. ASSEMBLY

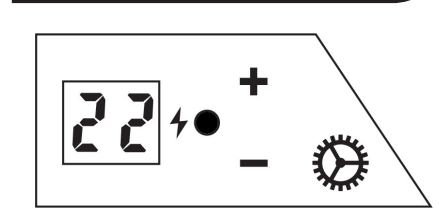
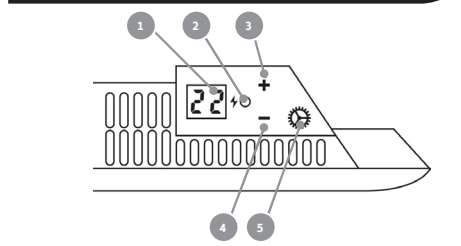
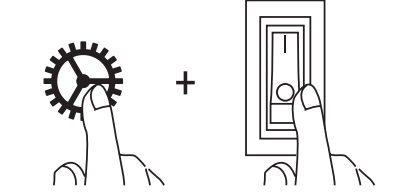
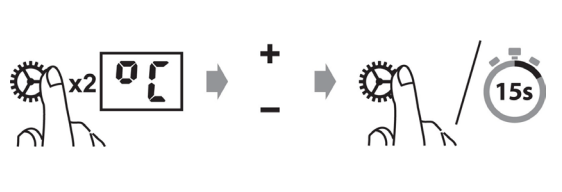


## 3. TEMPERATURE CALIBRATION

## 4. RESETTING THE HEATER

## 5. CONTROL PANEL ELECTRONIC THERMOSTAT

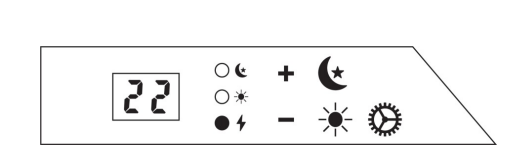
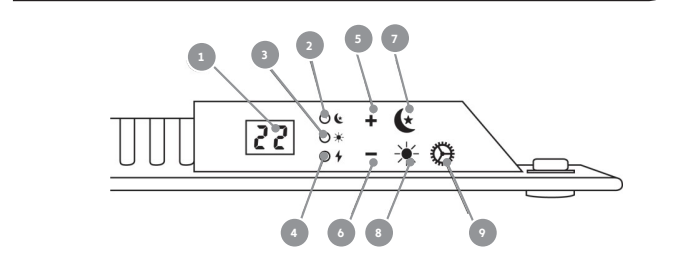
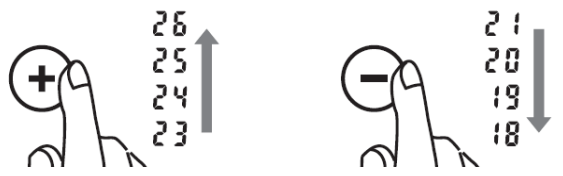
## 6. POWER INDICATOR ELECTRONIC THERMOSTAT



## 7. SET THE DESIRED TEMPERATURE

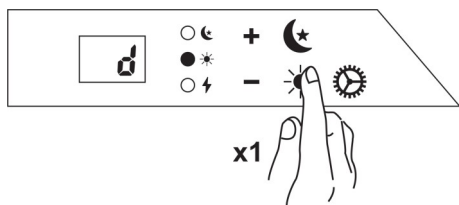
## 8. CONTROL PANEL DAY/NIGHT THERMOSTAT

## 9. POWER INDICATOR DAY/NIGHT THERMOSTAT

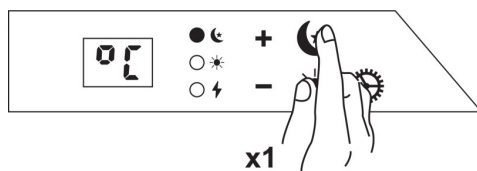




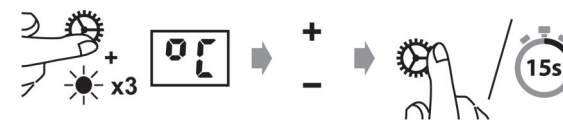
10. HOW TO ACTIVATE DAYTIME SETBACK



11. HOW TO ACTIVATE NIGHTTIME SETBACK



12. CHANGE SETBACK TEMPERATURE – DAYTIME



13. CHANGE SETBACK TEMPERATURE – NIGHTTIME



14. CHANGE NUMBER OF HOURS – DAYTIME



15. CHANGE NUMBER OF HOURS – NIGHTTIME



16. CANCEL (SKIP) SETBACK PERIOD



17. DELETE A SETBACK PROGRAM

