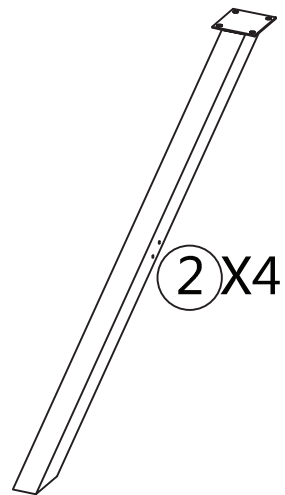
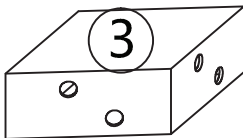
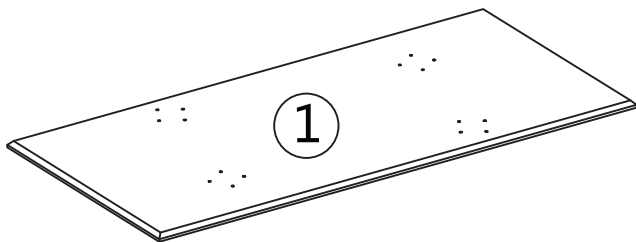
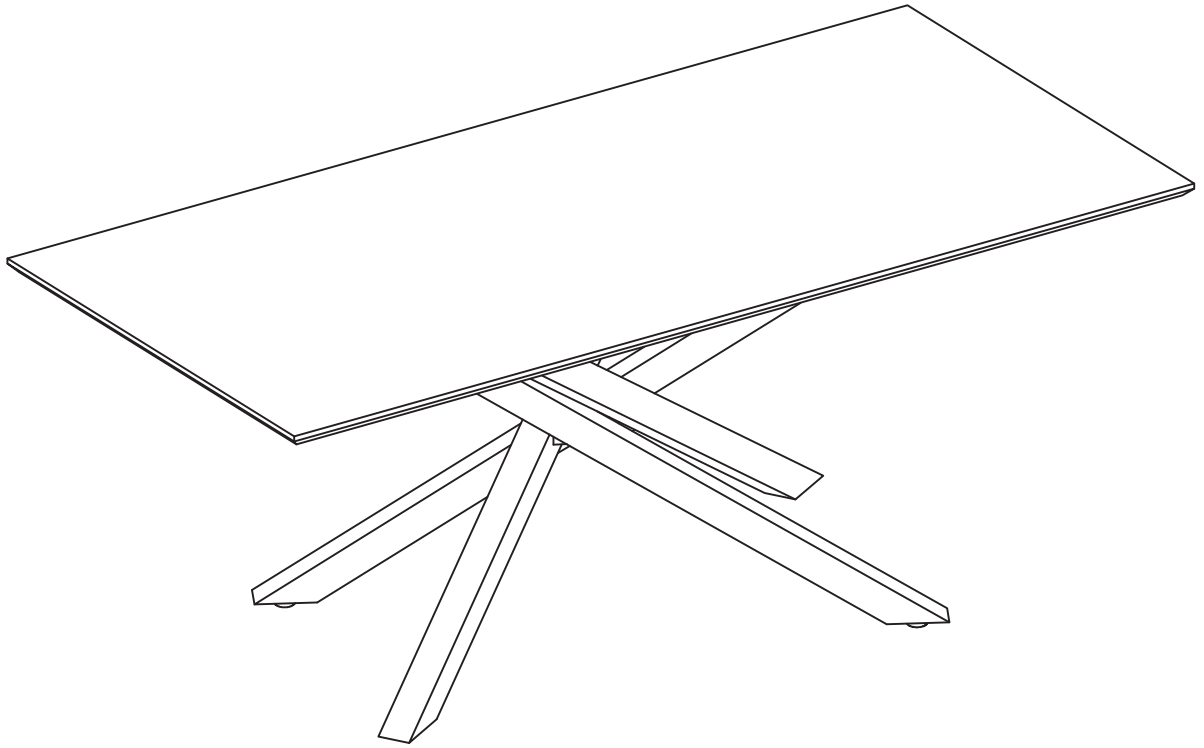


Assembly Instructions



A



M6*16

X8

B



M8*20

X16

C



∅8*16

X24

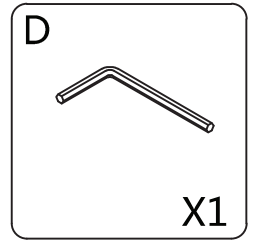
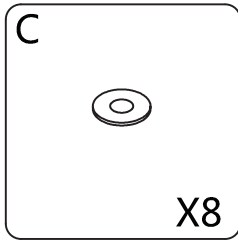
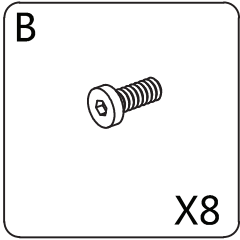
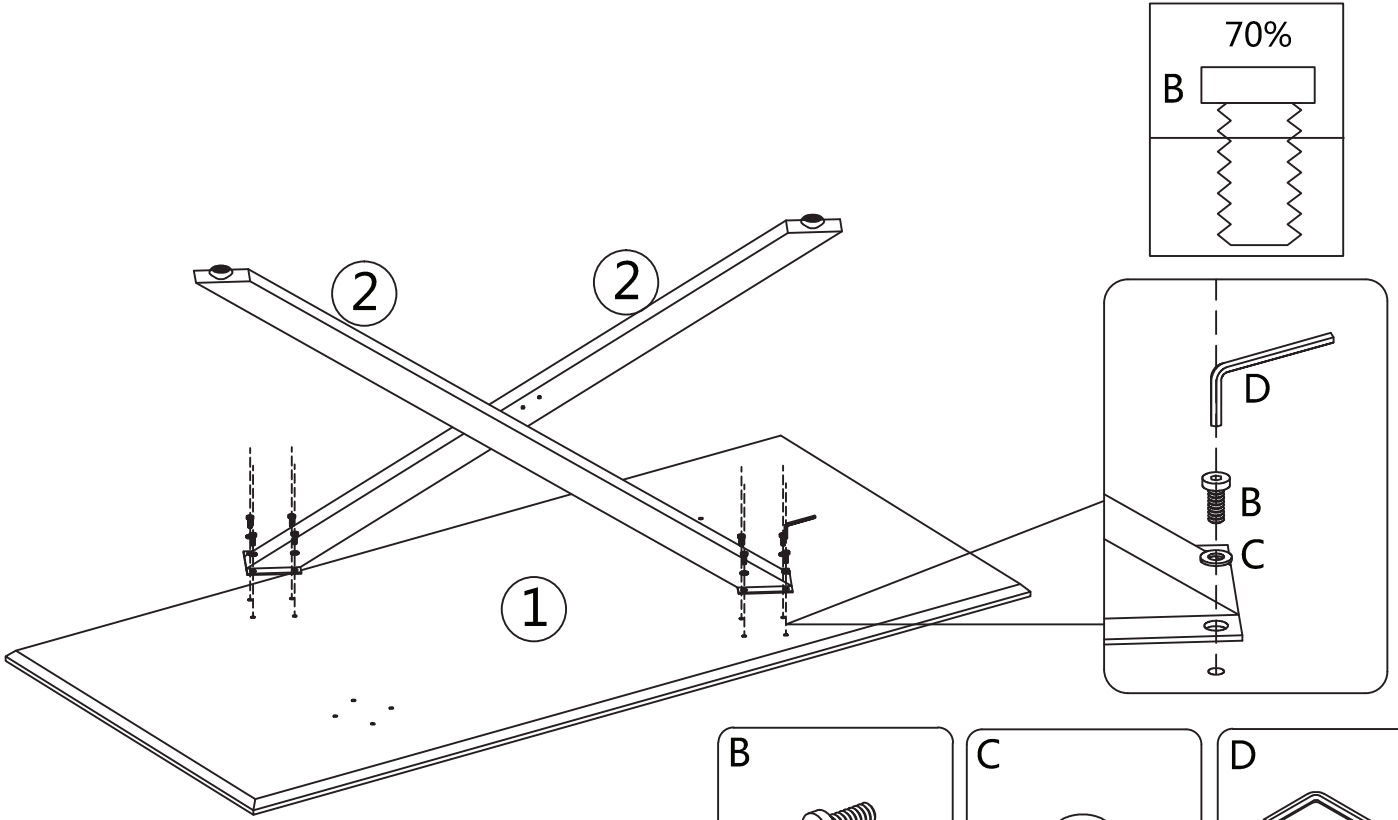
D



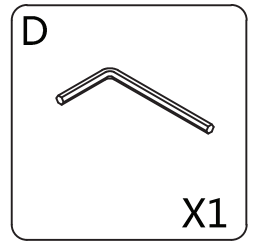
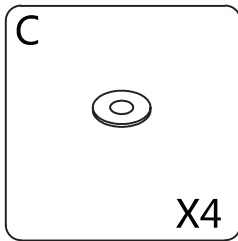
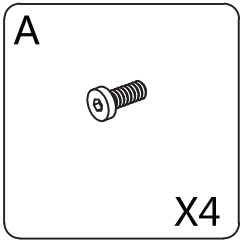
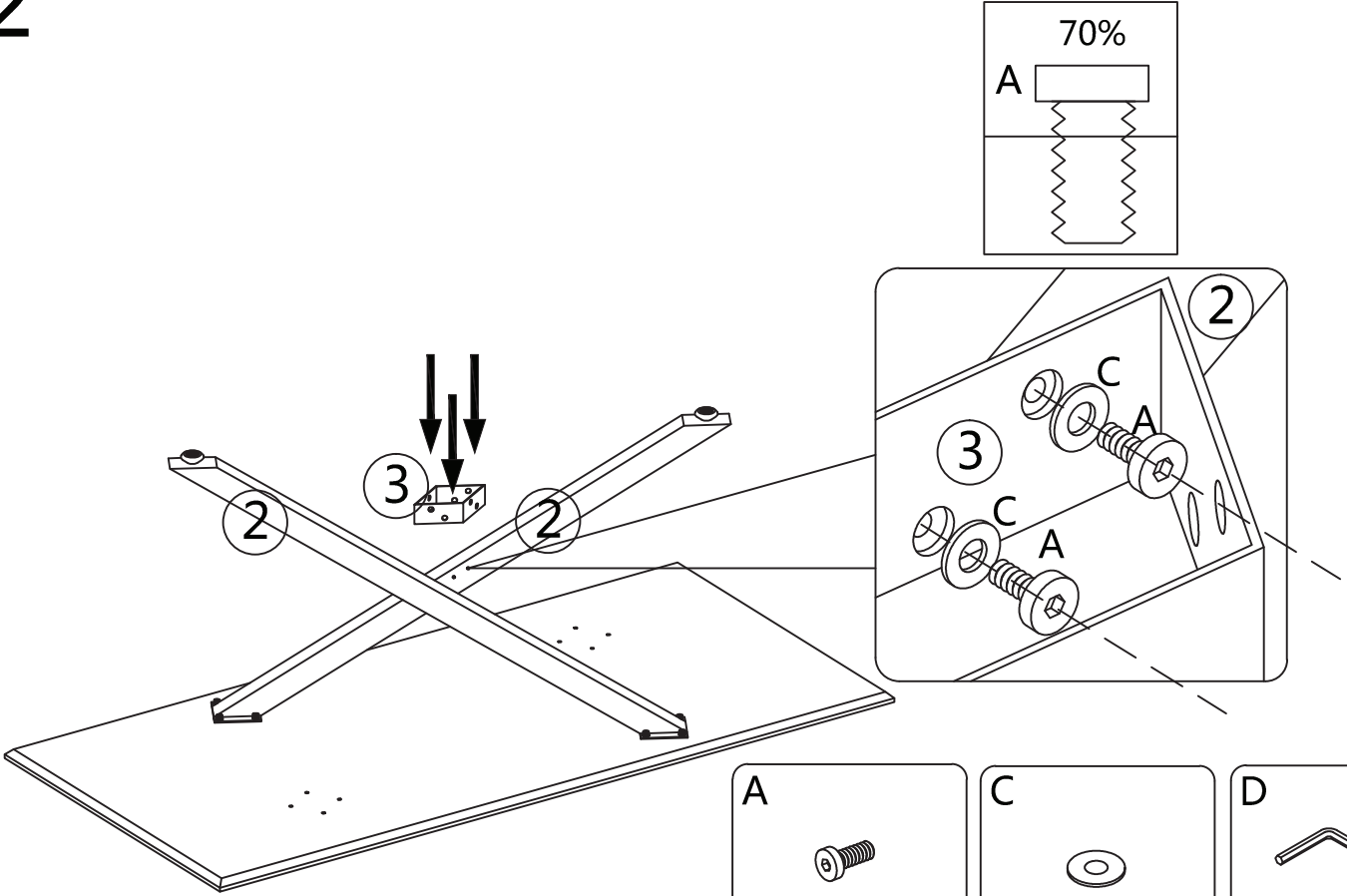
5#

X1

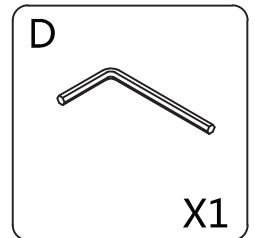
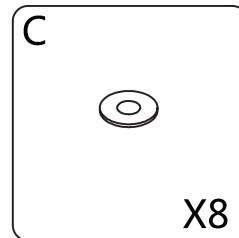
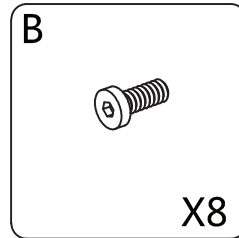
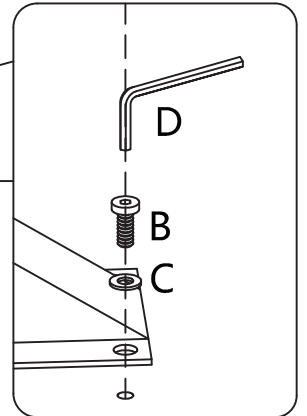
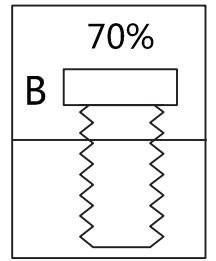
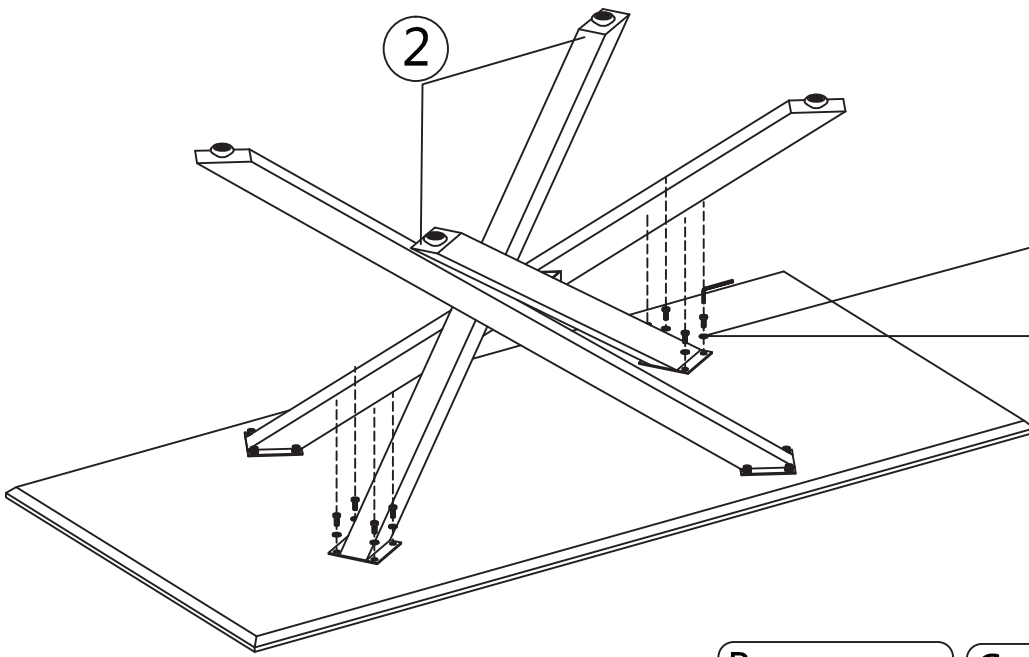
1



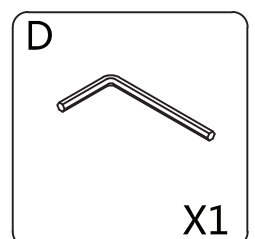
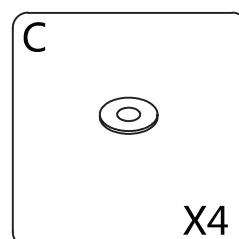
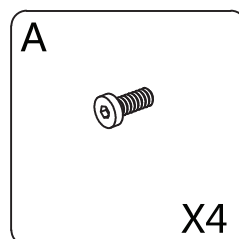
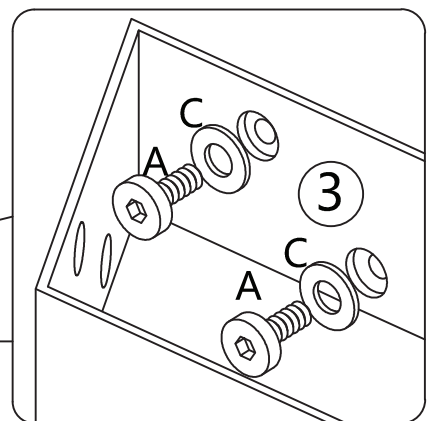
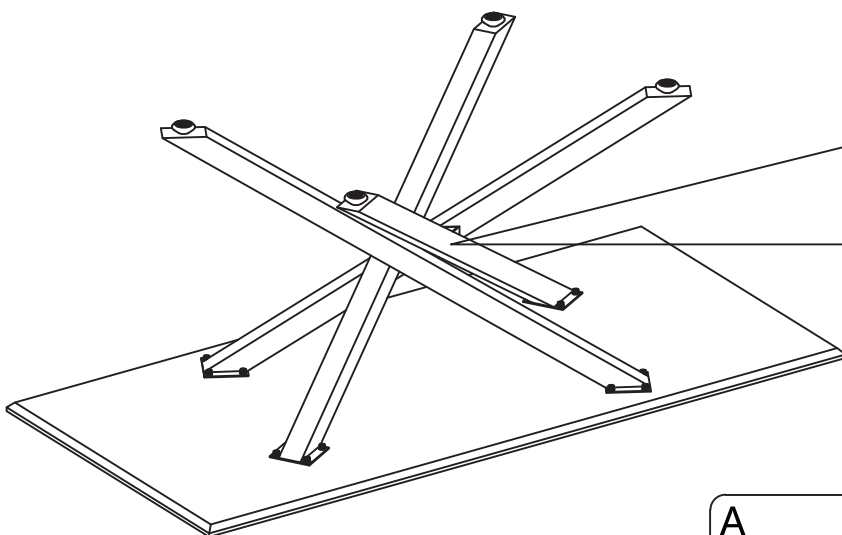
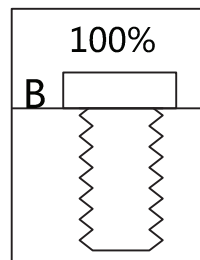
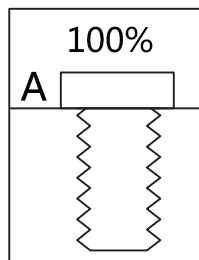
2



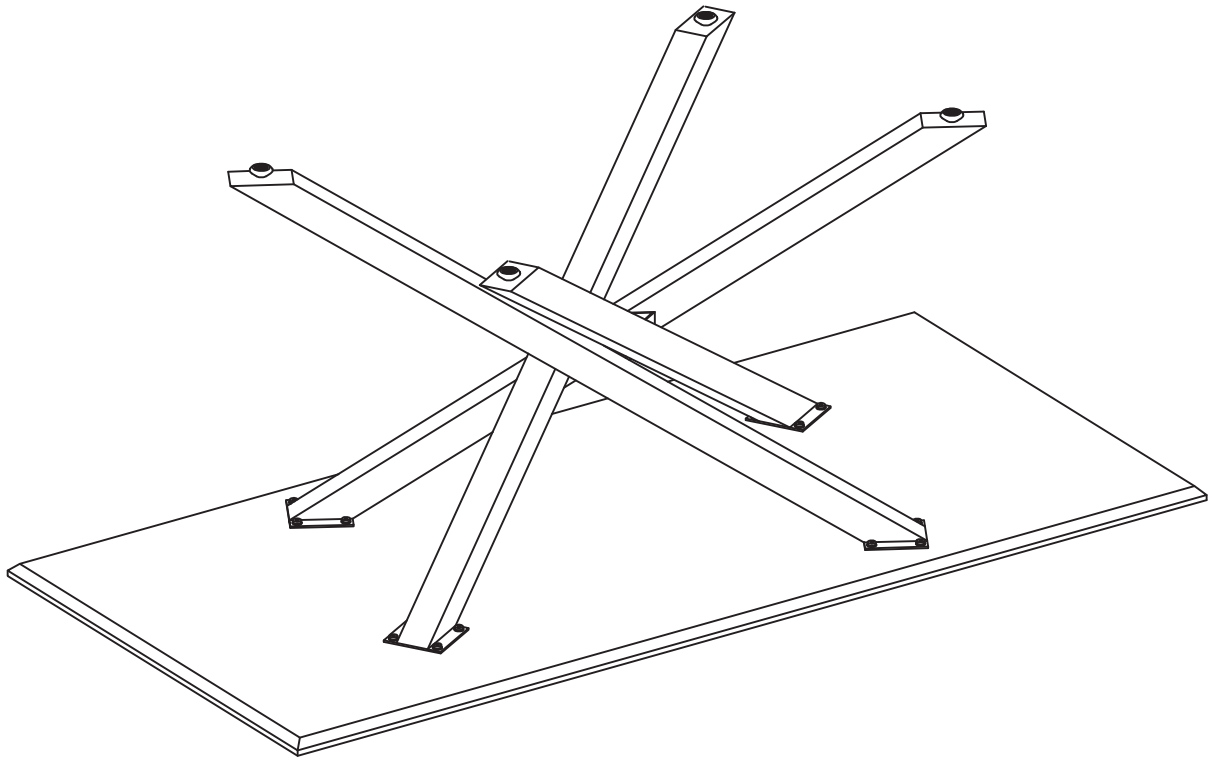
3



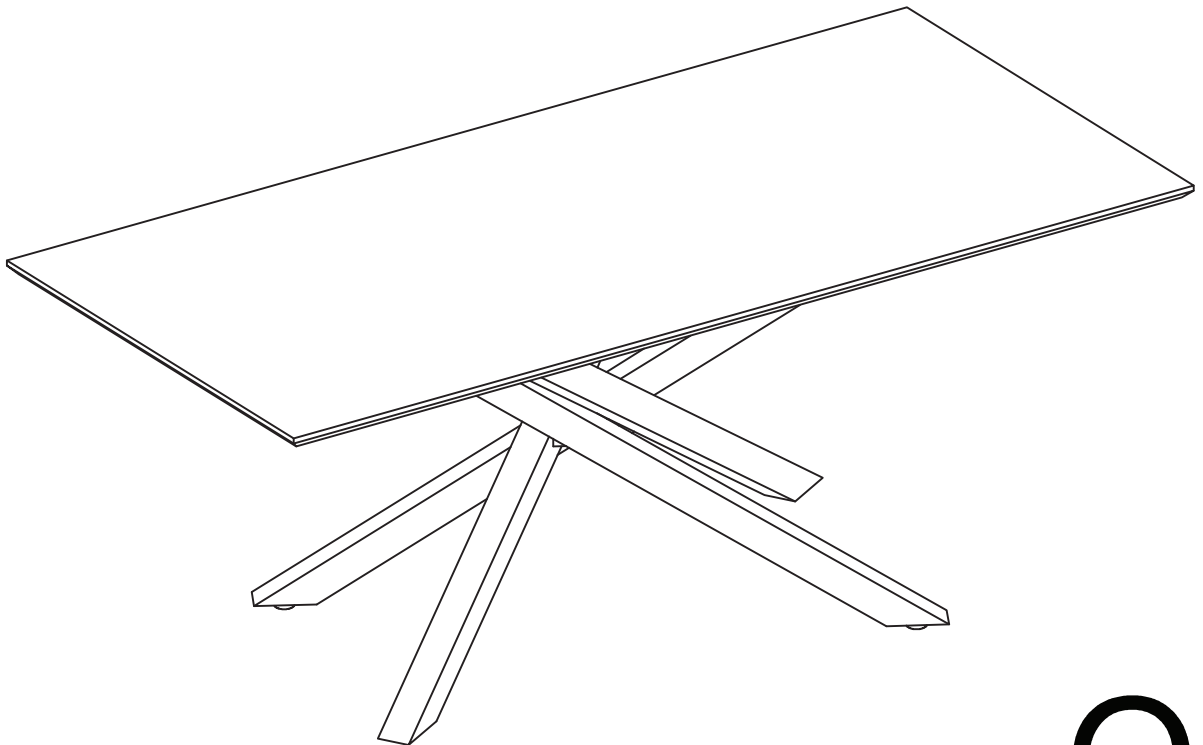
4



5



6



OK