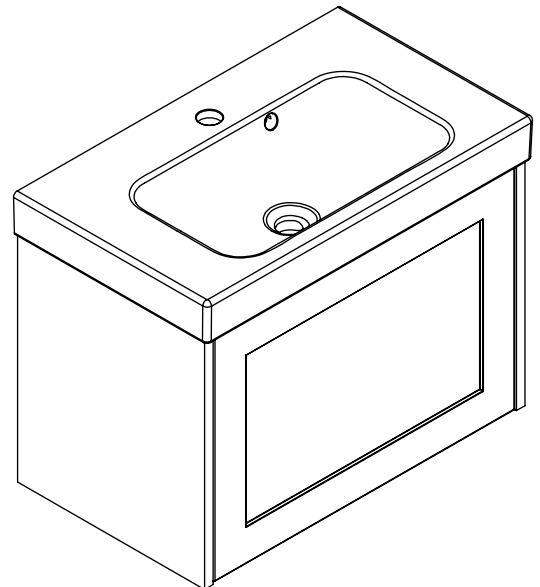
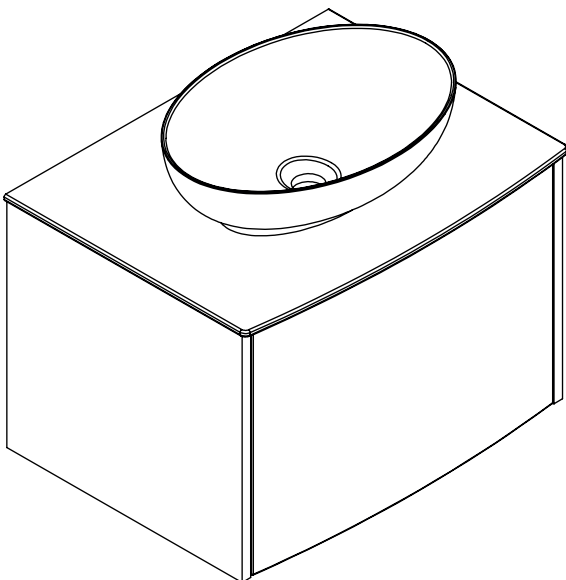
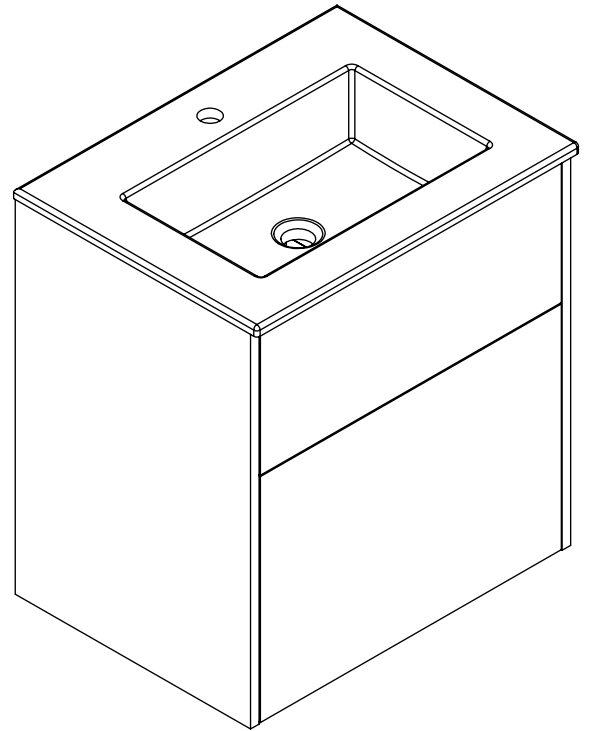
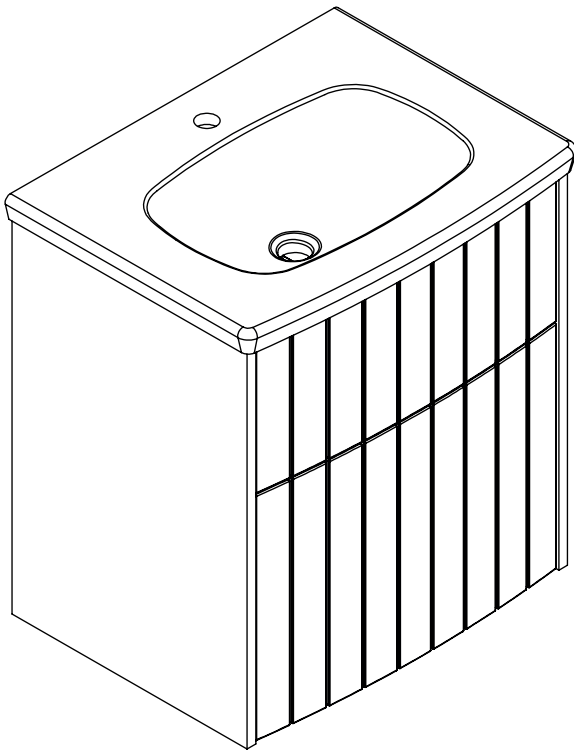




DANSANI
DANISH BATHROOM DESIGN





4x
5-500



4x
5,0-60SU



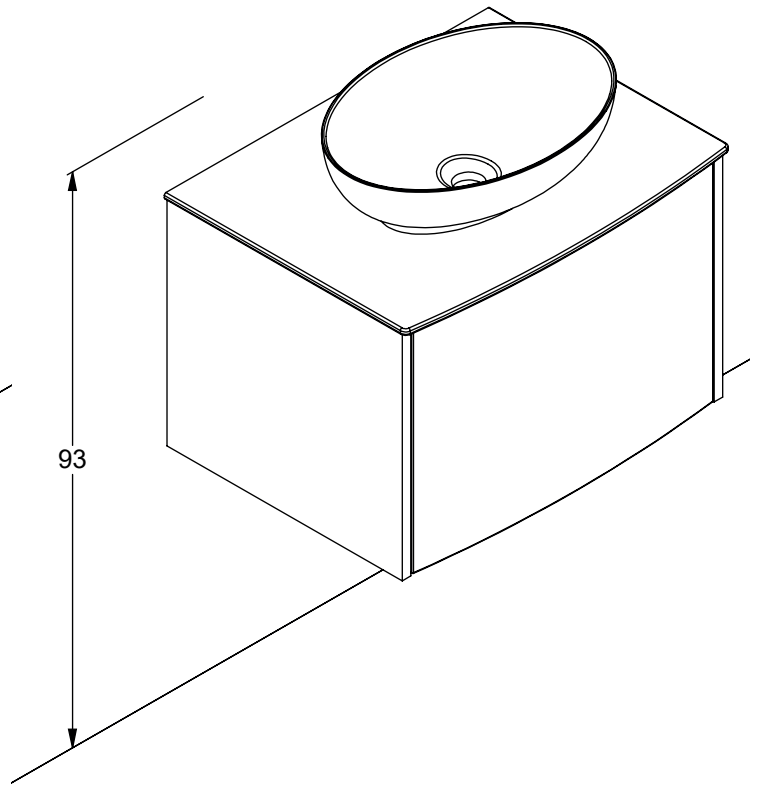
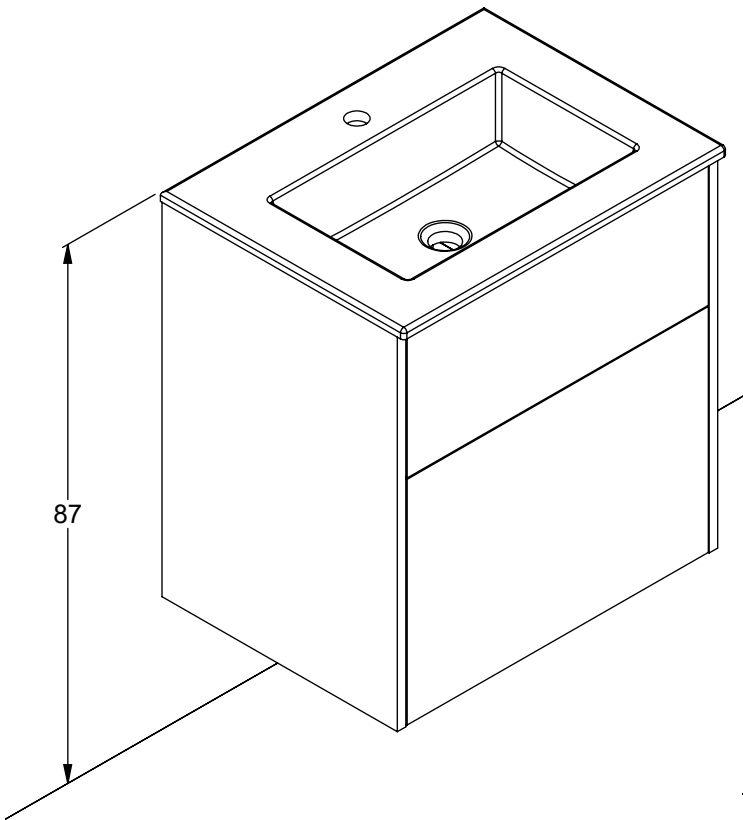
2x
190310601



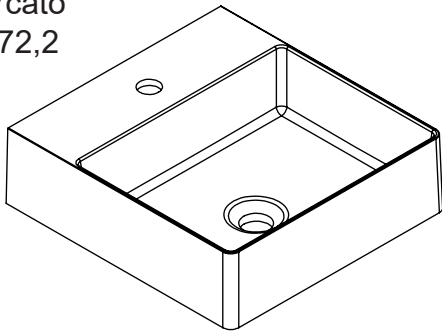
2x
190310600



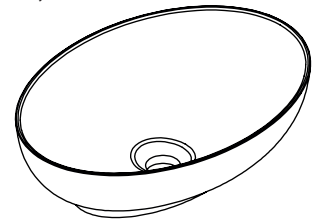
8x
195000000



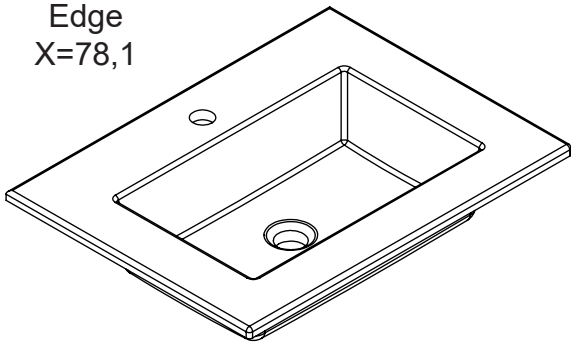
Marcato
X=72,2



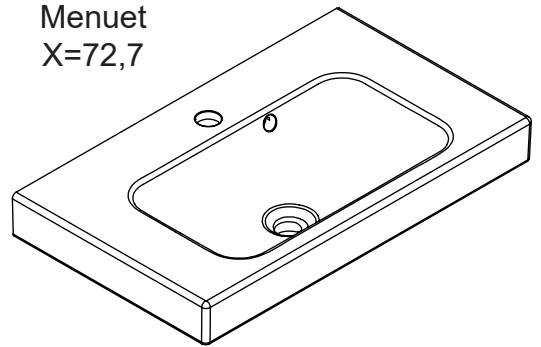
Sonate
X=72,7



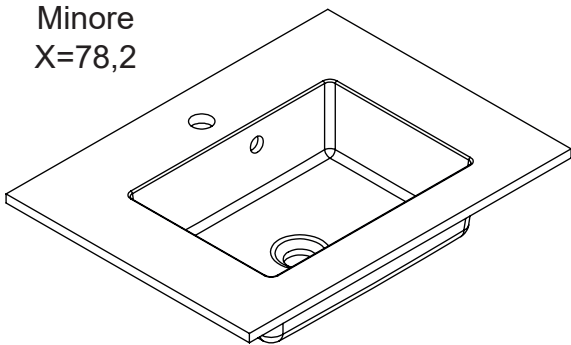
Edge
X=78,1



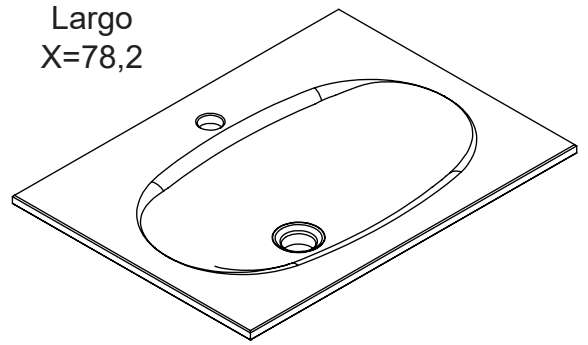
Menuet
X=72,7



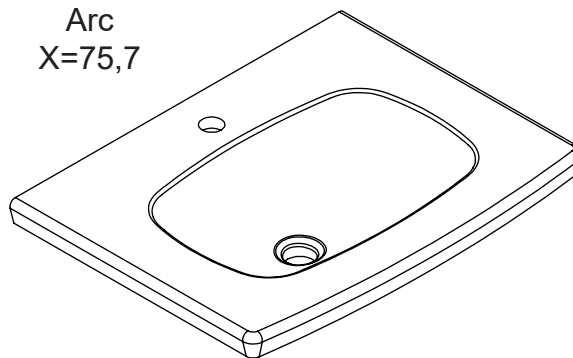
Minore
X=78,2



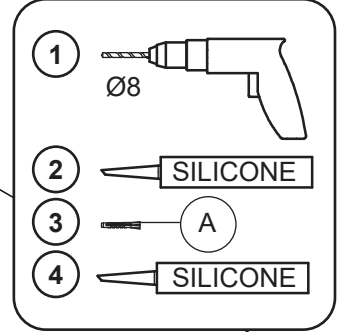
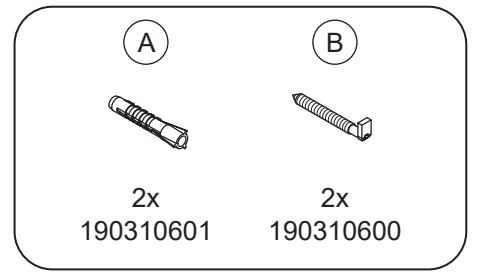
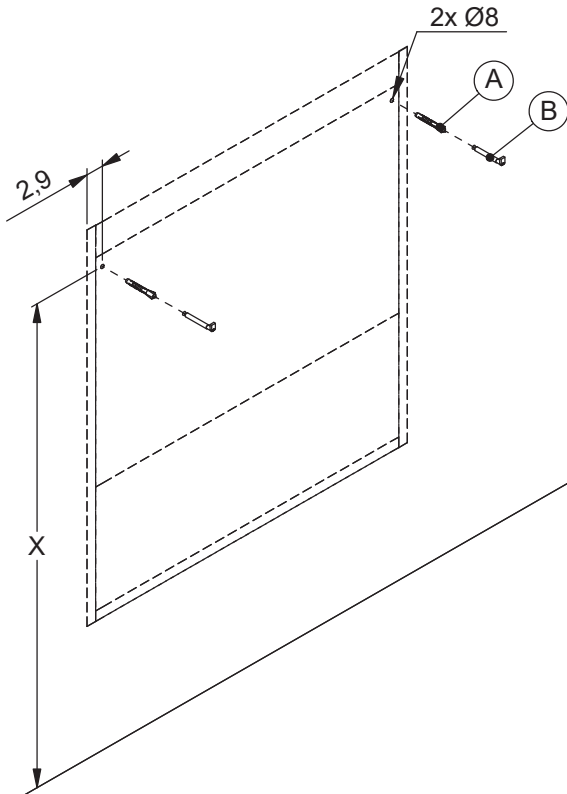
Largo
X=78,2



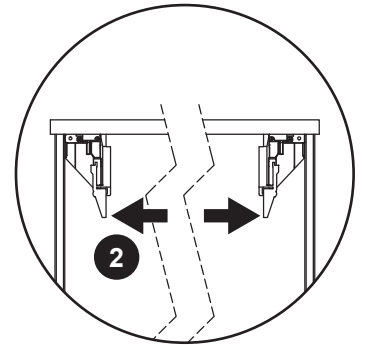
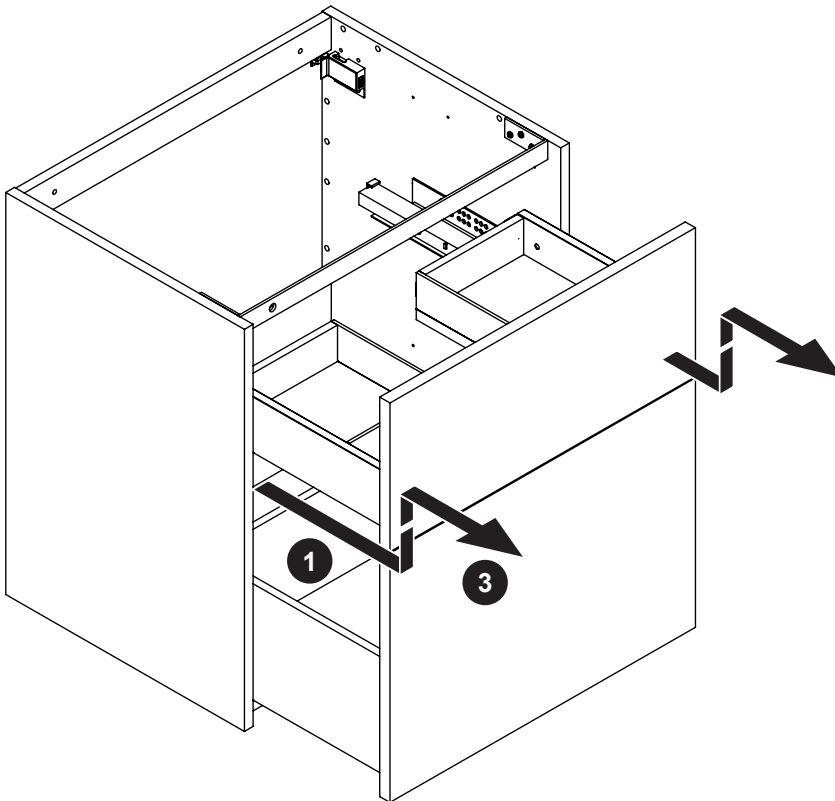
Arc
X=75,7



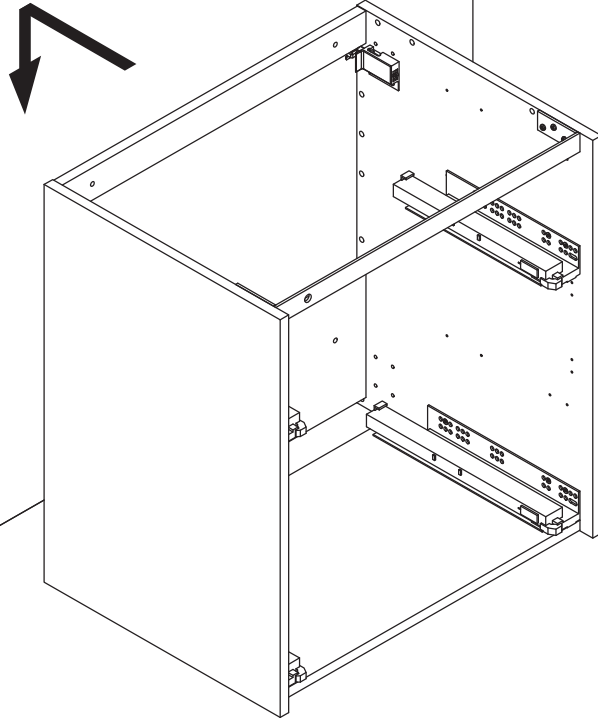
1



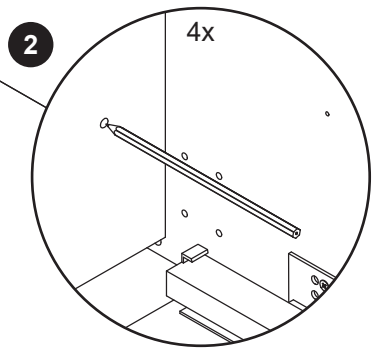
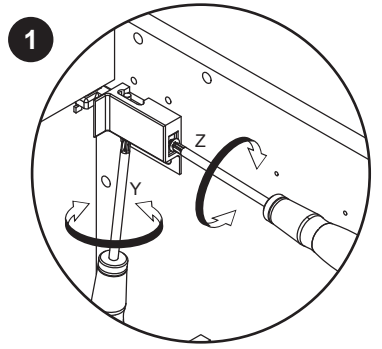
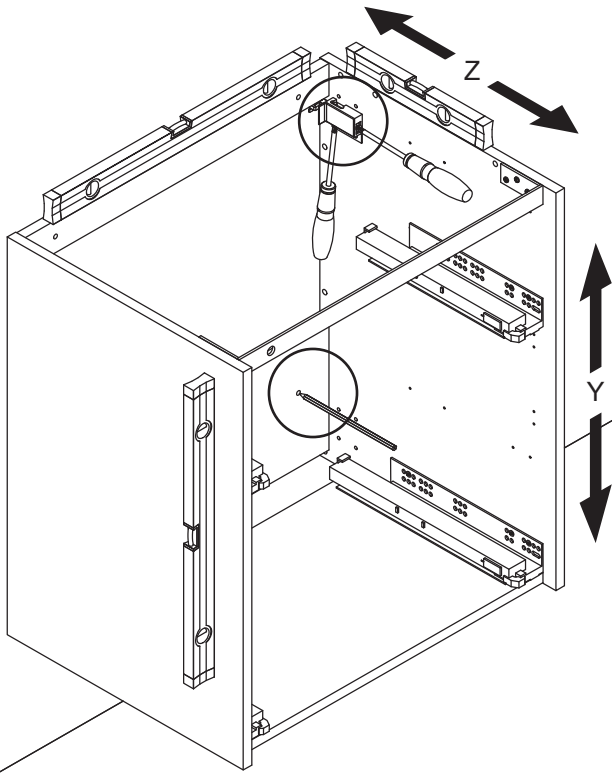
2



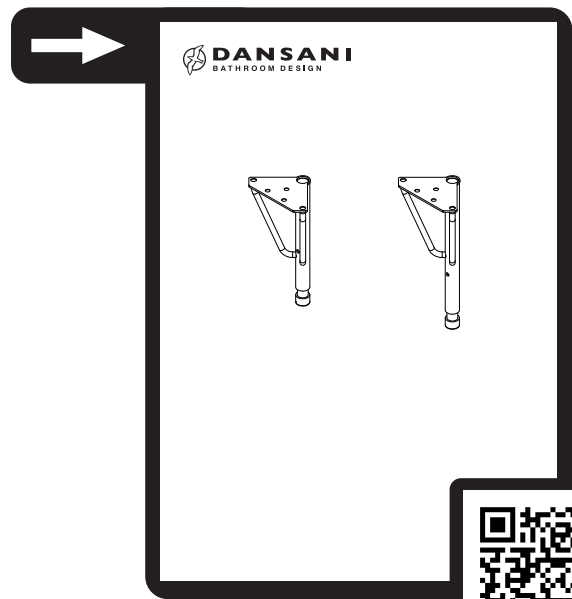
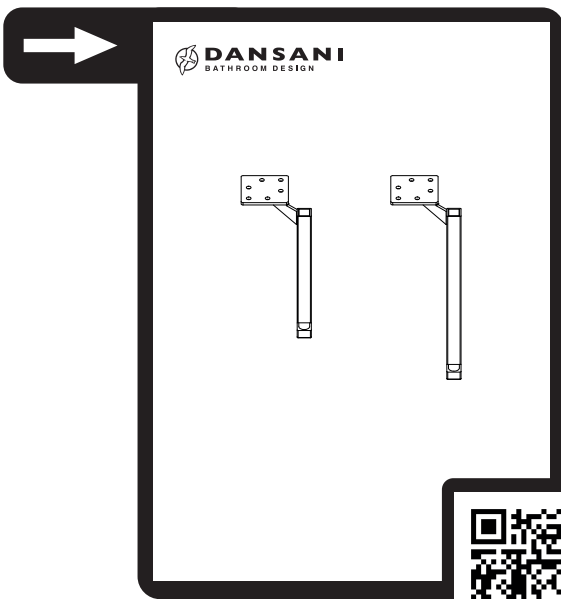
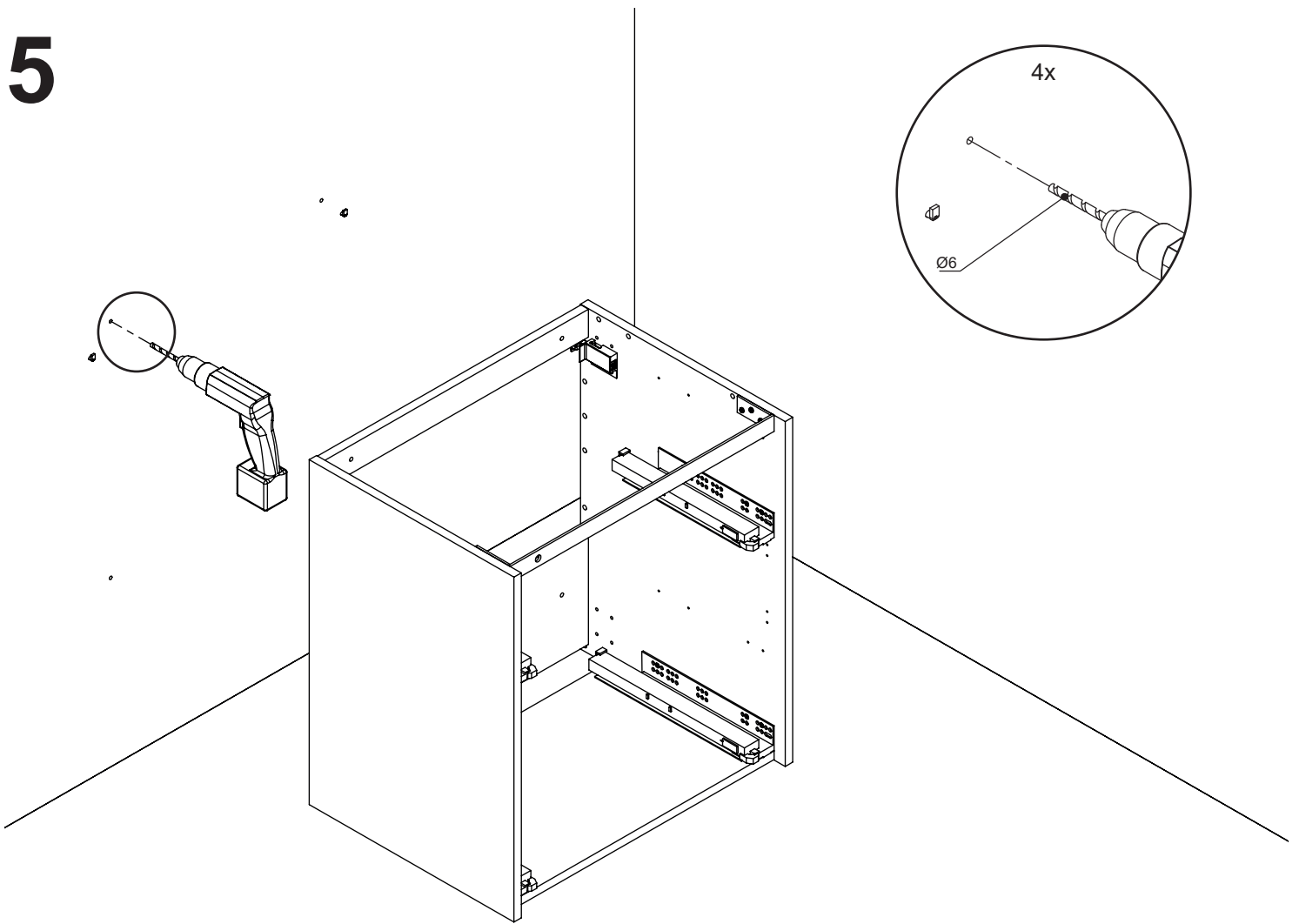
3



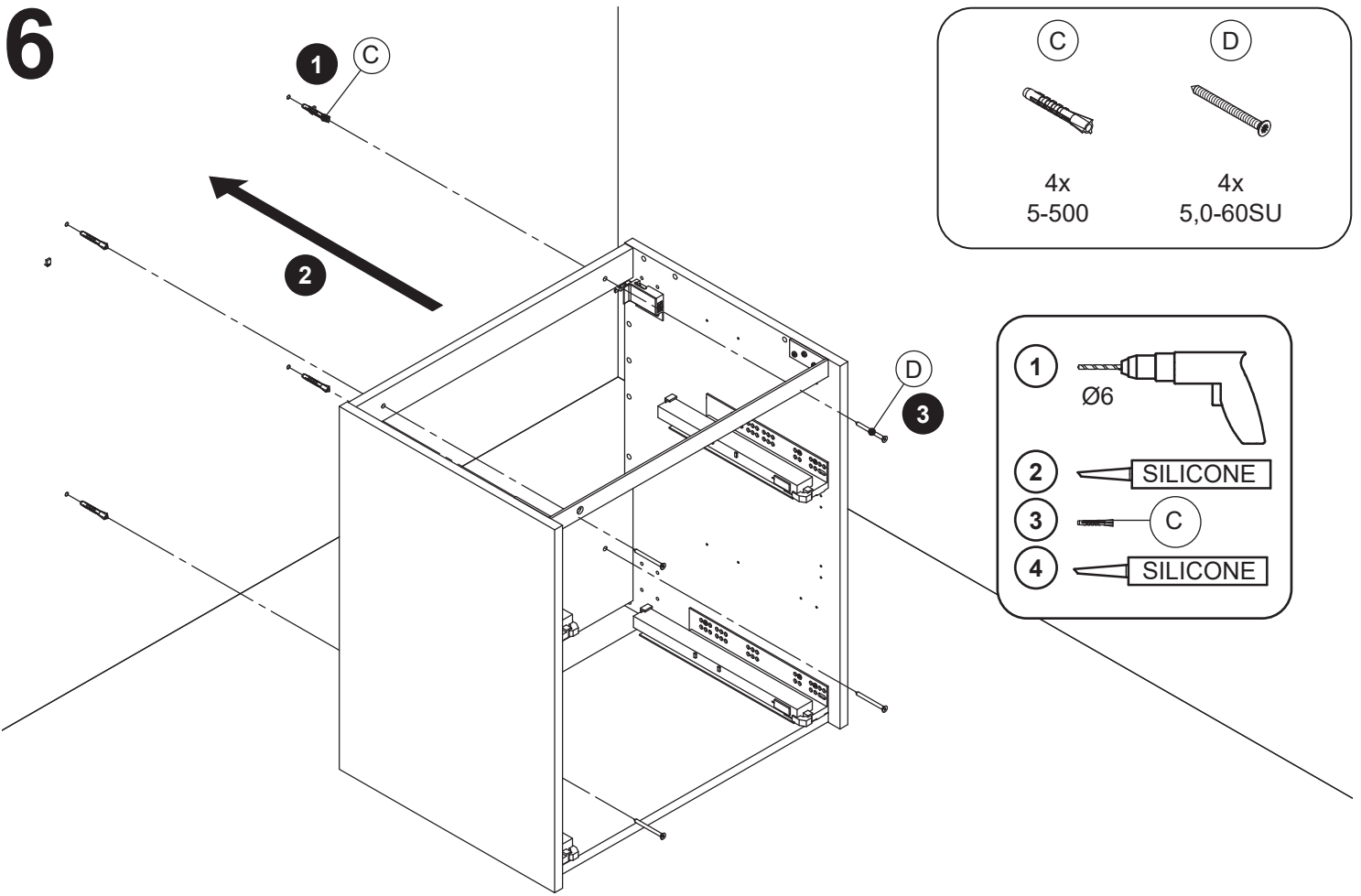
4



5



6



→ 7

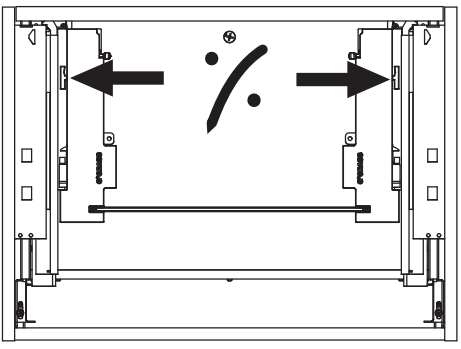
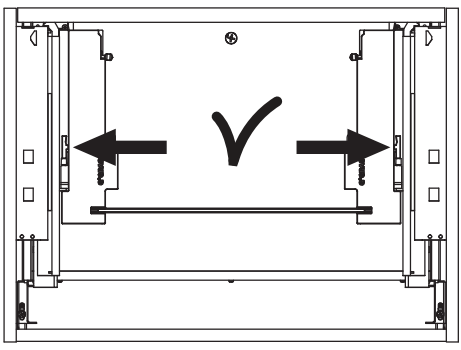


→ 8

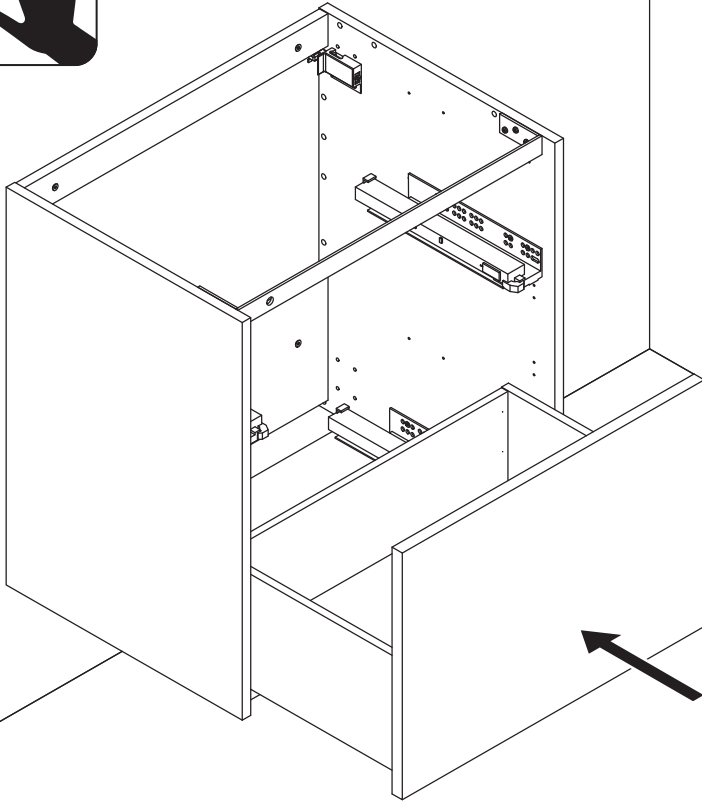
7



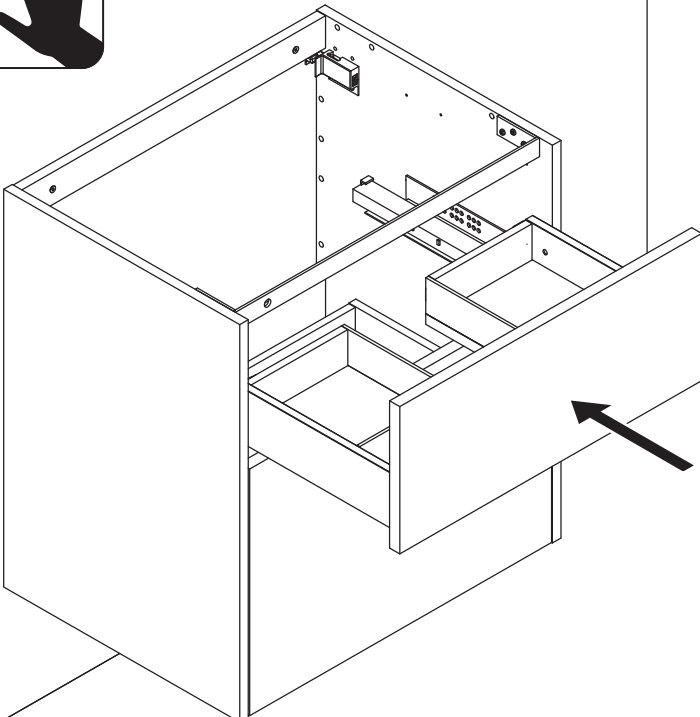
▶



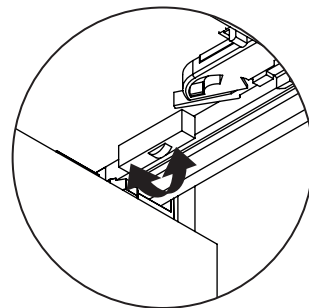
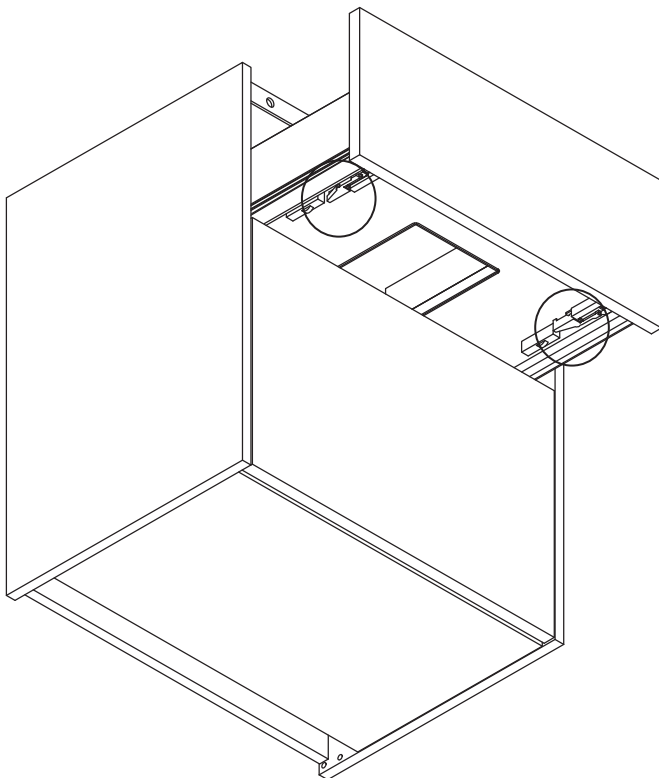
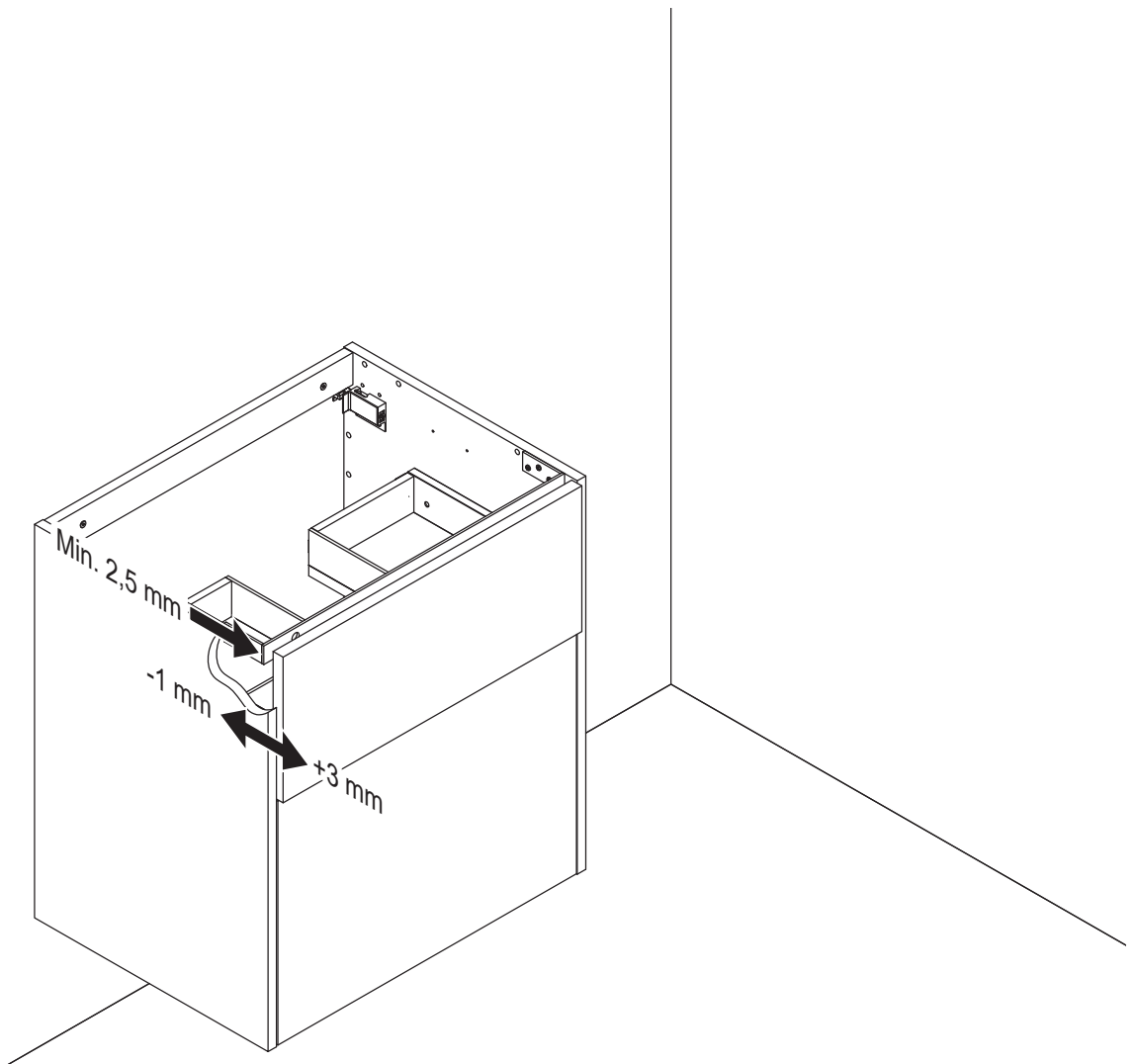
8



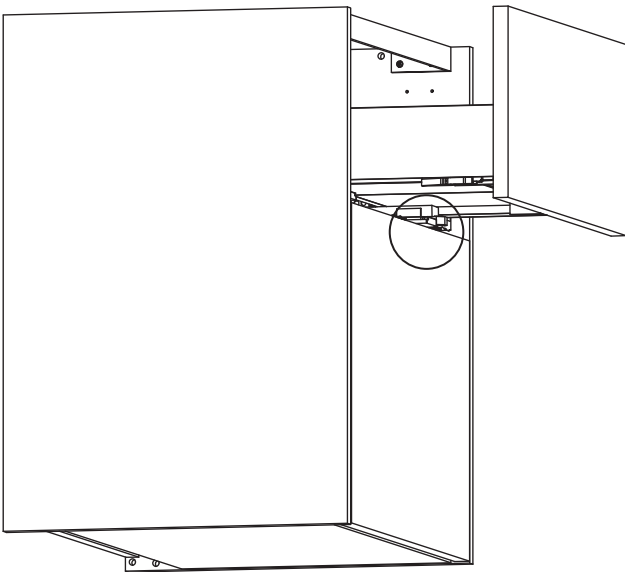
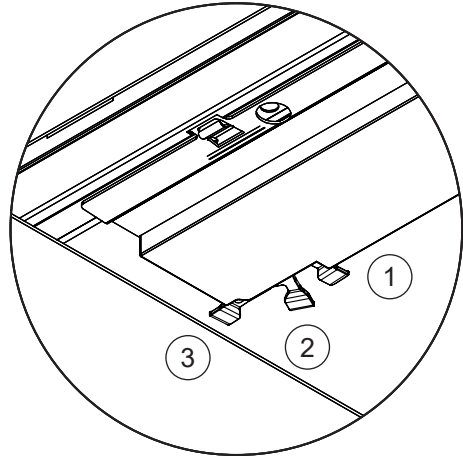
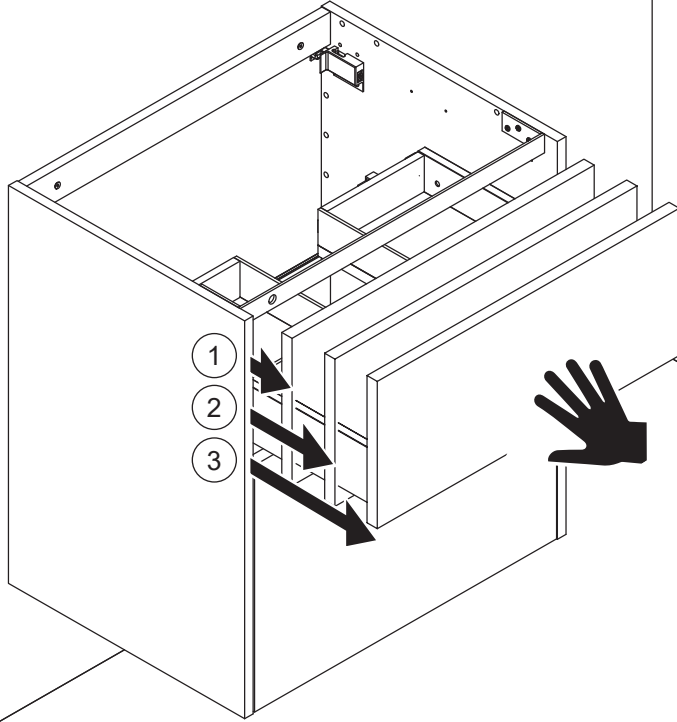
9



10



11

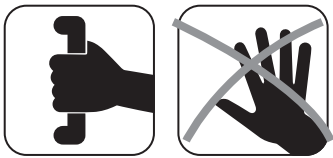


→ 15

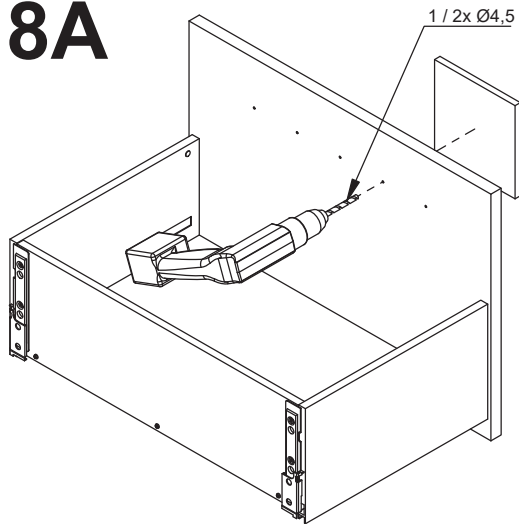


→ 16

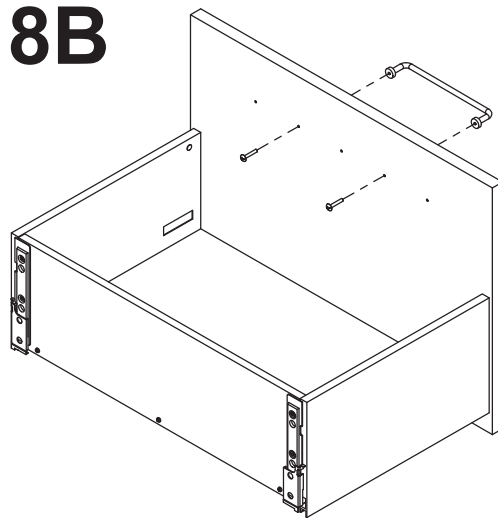
8



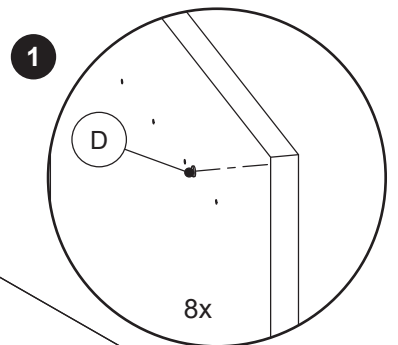
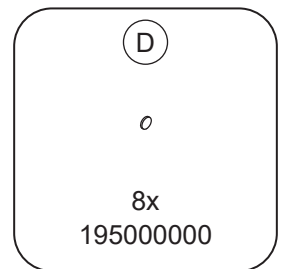
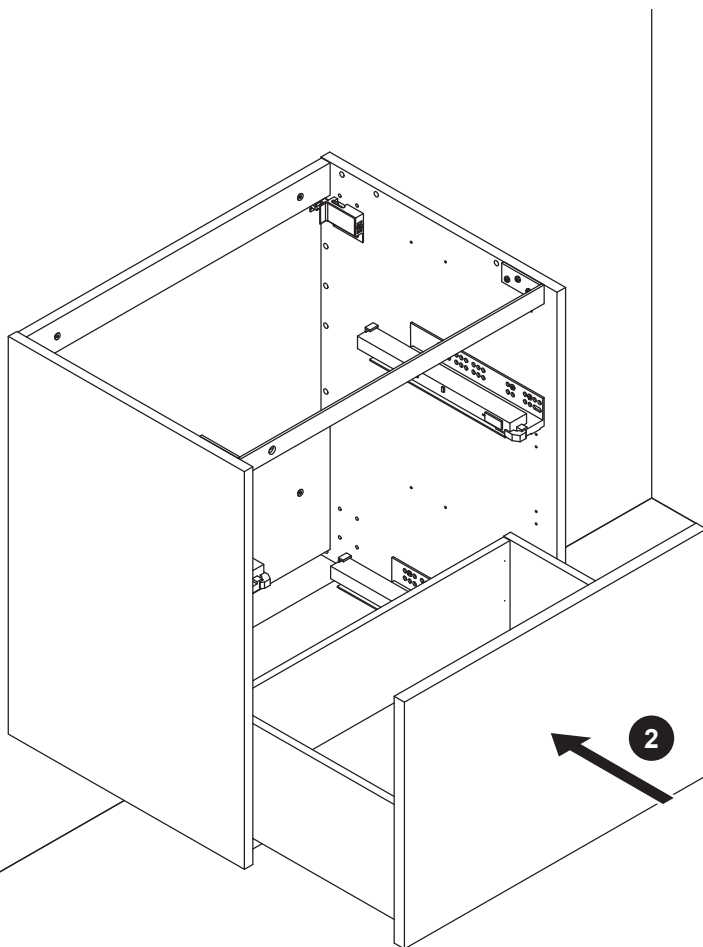
8A



8B



9

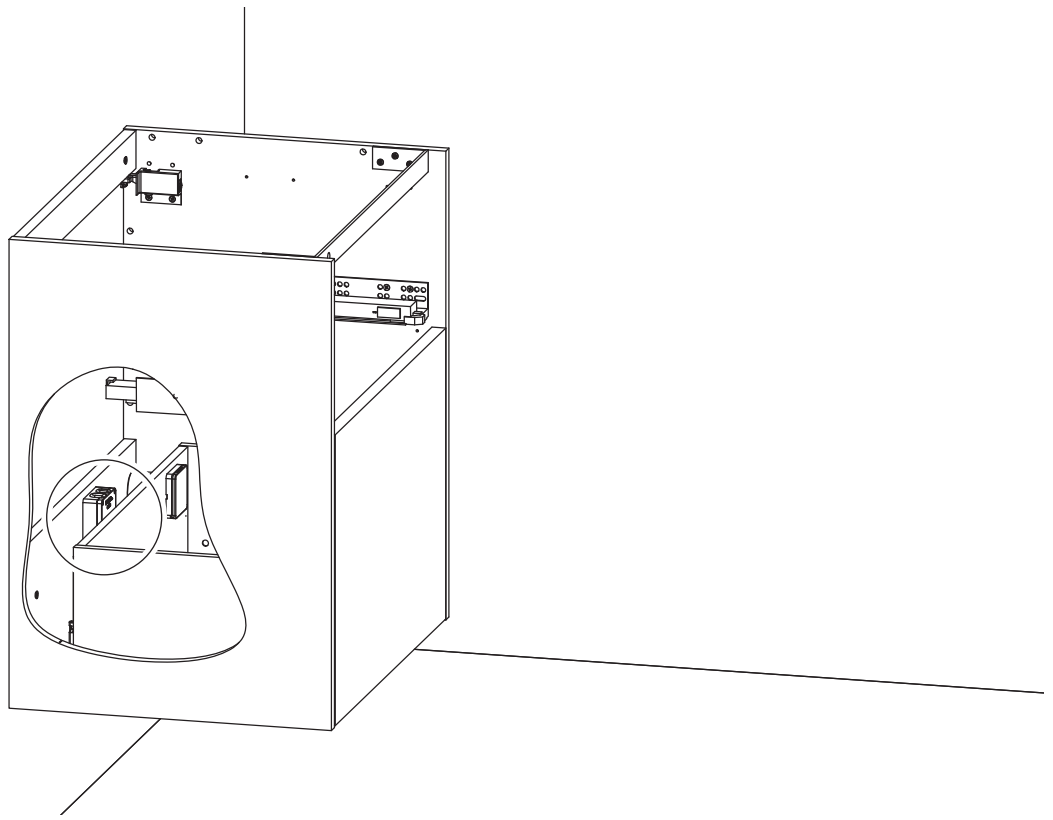


➔ 10

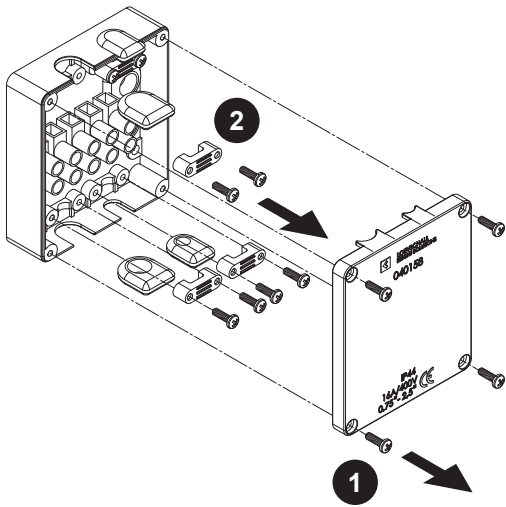


➔ 11

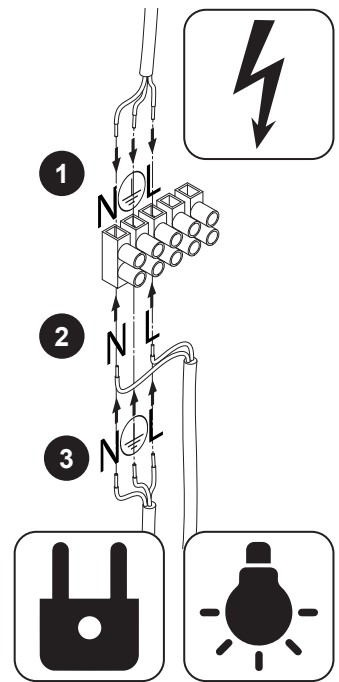
10



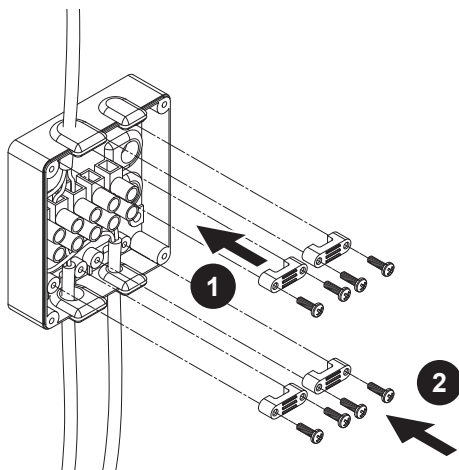
10A



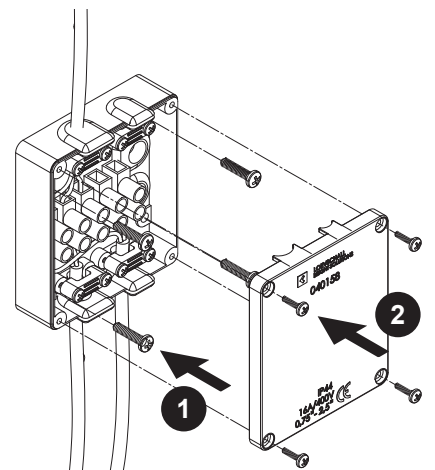
10B



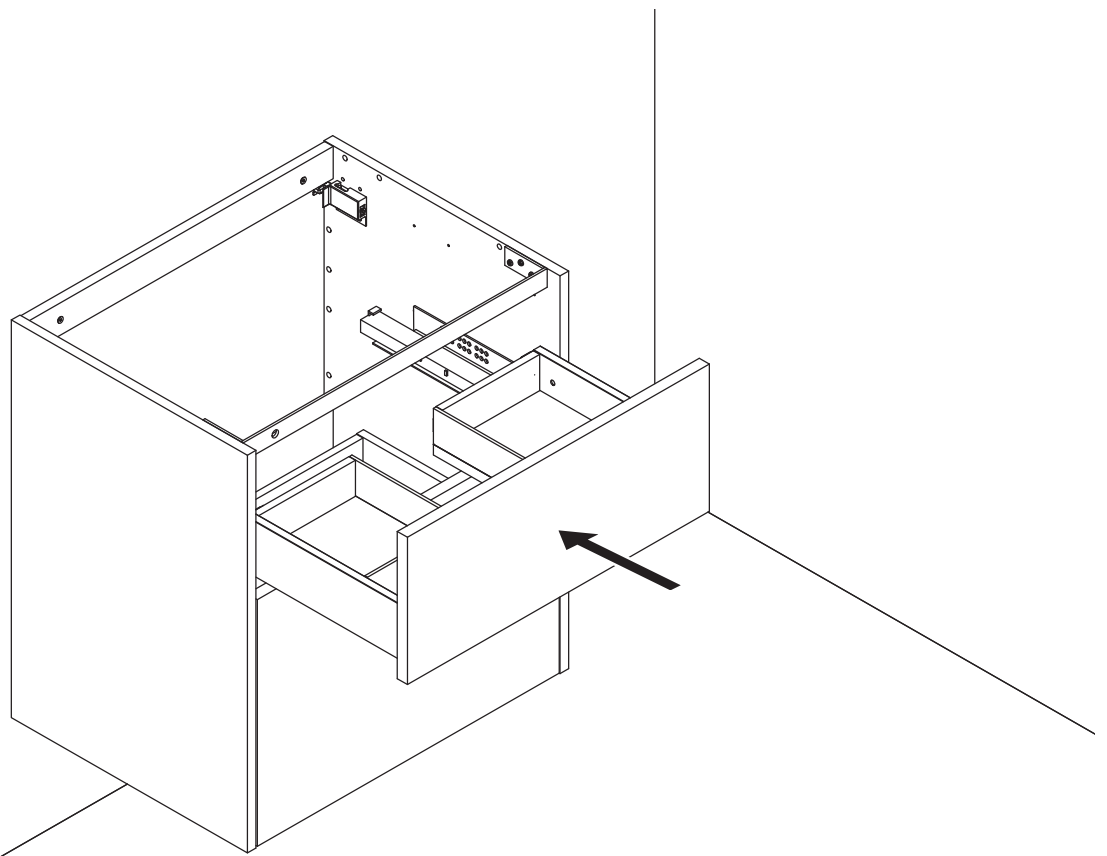
10C



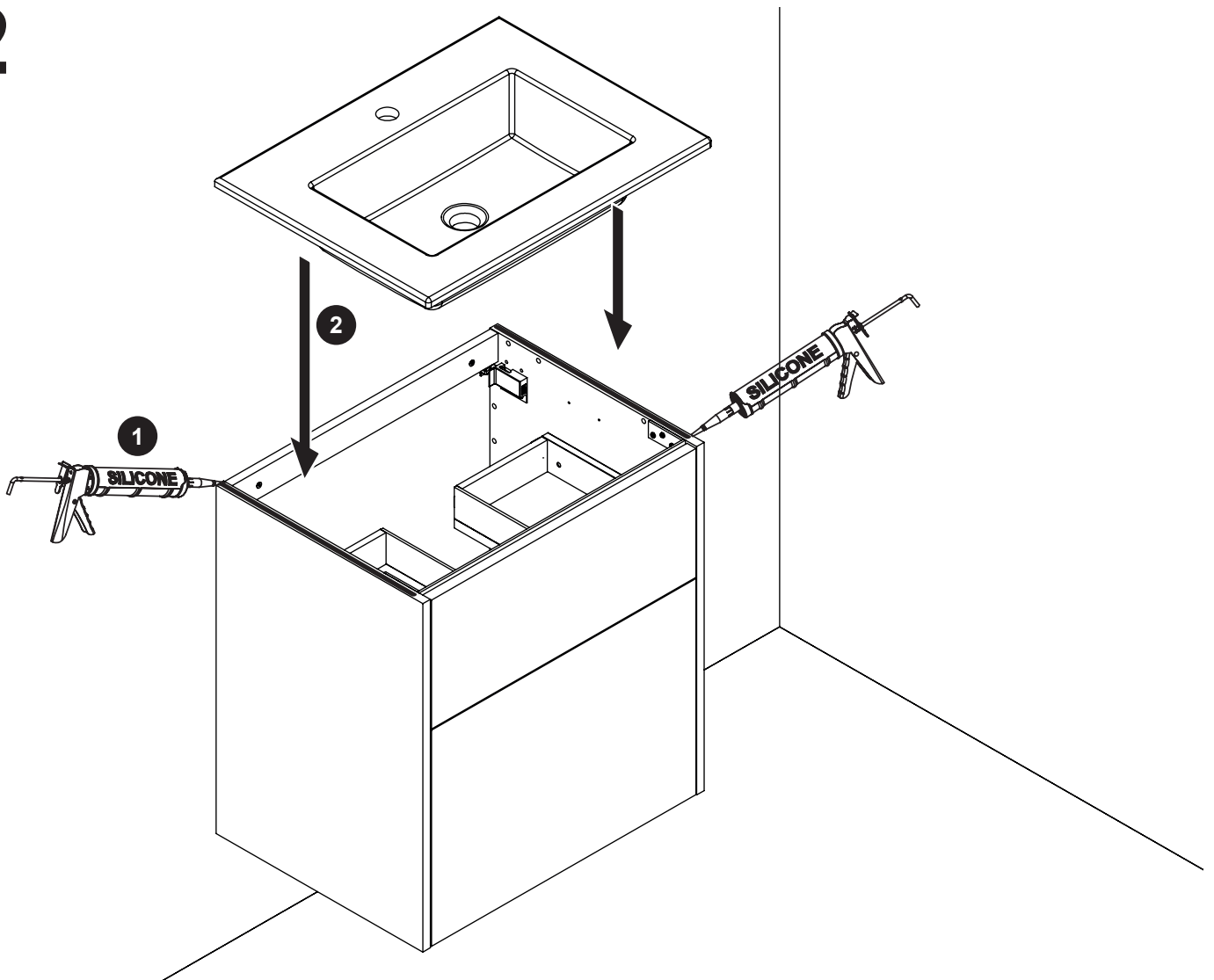
10D



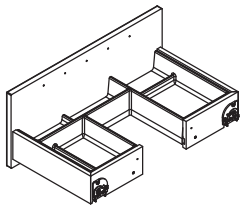
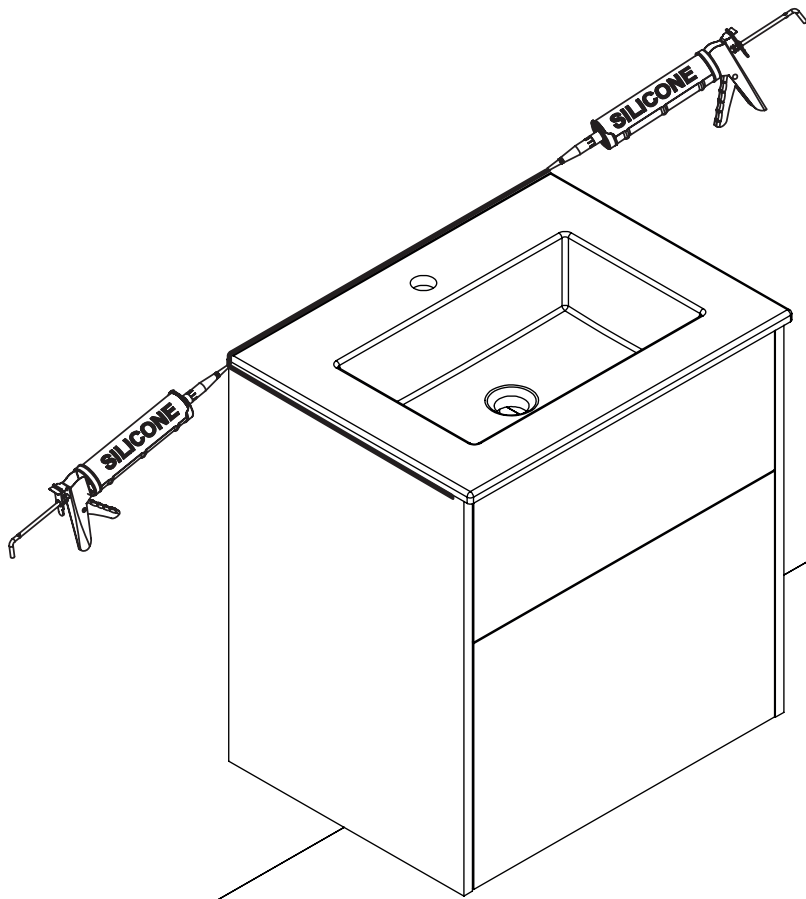
11



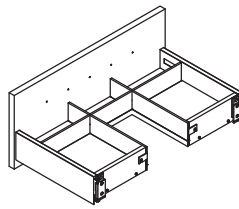
12



13

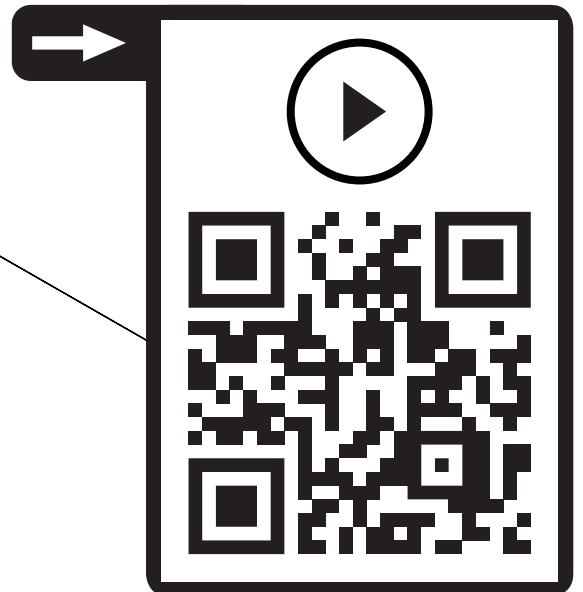
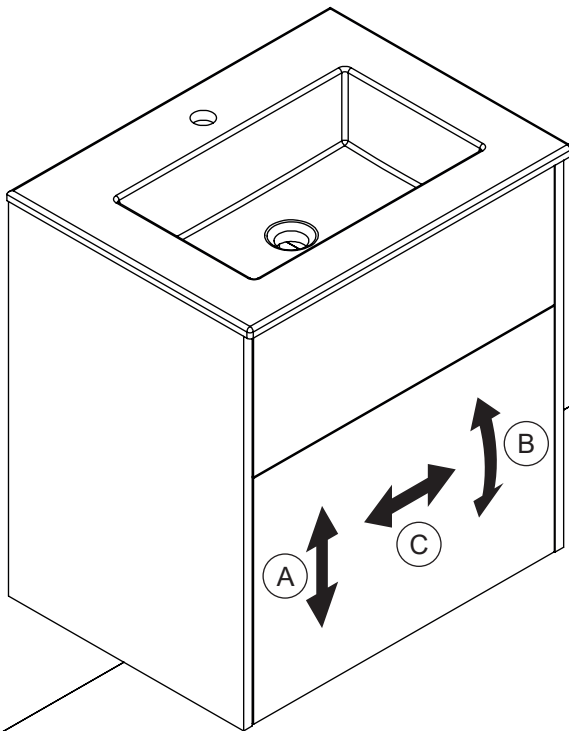


→ 14

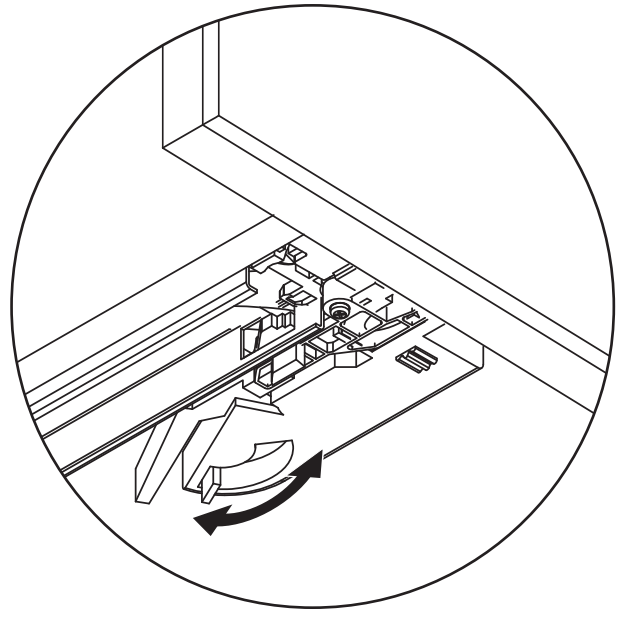
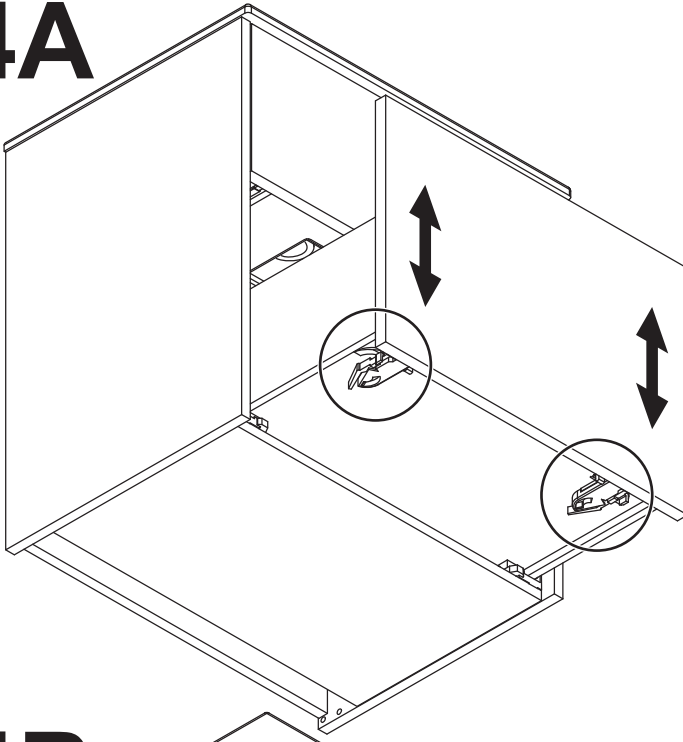


→ 15

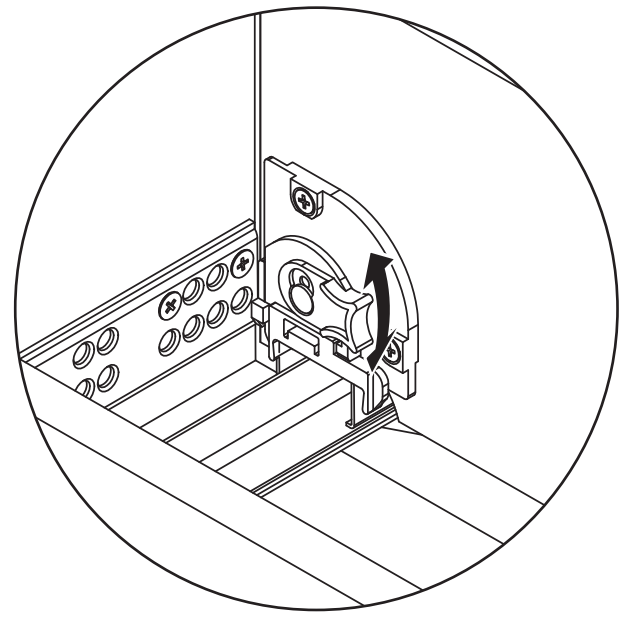
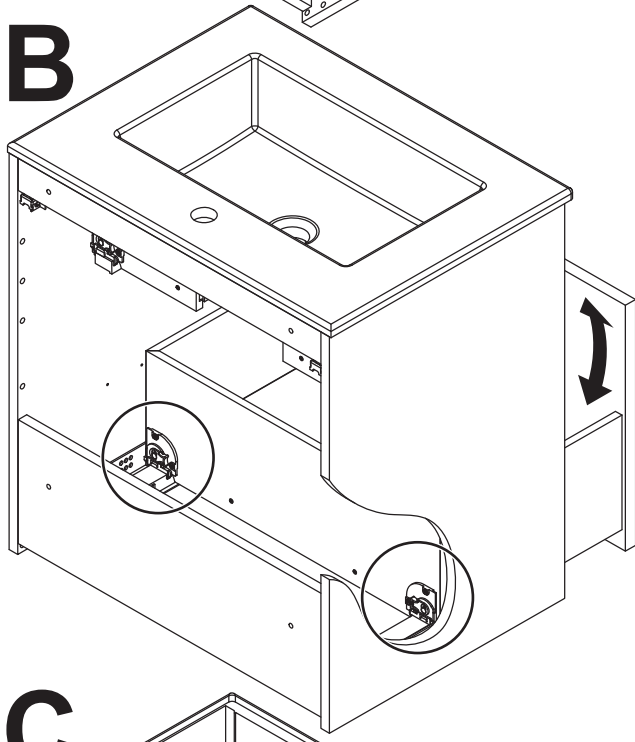
14



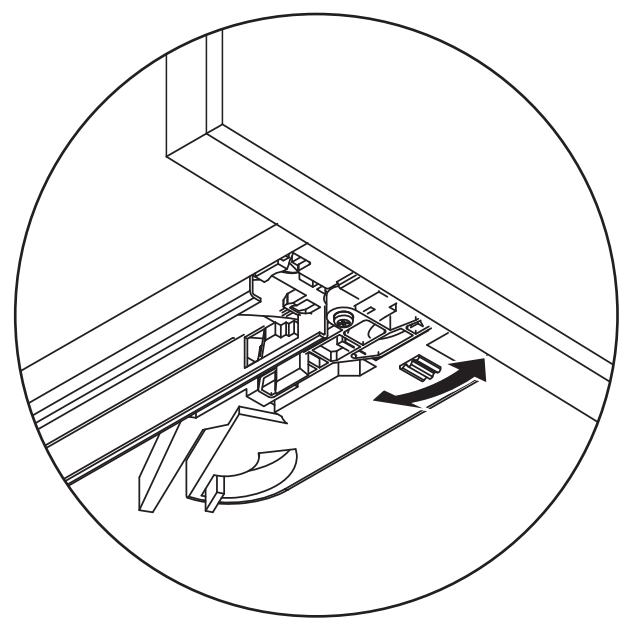
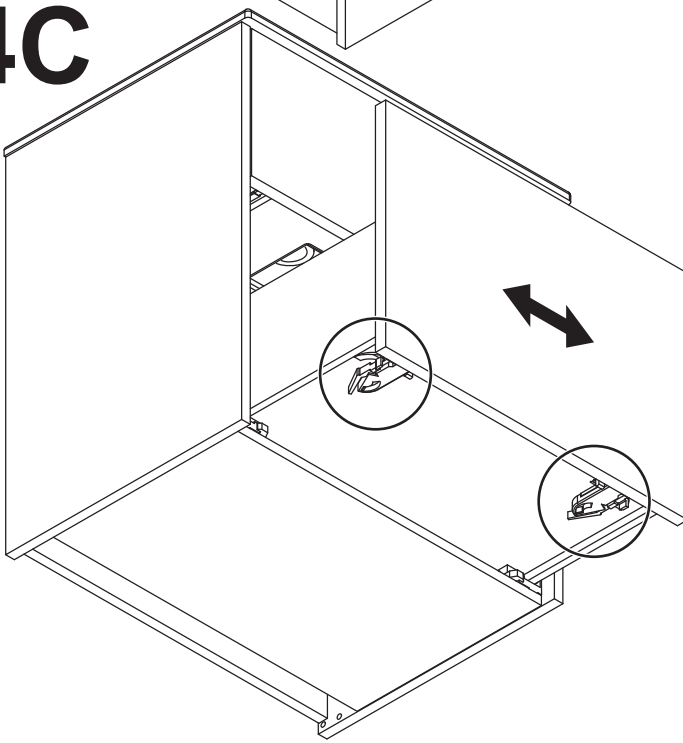
14A



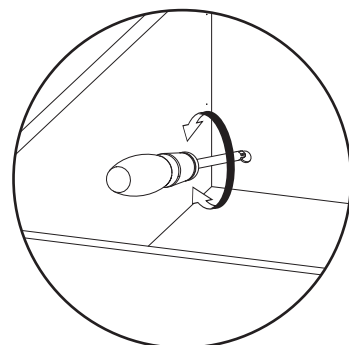
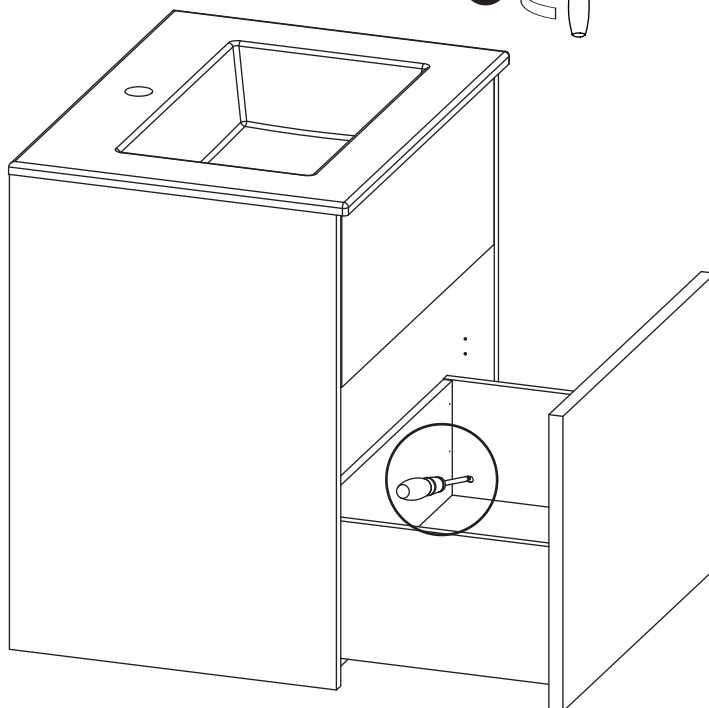
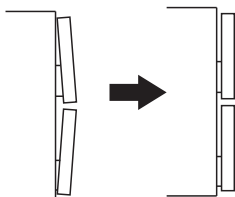
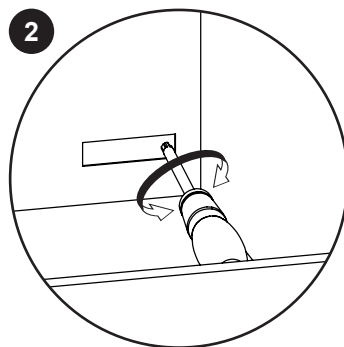
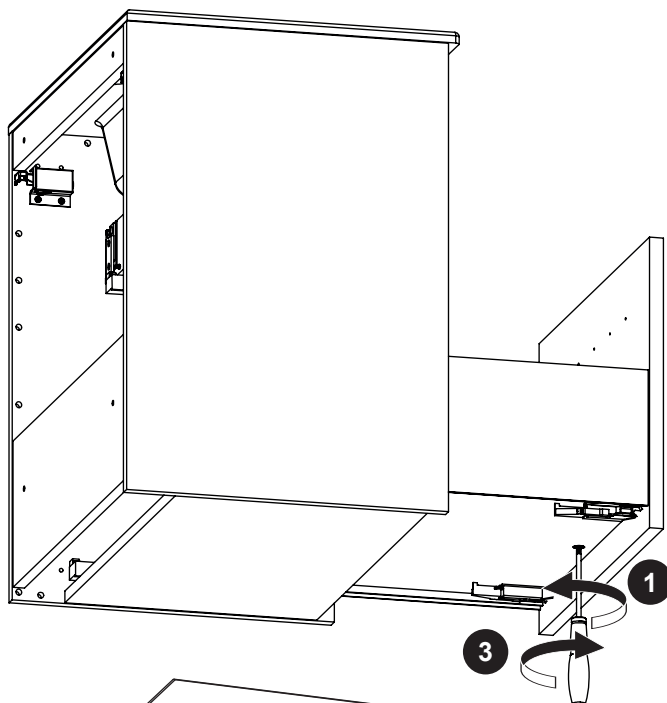
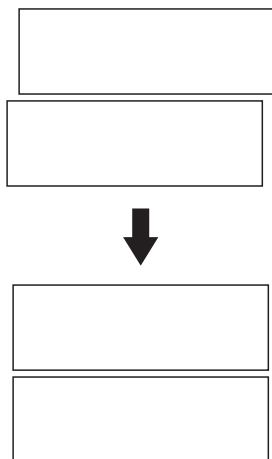
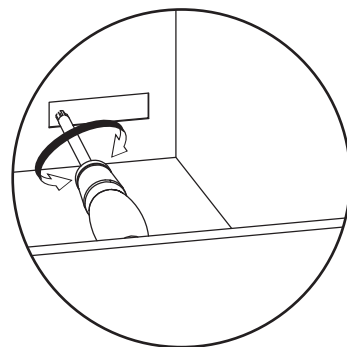
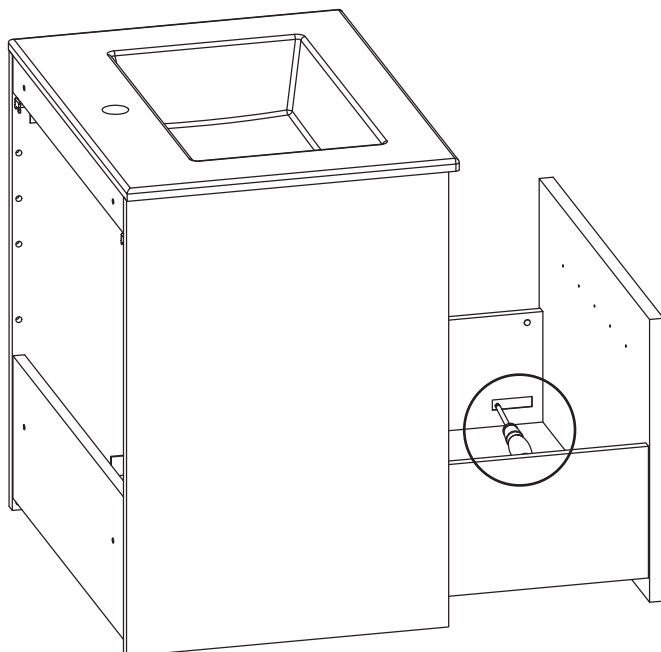
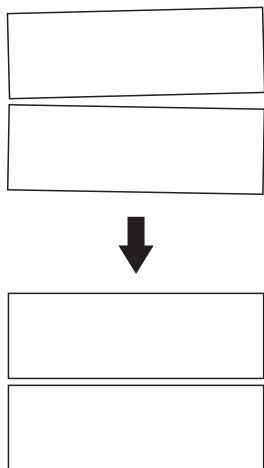
14B



14C



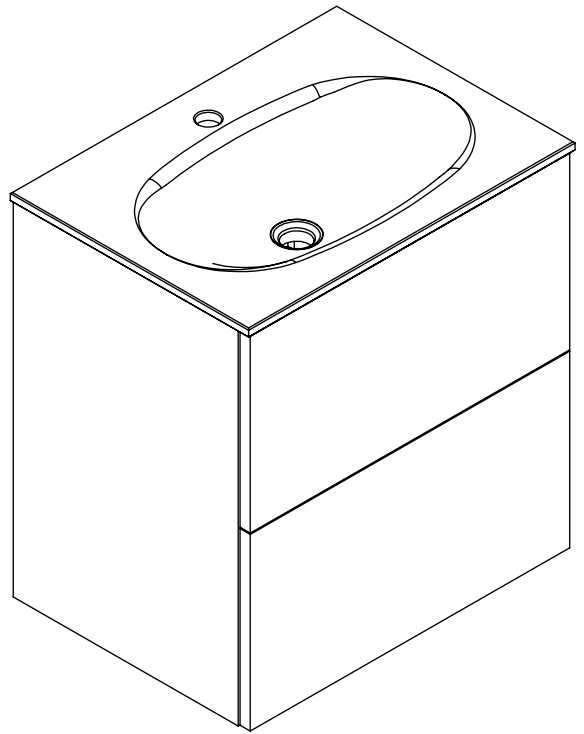
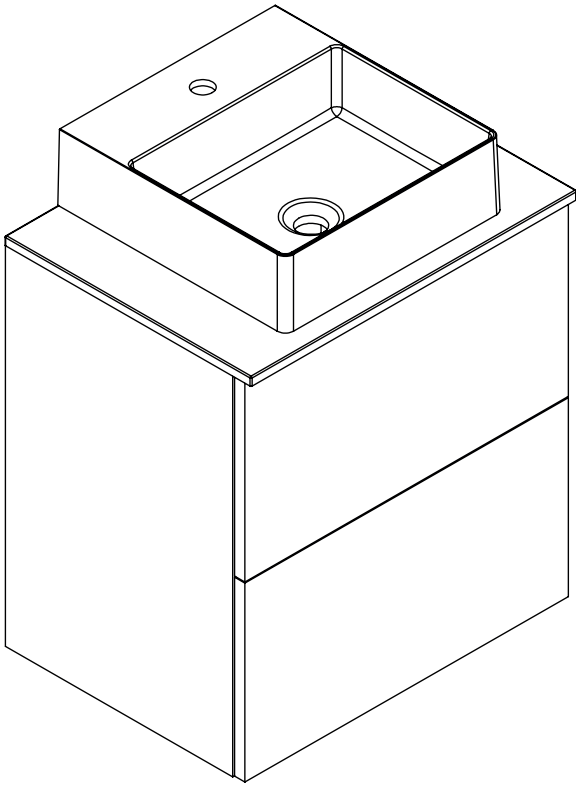
15



5 713804 053077



DANSANI
DANISH BATHROOM DESIGN





4x
5-500



4x
5,0-60SU



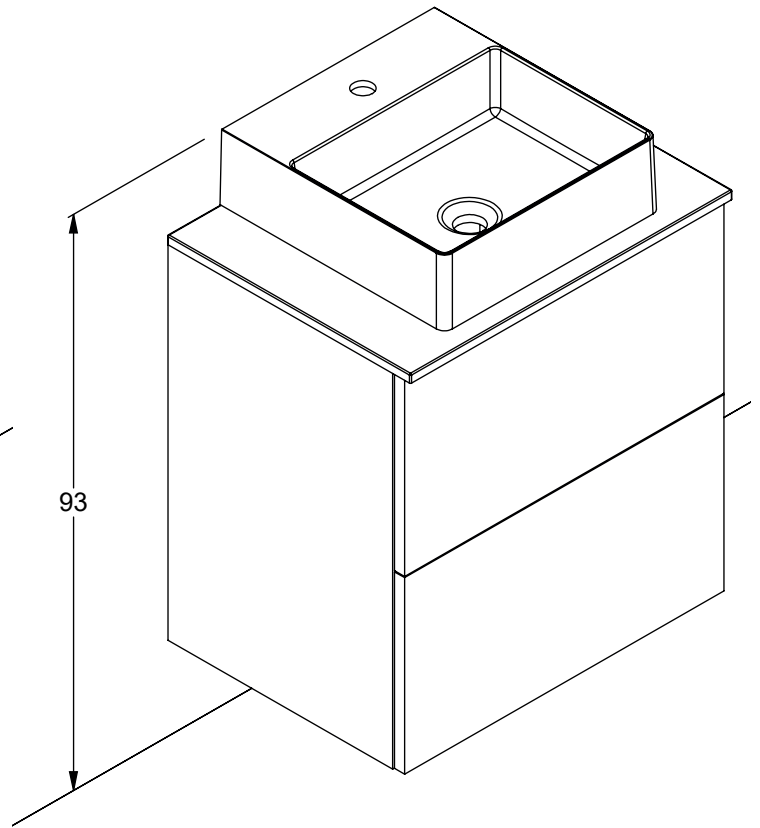
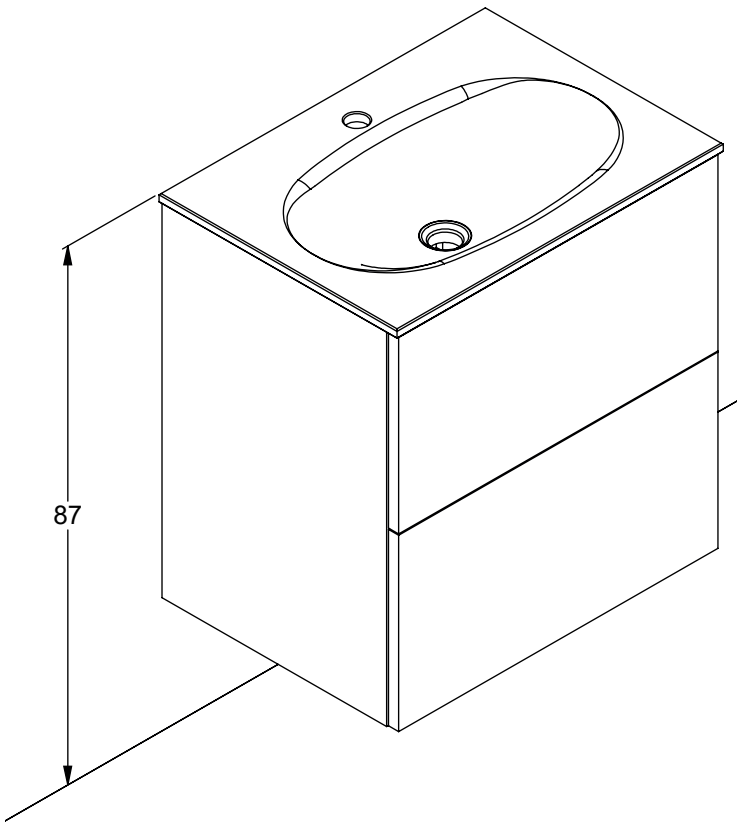
2x
190310601



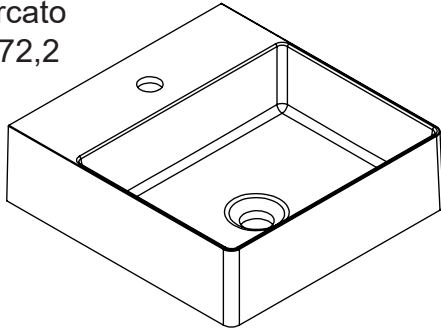
2x
190310600



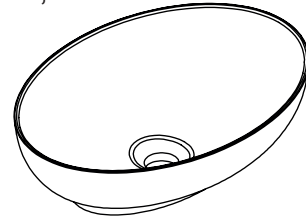
8x
195000000



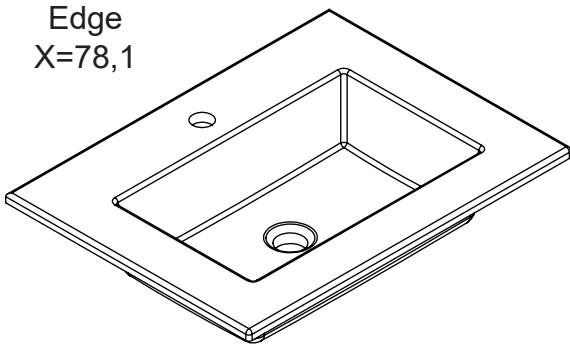
Marcato
X=72,2



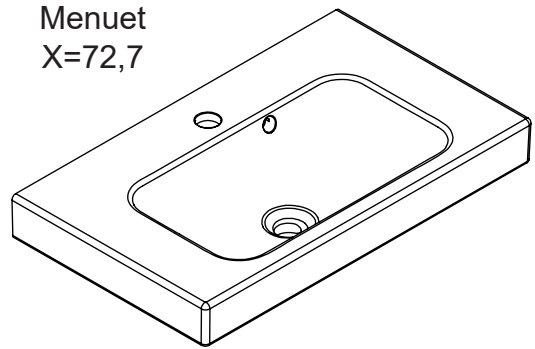
Sonate
X=72,7



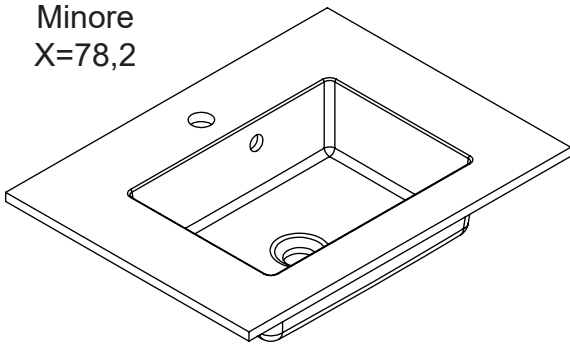
Edge
X=78,1



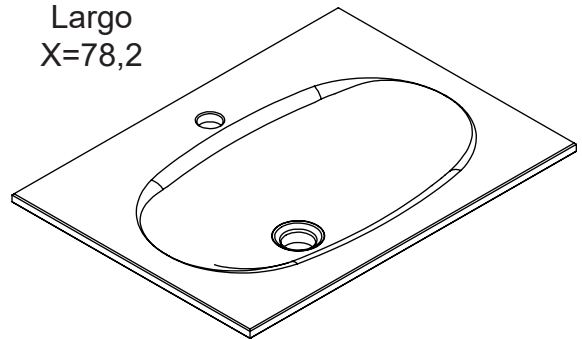
Menuet
X=72,7



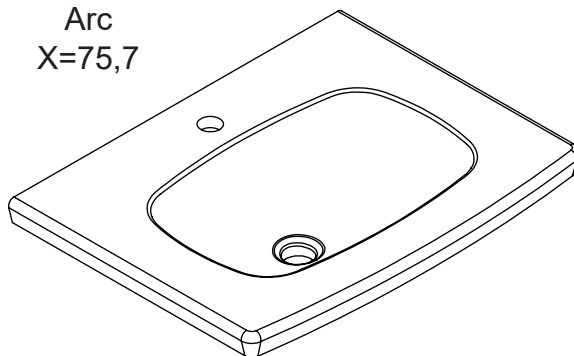
Minore
X=78,2



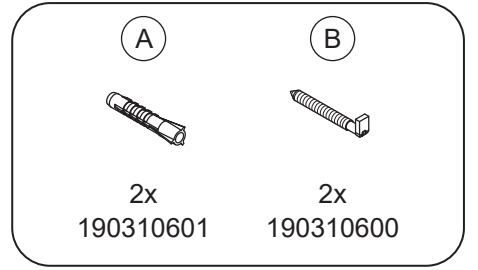
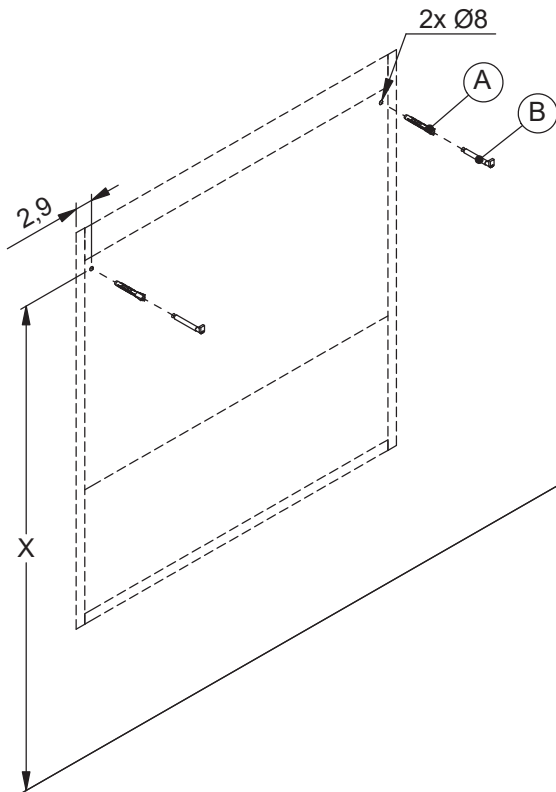
Largo
X=78,2



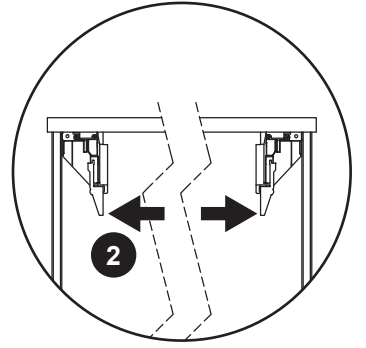
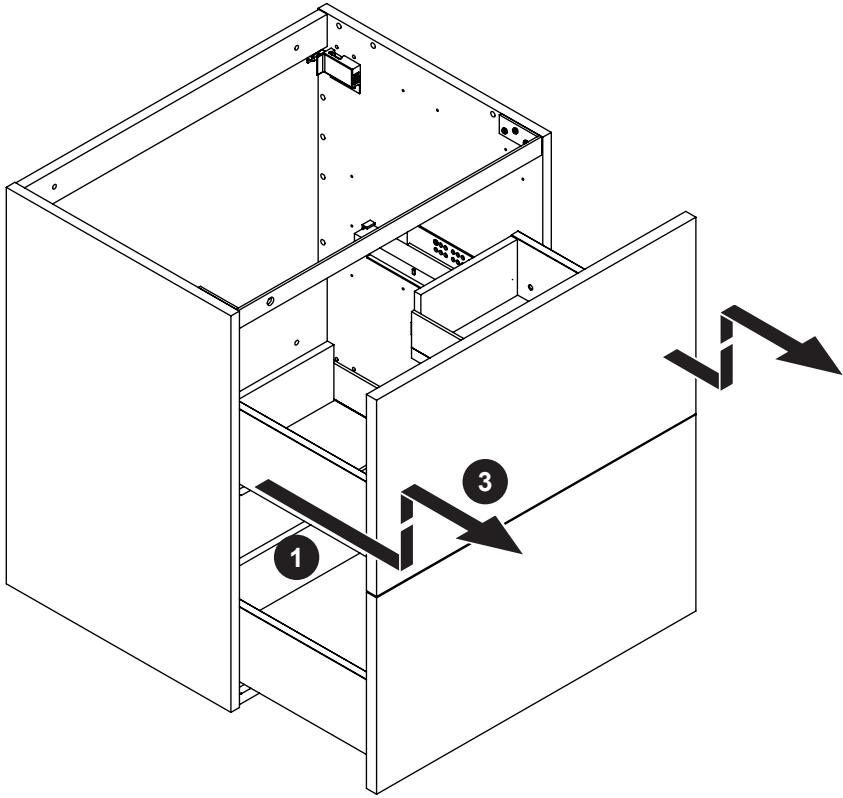
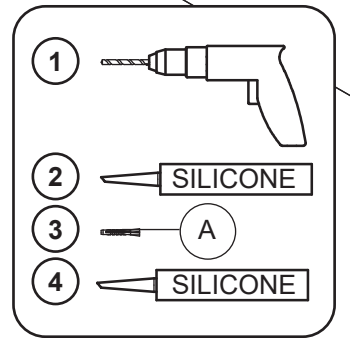
Arc
X=75,7



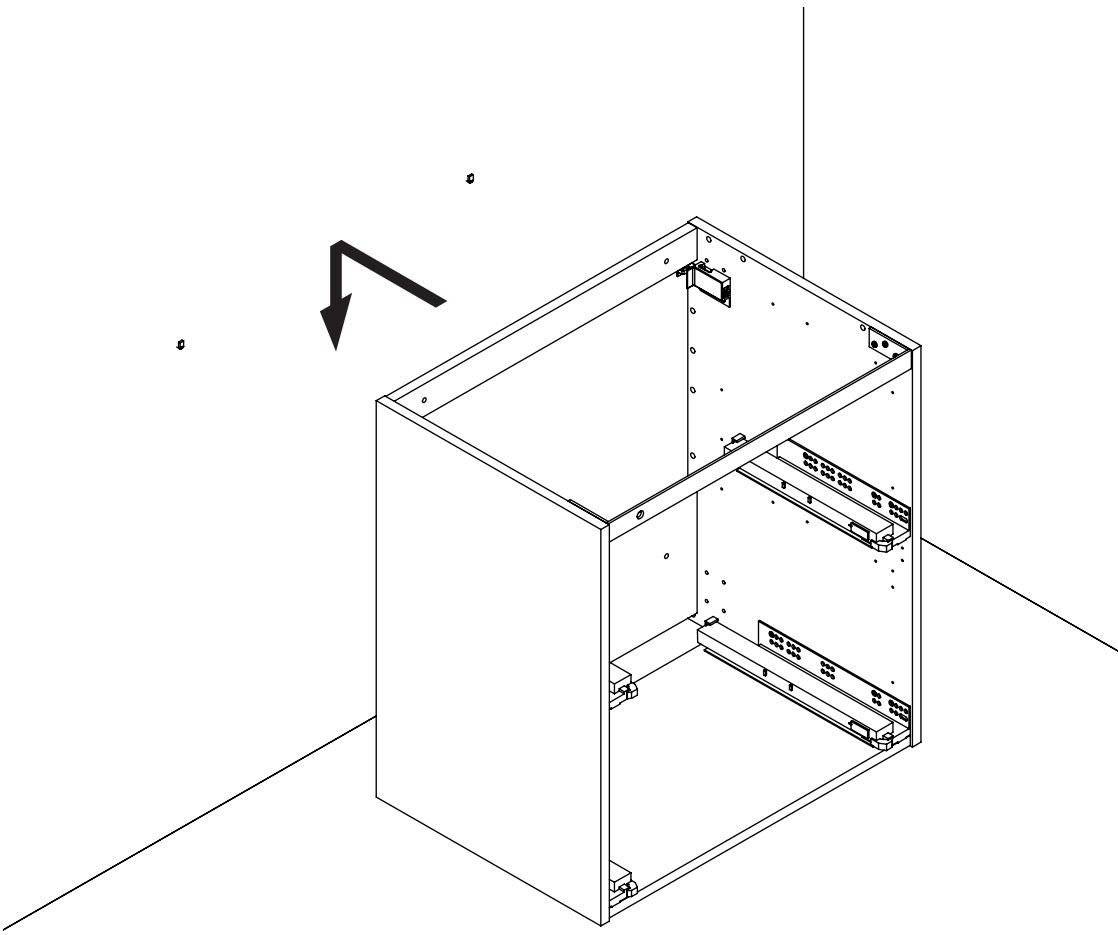
1



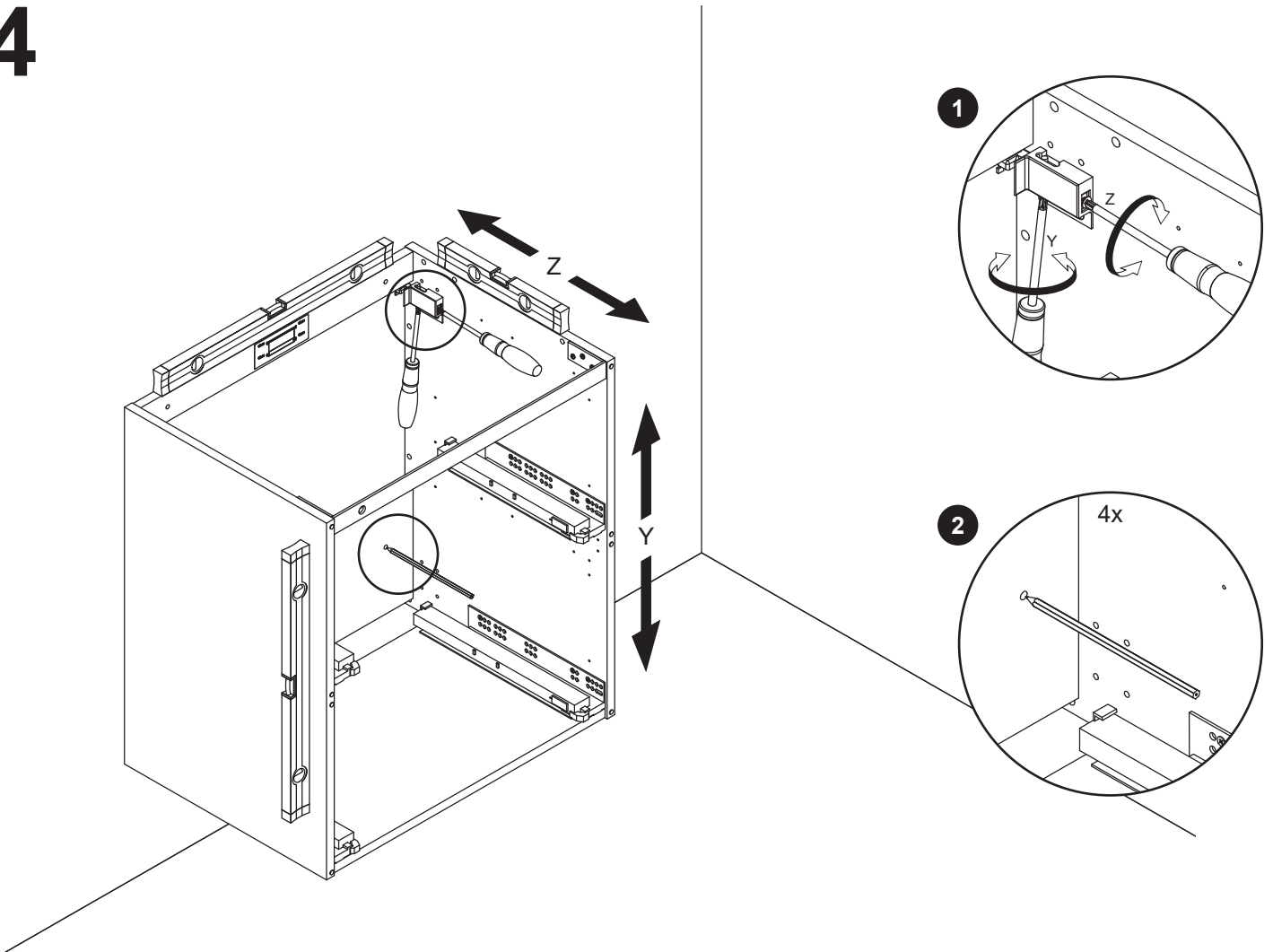
2



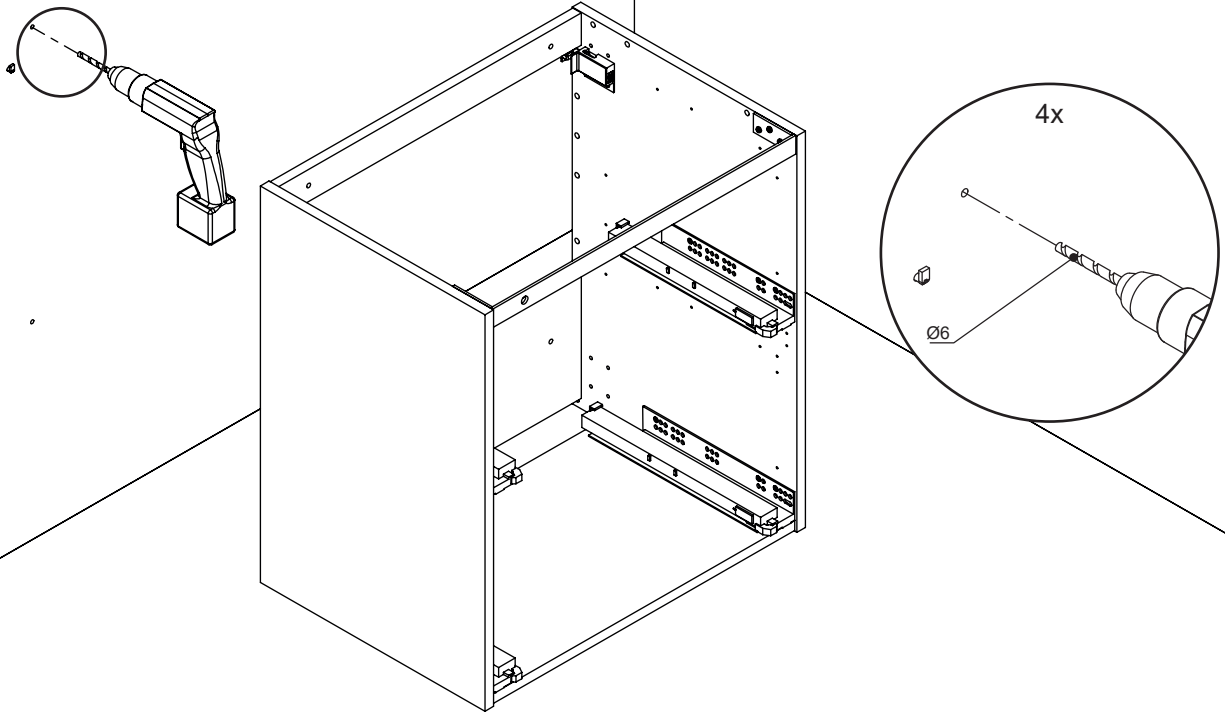
3



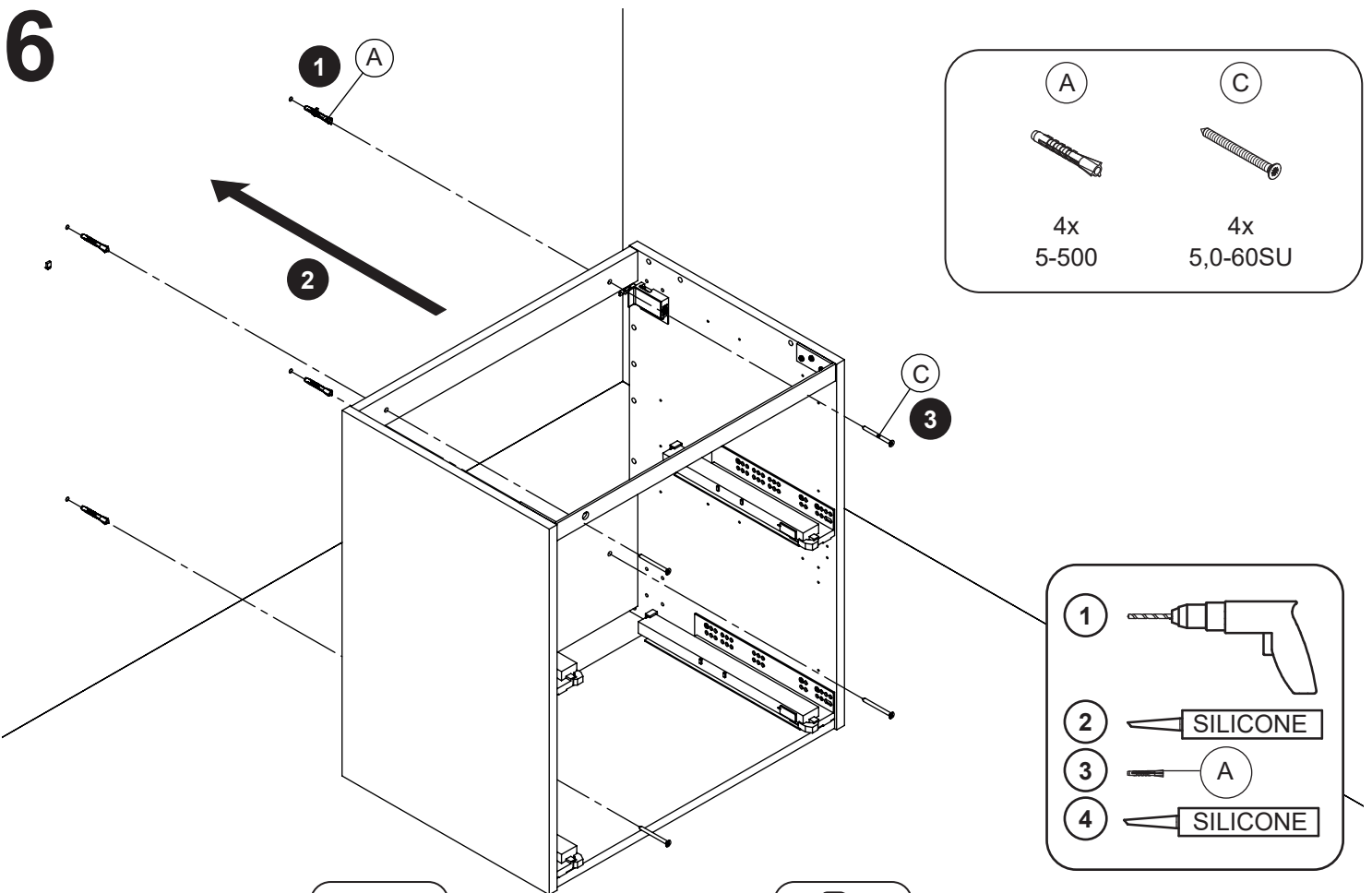
4



5



6

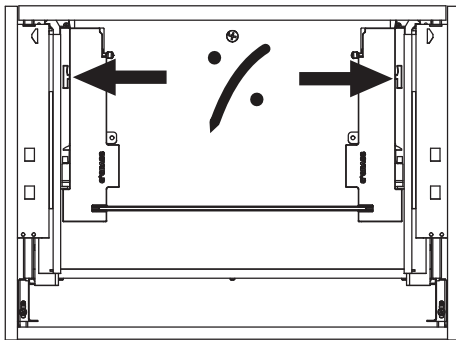
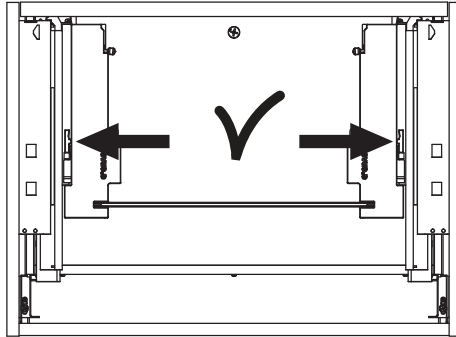


→ 7

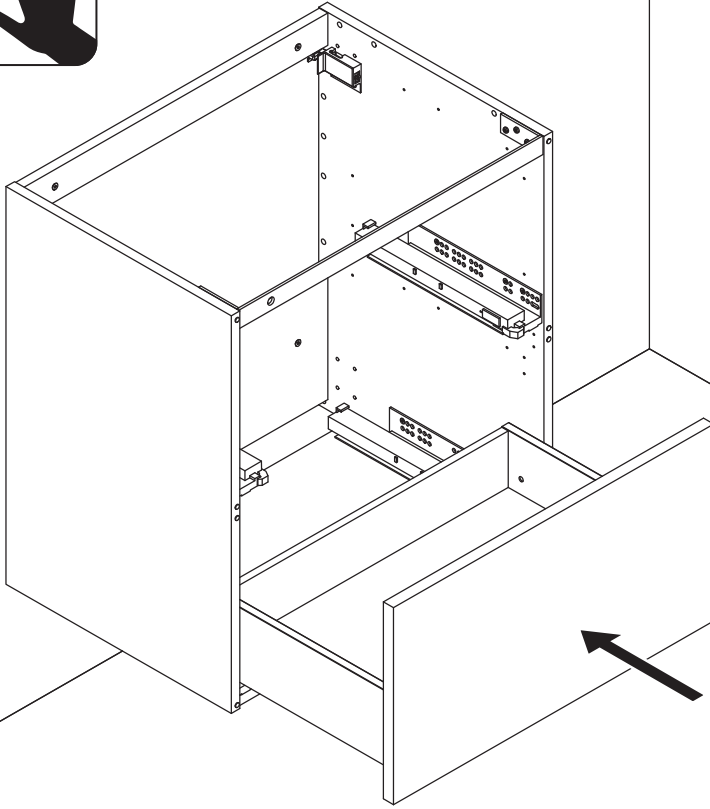


→ 12

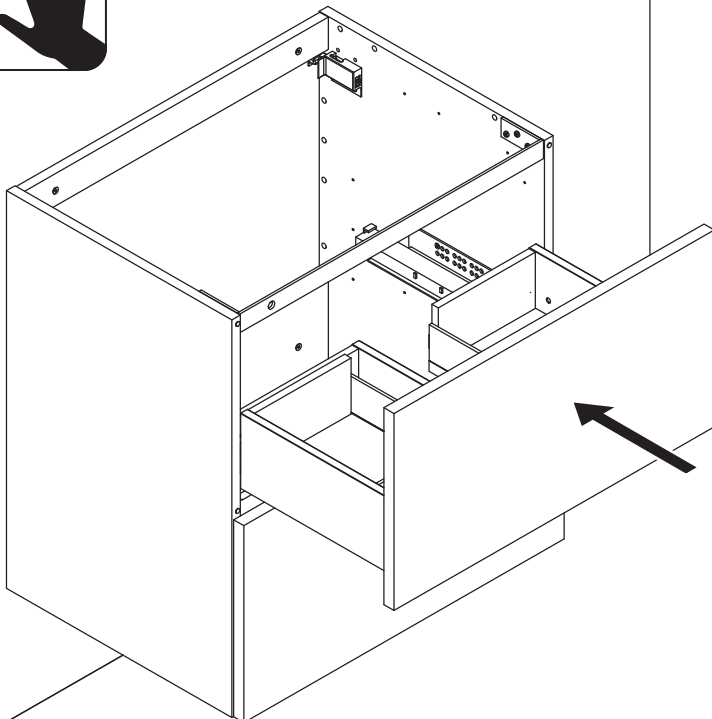
7



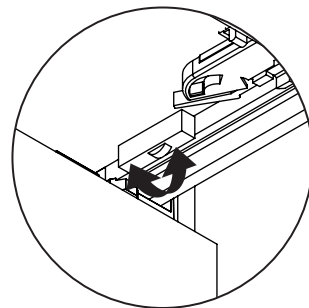
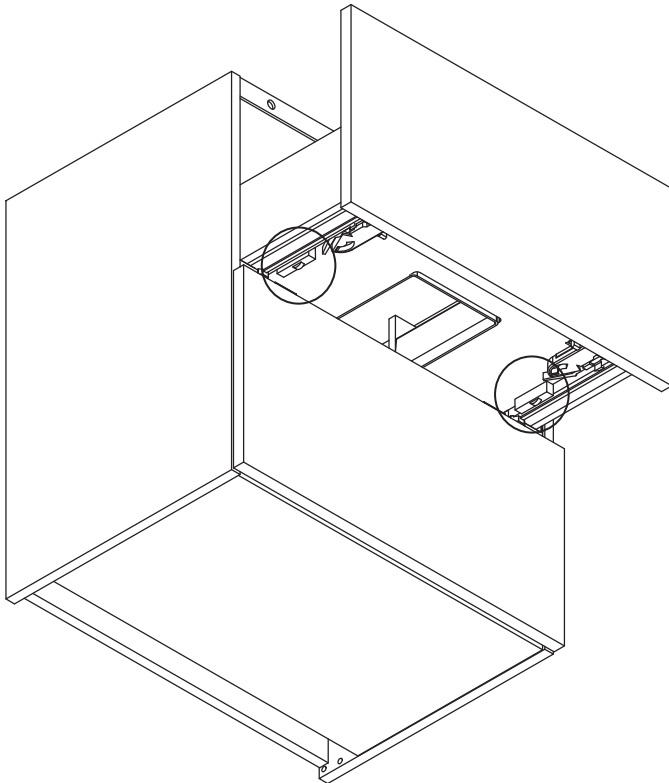
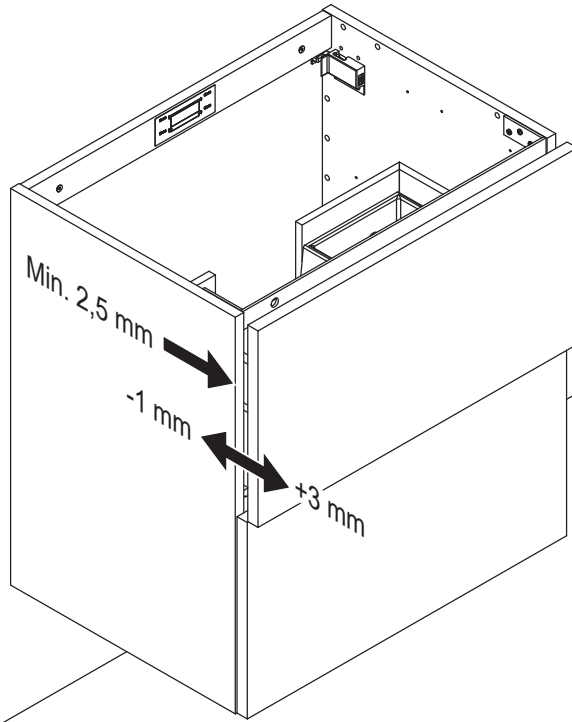
8



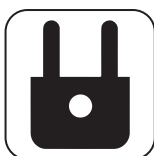
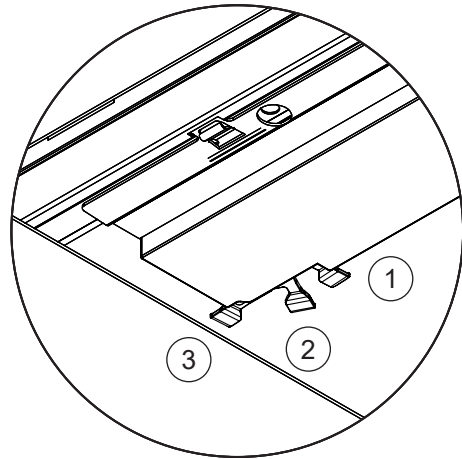
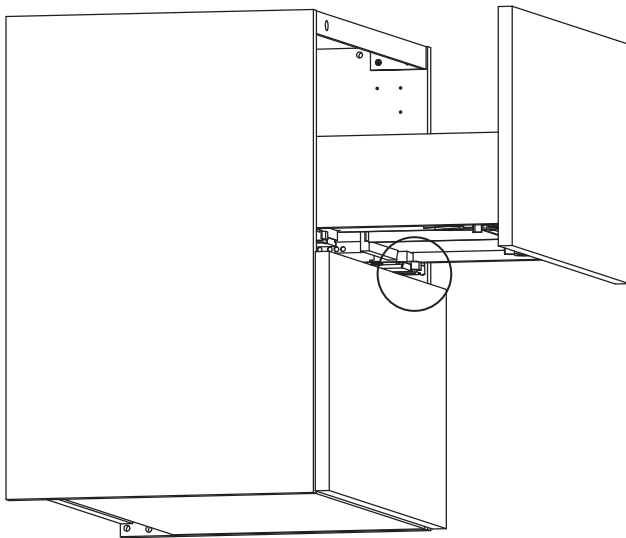
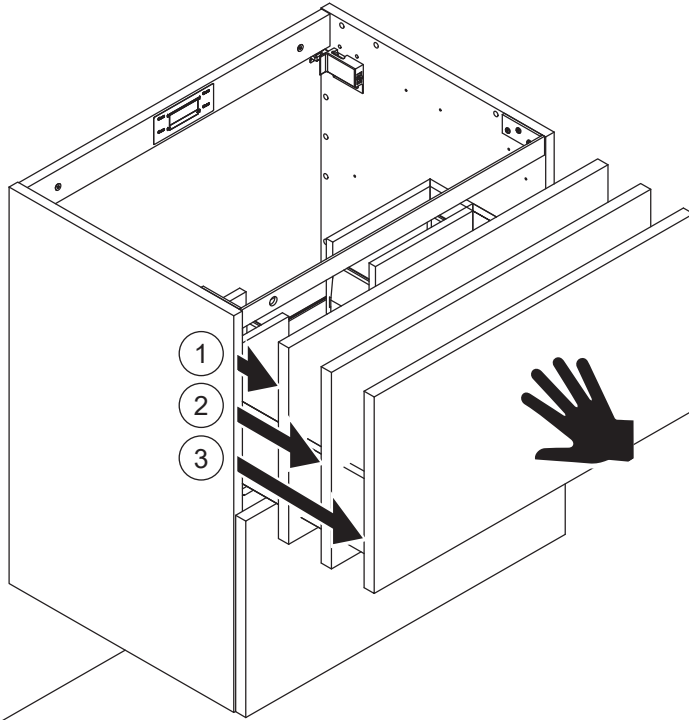
9



10



11

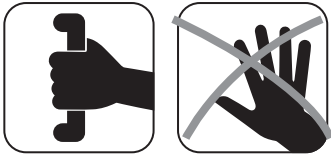


→ 15

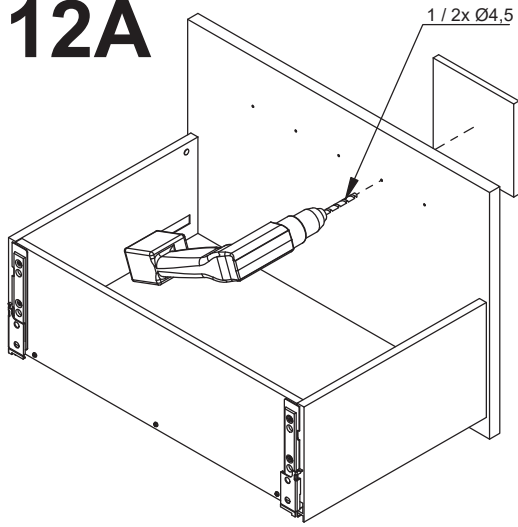


→ 16

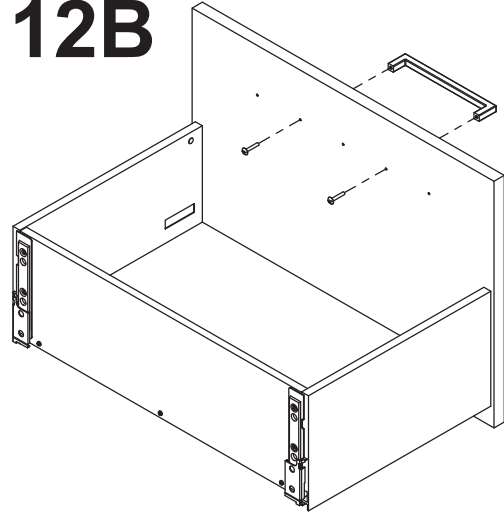
12



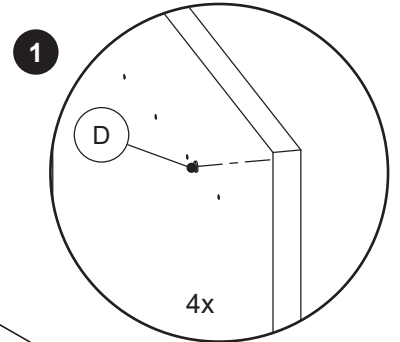
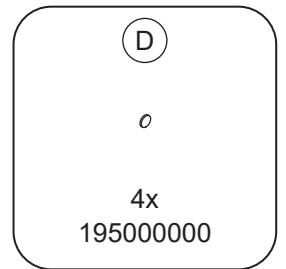
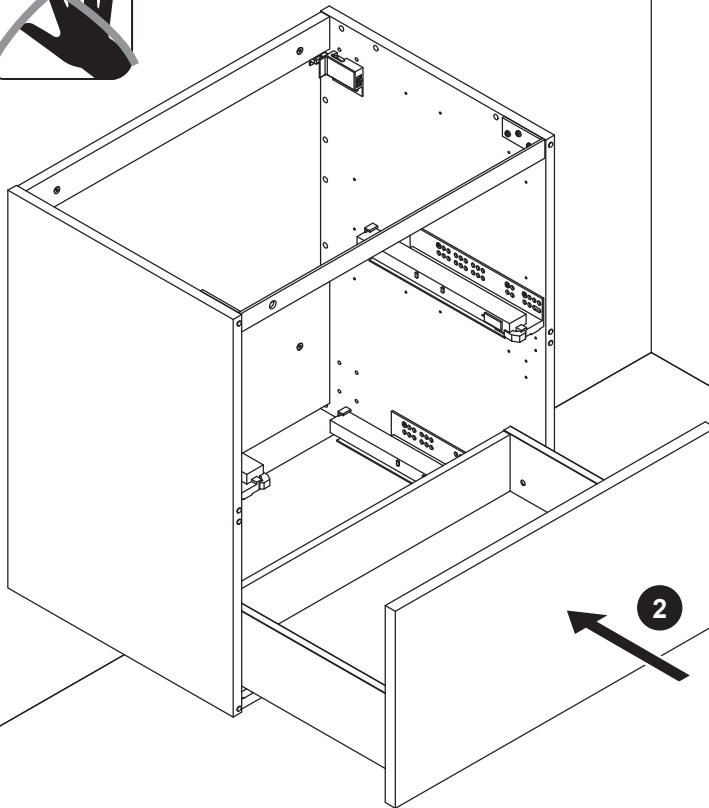
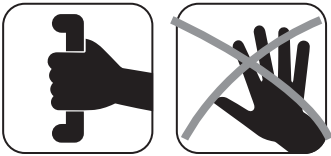
12A



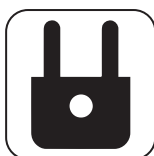
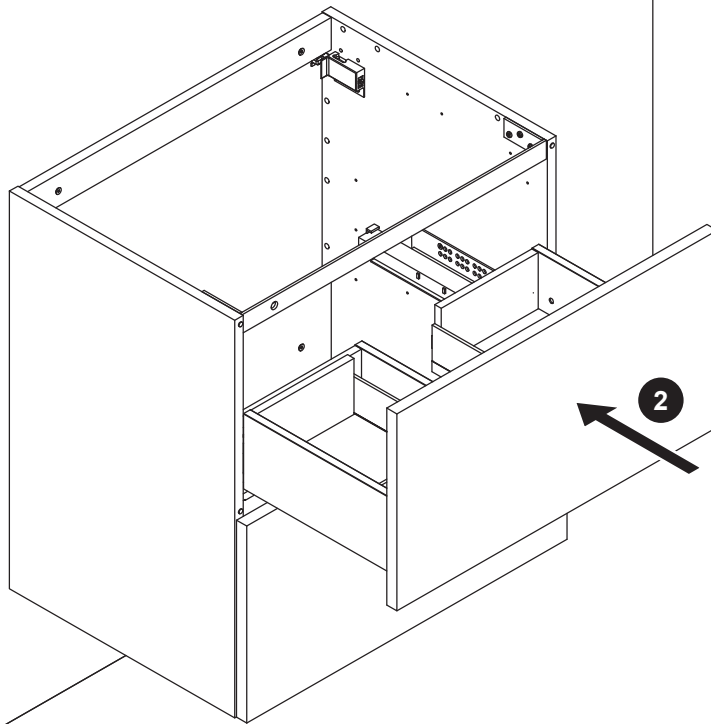
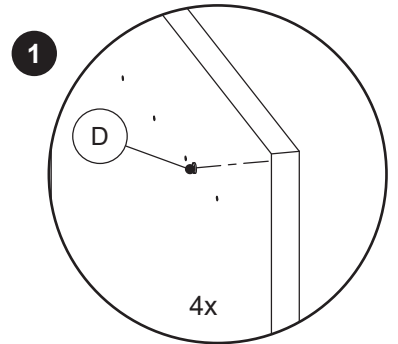
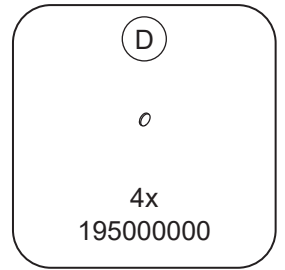
12B



13



14

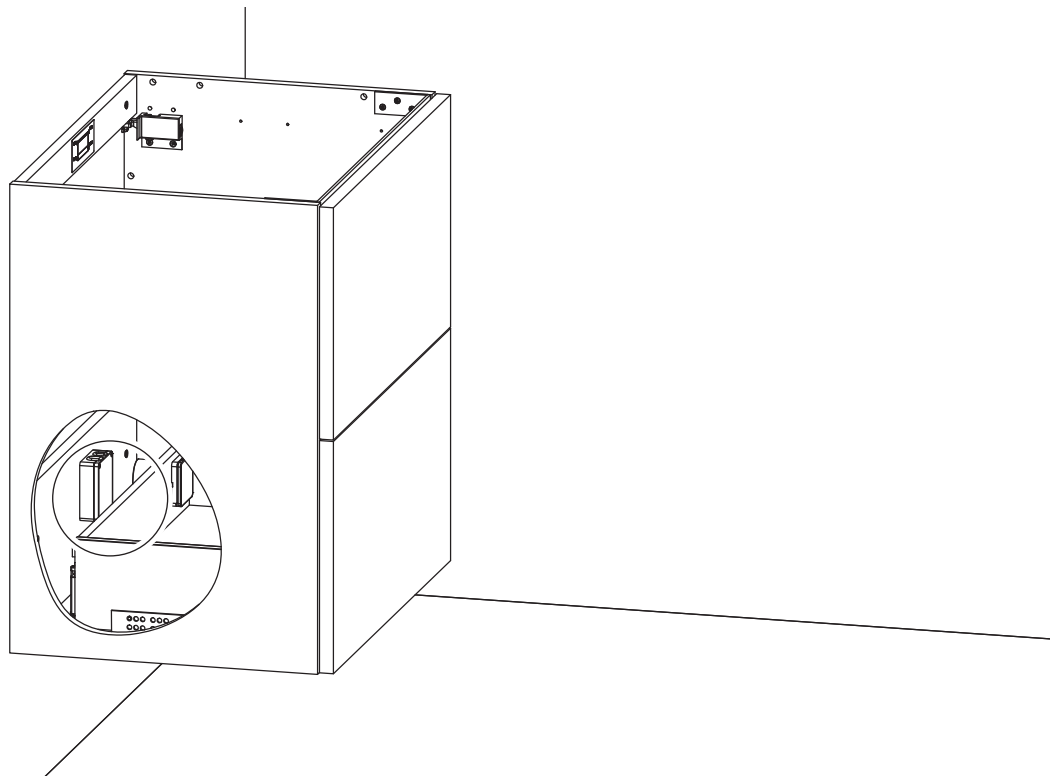


→ 15

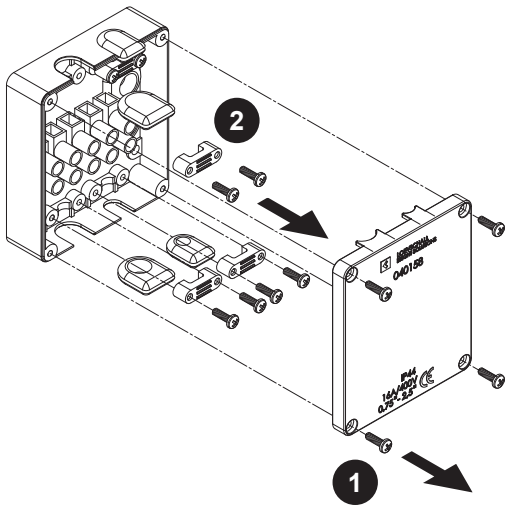


→ 16

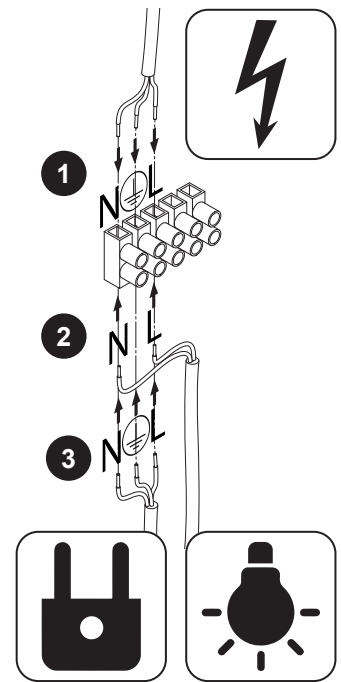
15



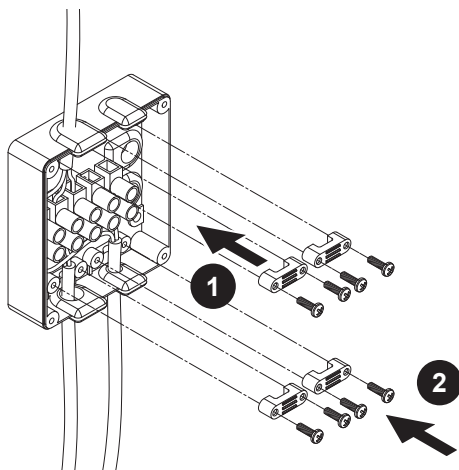
15A



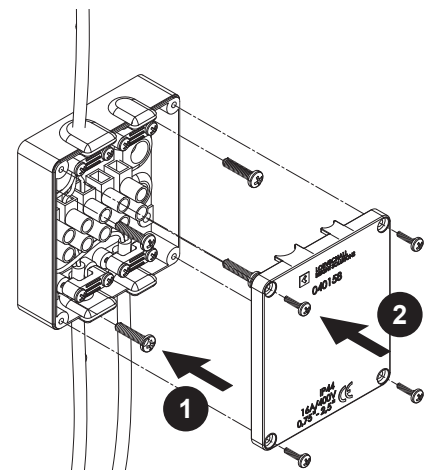
15B



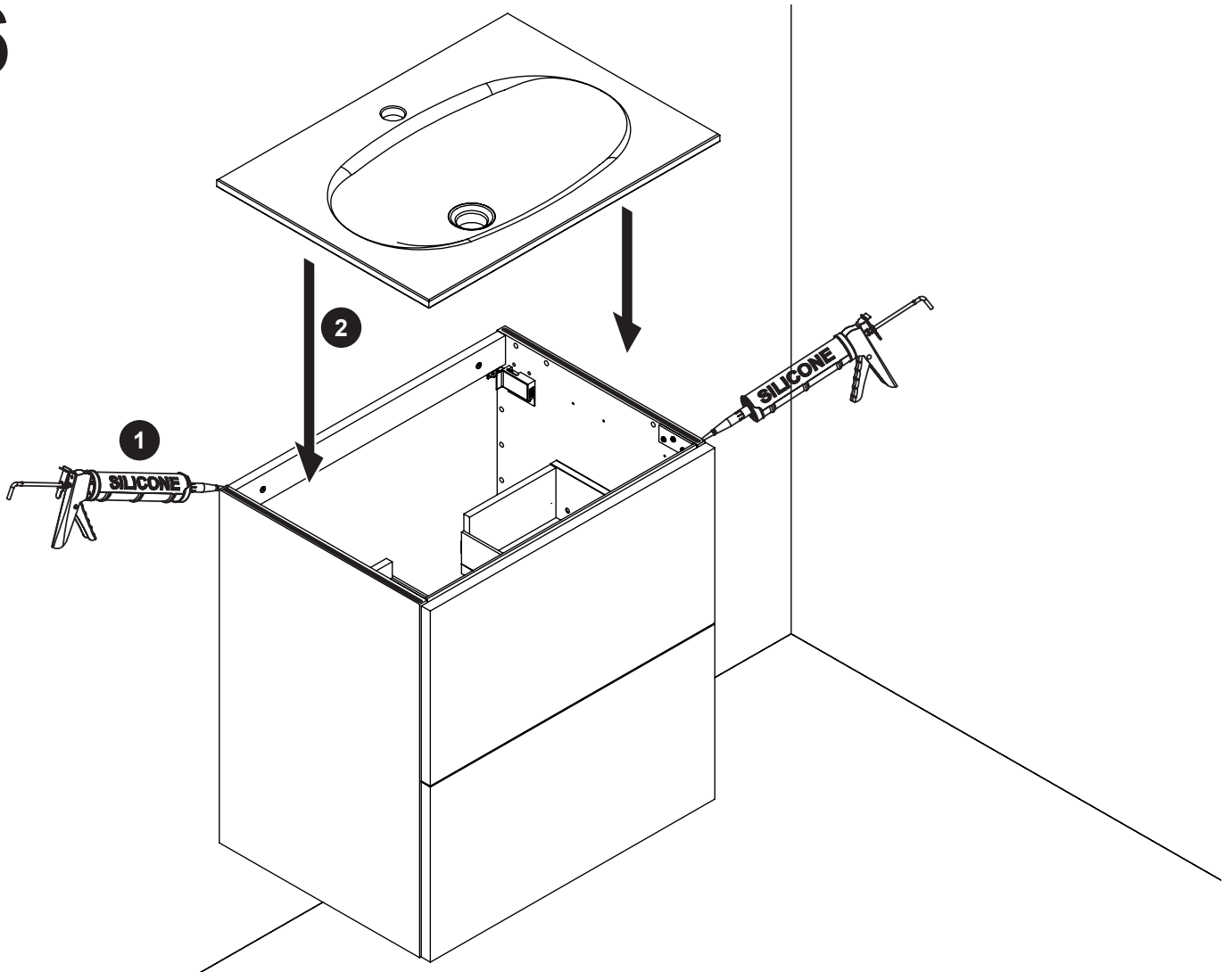
15C



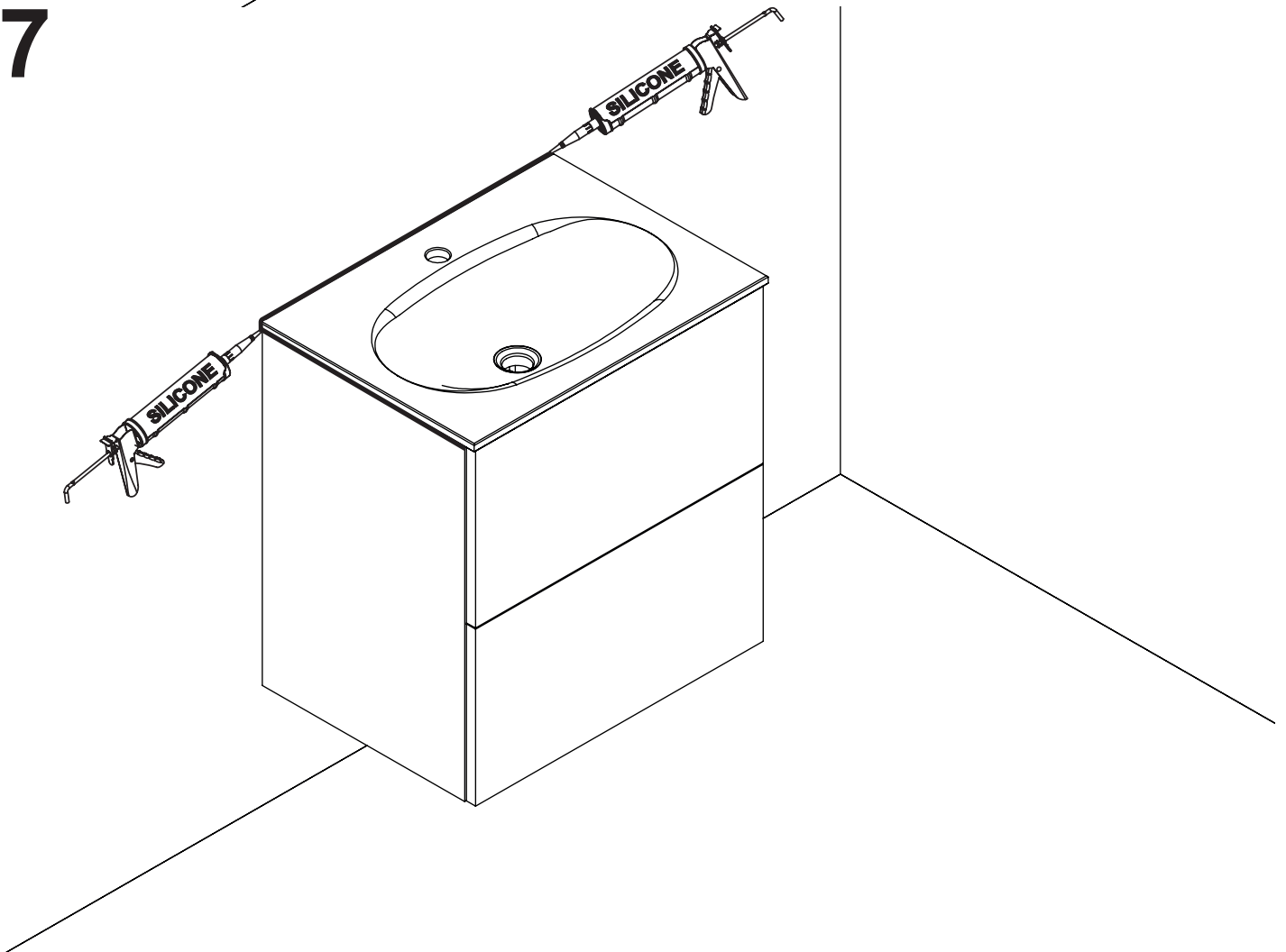
15D

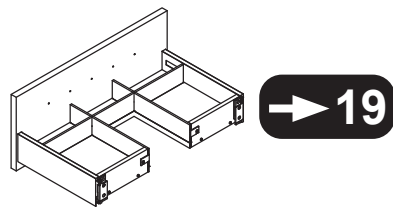
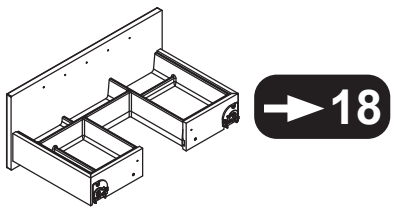


16

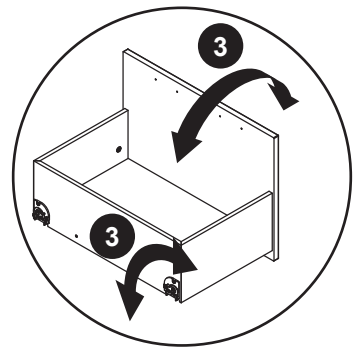
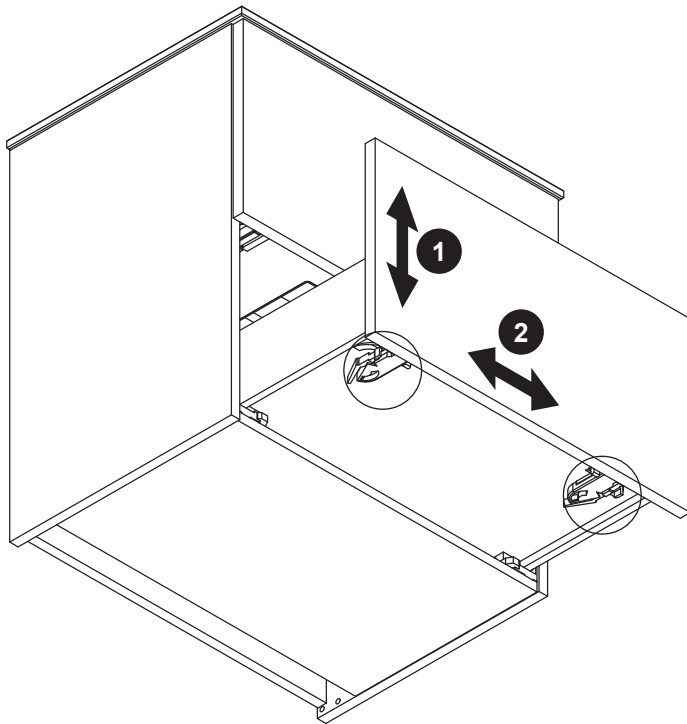


17

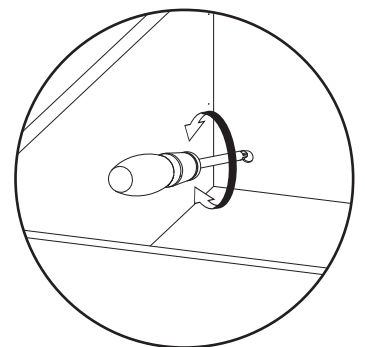
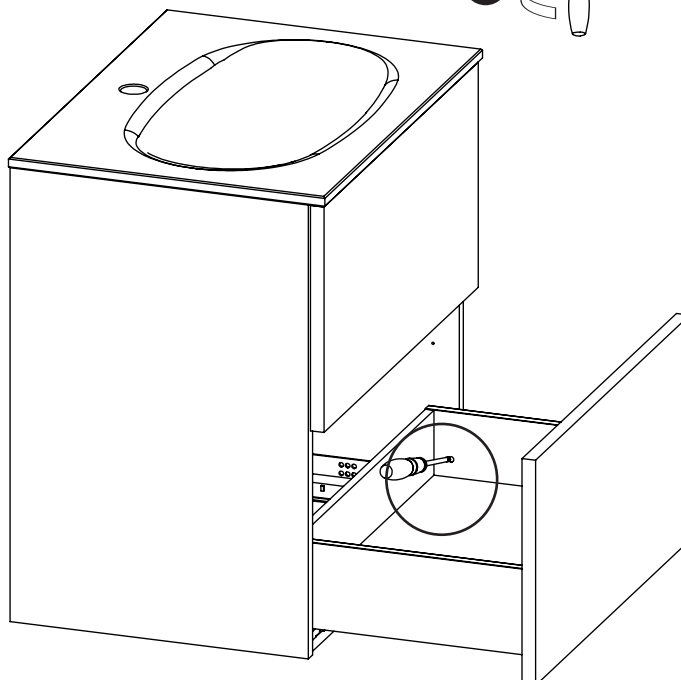
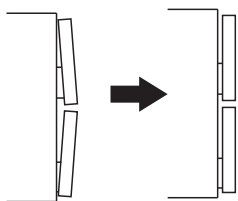
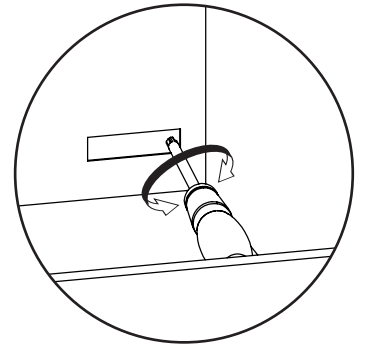
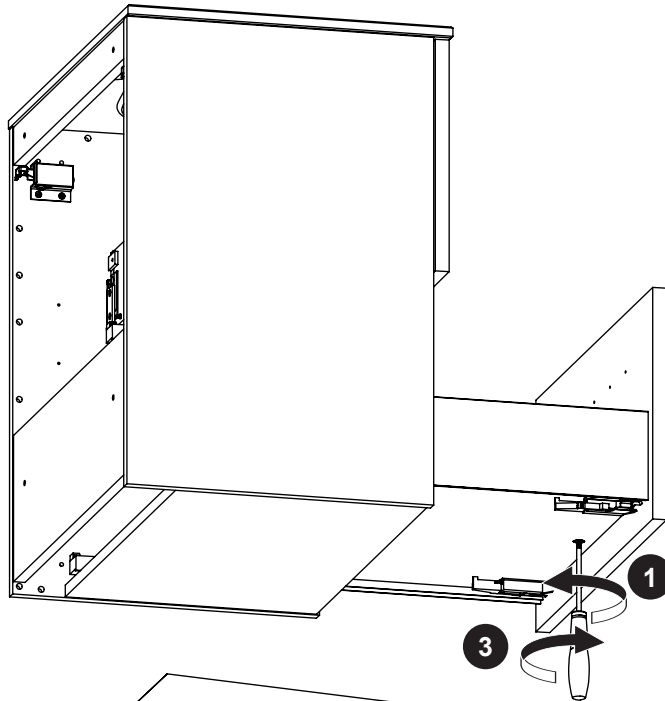
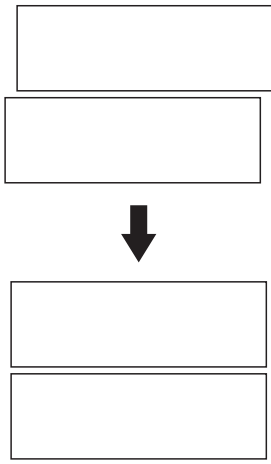
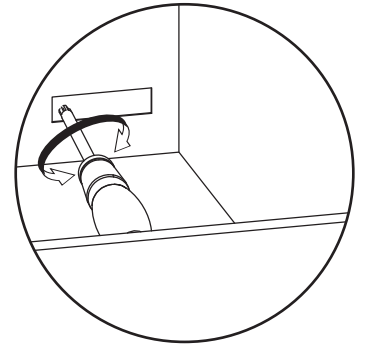
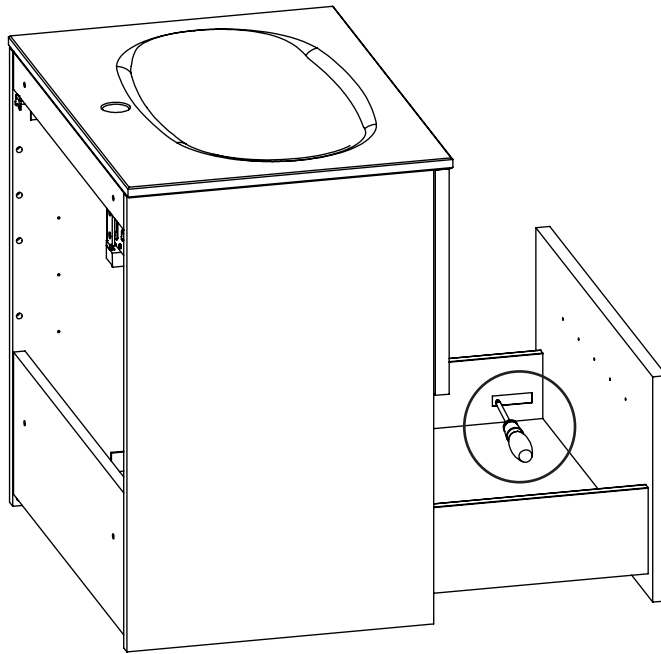
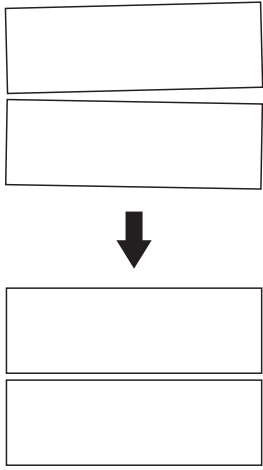




18



19



5 713804 053084