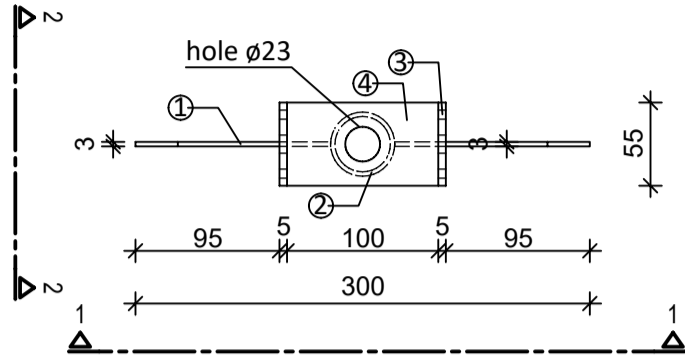
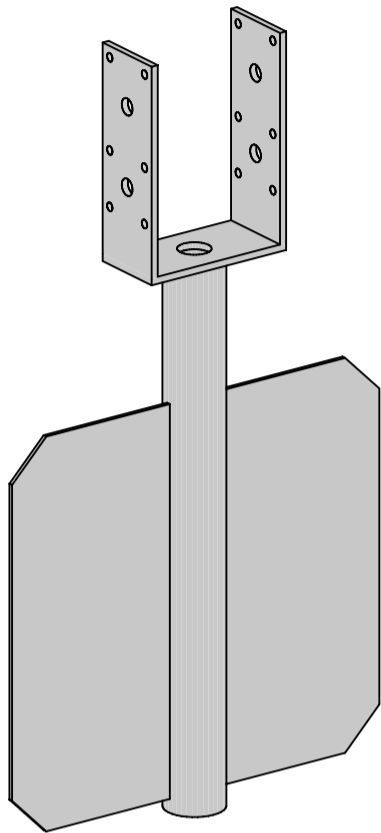
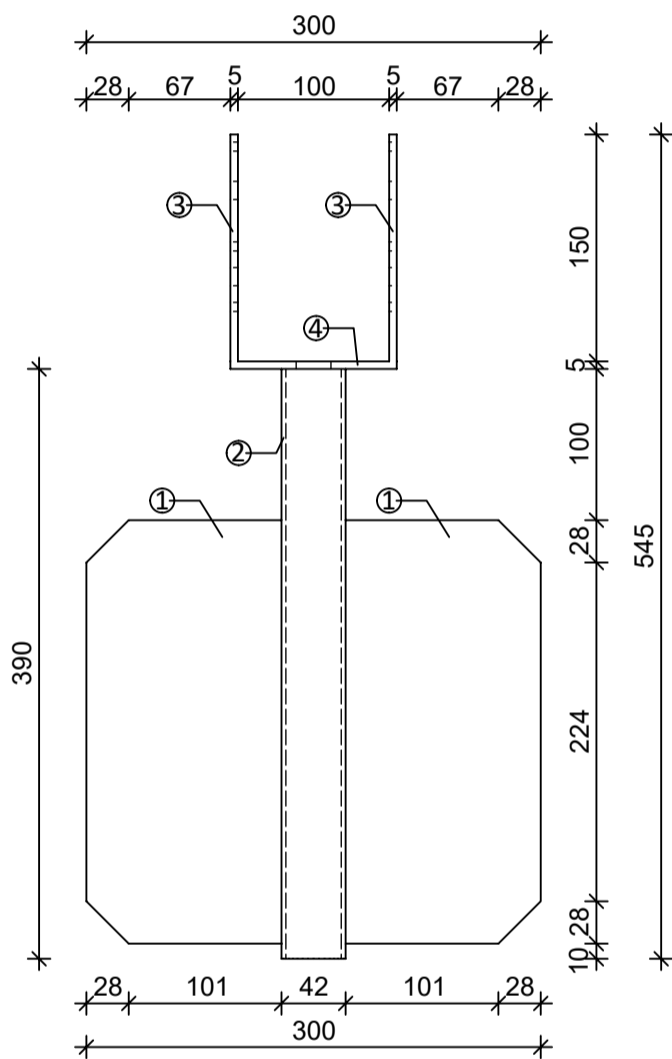


Post bracket M20/100

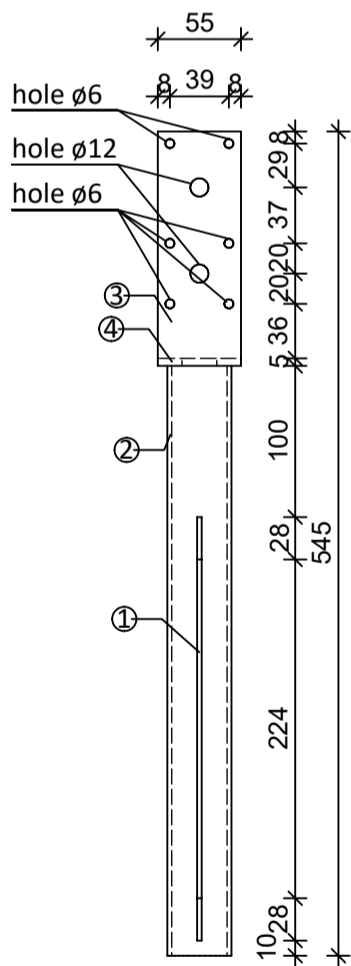
3D view



1 - 1



2 - 2



- ① Pl. 129x280x3
- ② CHS 42,4x2,9
- ③ Pl. 150x55x5
- ④ Pl. 110x55x5

Design company				
GROUNDPLUG® CONFIDENTAL				
Part:	prod. draw.	Number of drawing:	PPT 7	Finish: HDG acc. to ISO EN 1461
		Date:	08.2020	
Product/Title:	Post bracket M20/100	Material/Steel grade:	S235	Sub-grade: -
		Scale:	1:5	Format: A3
Design:		Signature:	Tolerances acc.to: PN-EN ISO 9013: 2008	
Check:		Signature:	PN-EN ISO 13920: 2000	
Draw:		Signature:	EXC2	