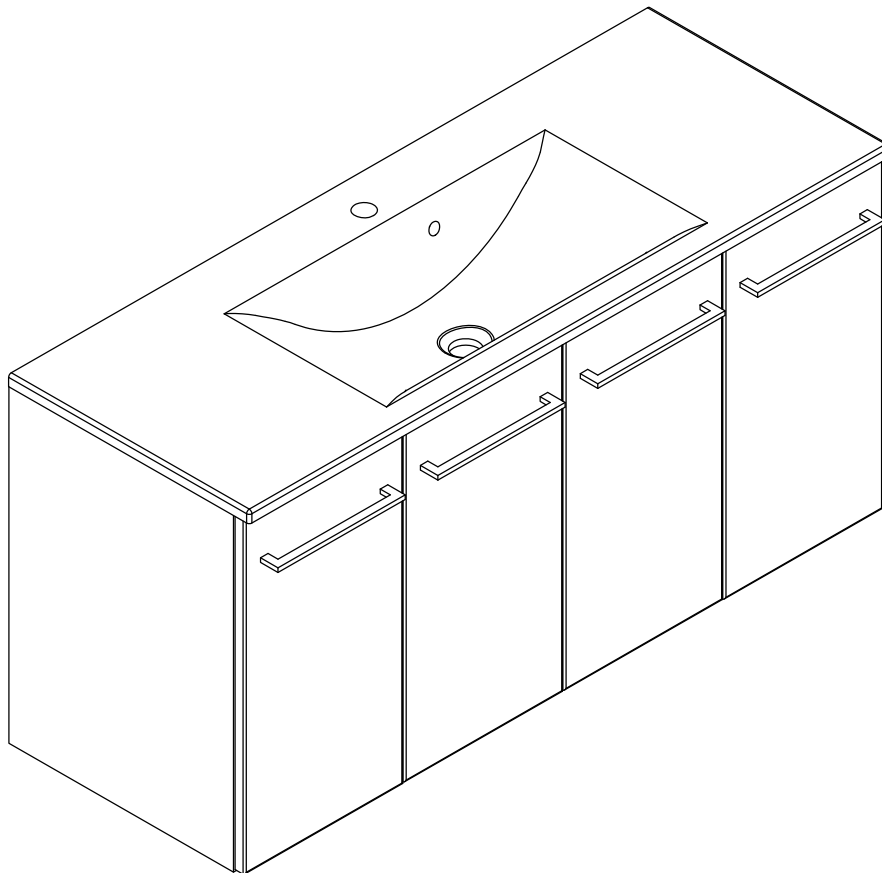
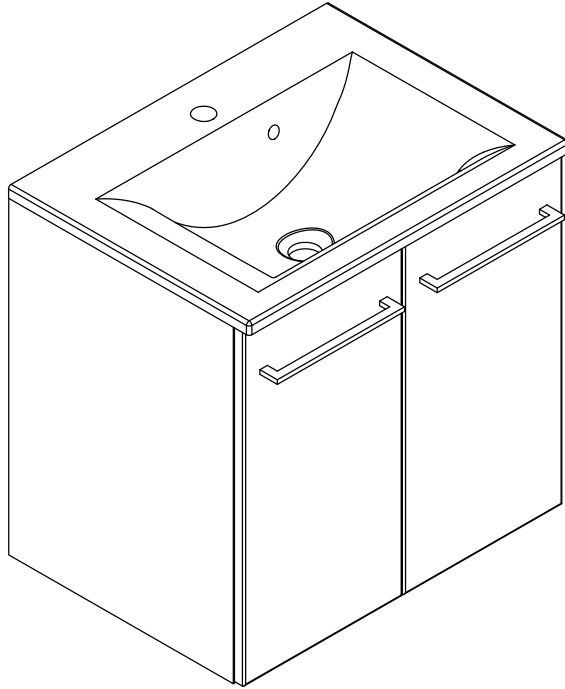
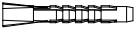
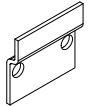


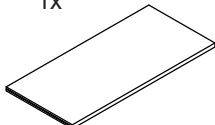



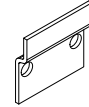


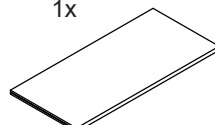





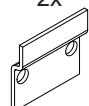

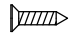
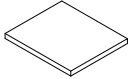
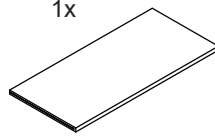




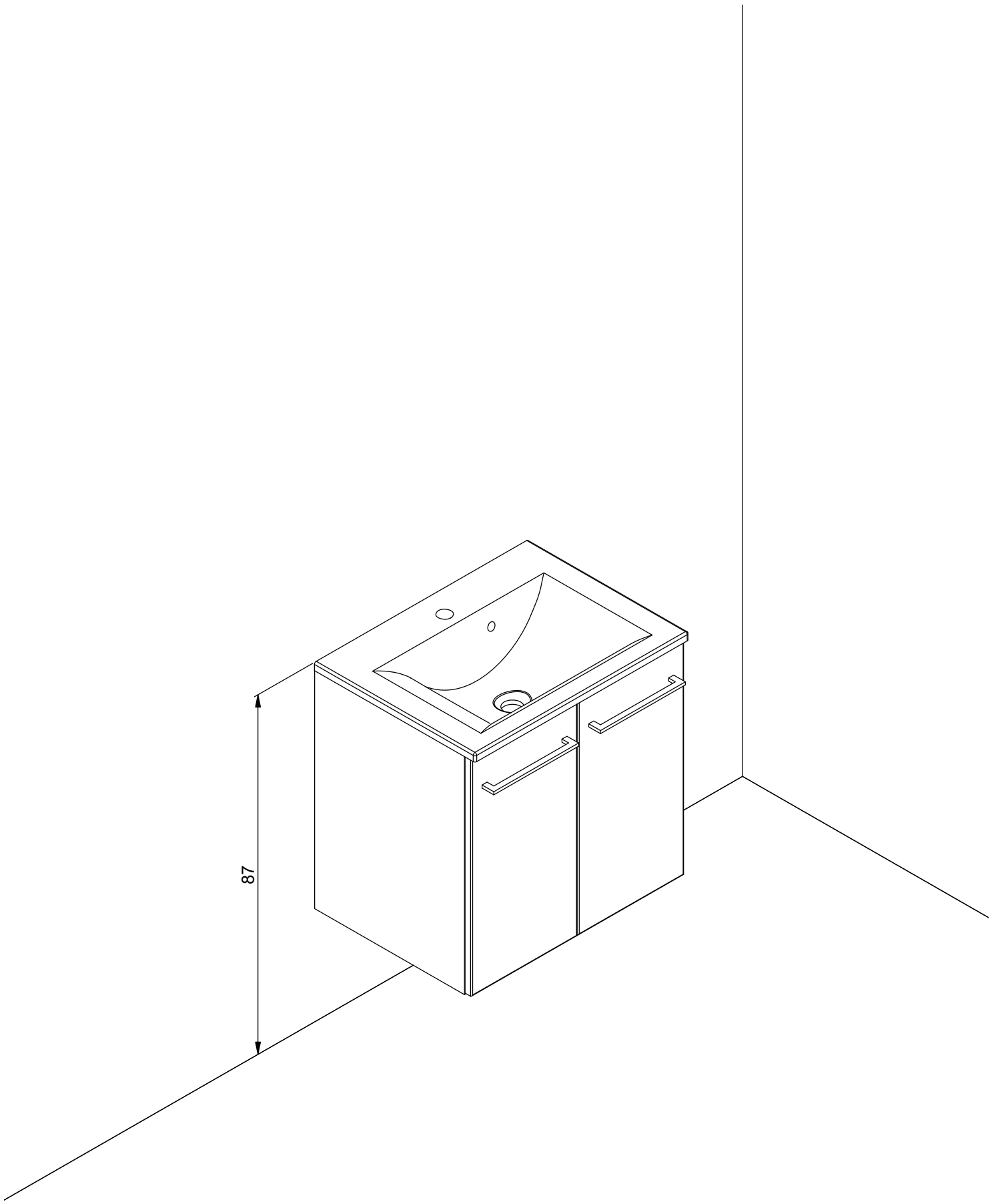
DANSANI
DANISH BATHROOM DESIGN



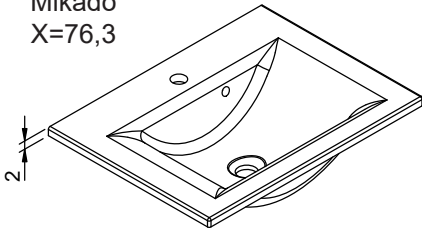
		8x  5-500	2x  30010190	8x  5,0-60SU
4x  3,5-15SU	1x 		4x  415530	4x  195000000

		8x  5-500	2x  30010190	8x  5,0-60SU
4x  3,5-15SU	1x 		4x  415530	4x  195000000

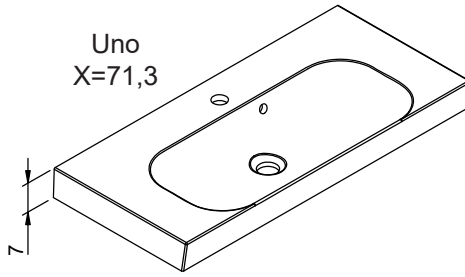
		8x  5-500	2x  30010190	8x  5,0-60SU
8x  3,5-15SU	2x 	1x 	16x  415530	8x  195000000



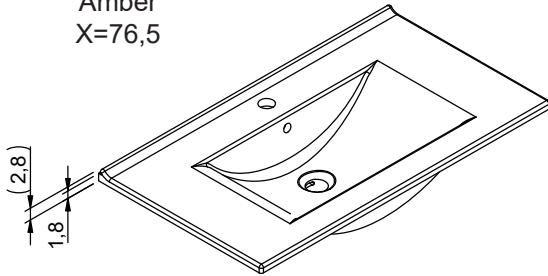
Mikado
X=76,3



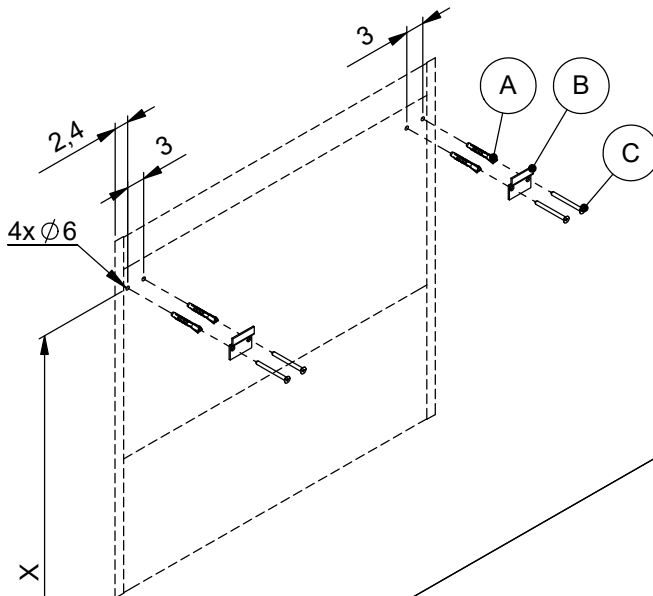
Uno
X=71,3



Amber
X=76,5



1



- 1 Ø8
- 2 SILICONE
- 3 A
- 4 SILICONE

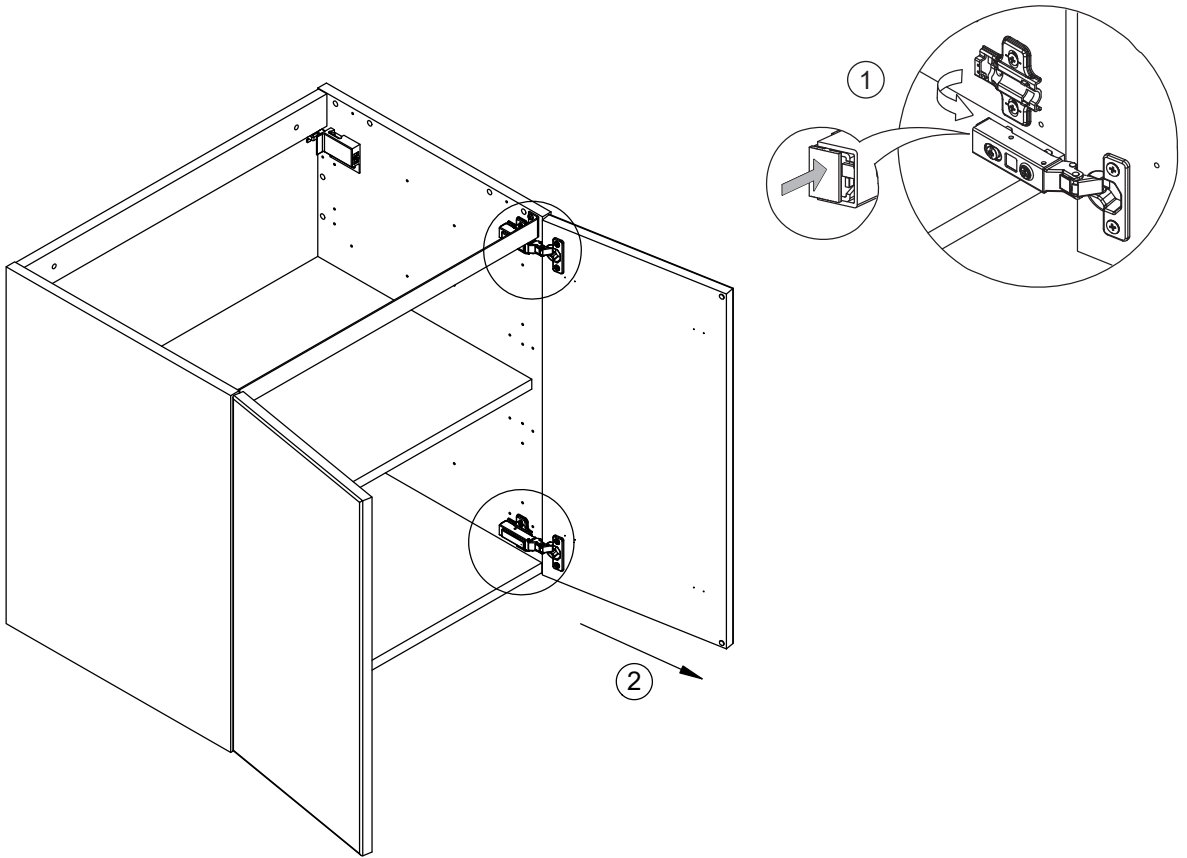
- | | | | |
|--|----------------------|-------------------------|-------------------------|
| | 4x

5-500
A | 2x

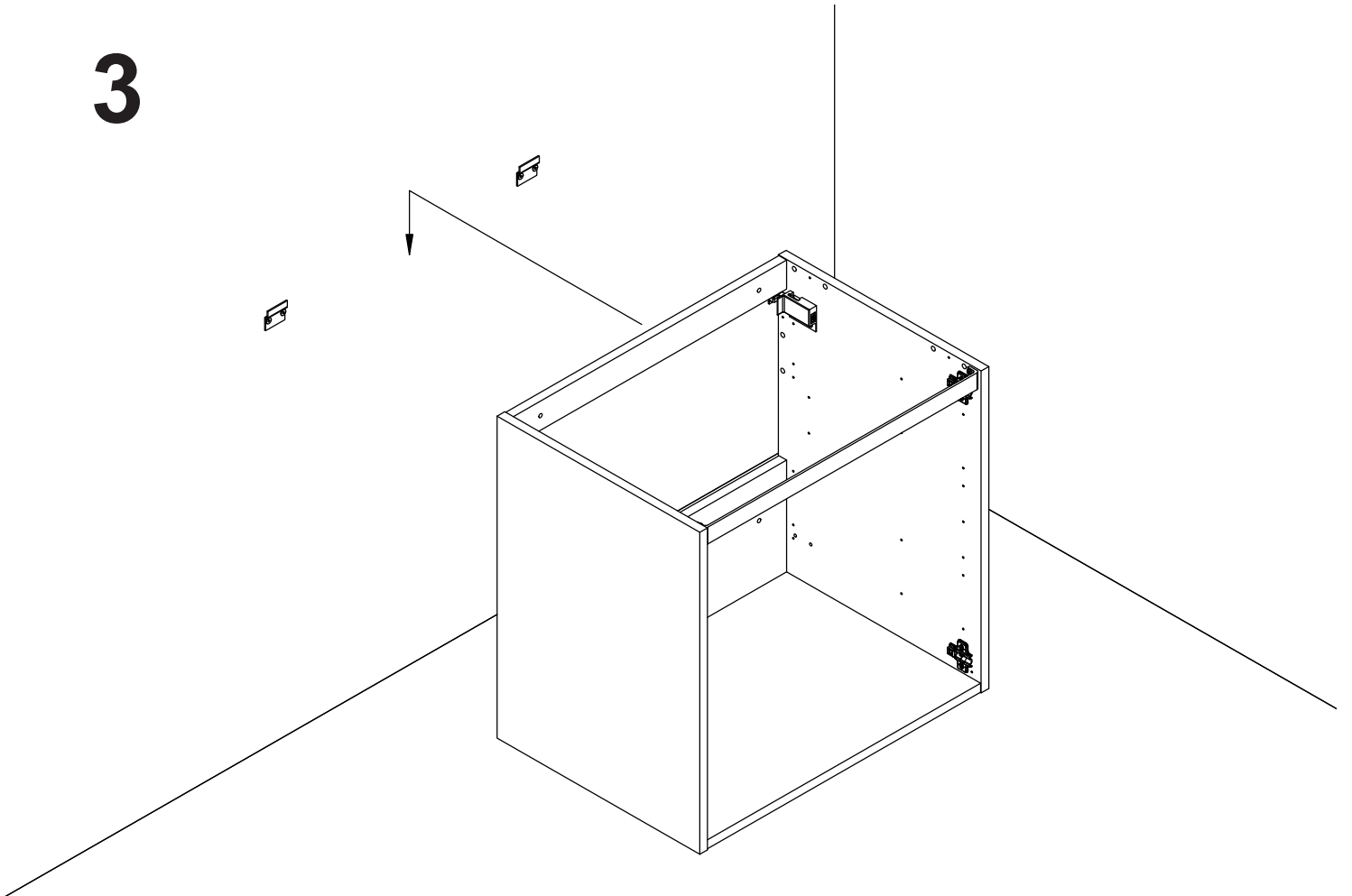
30010190
B | 4x

5,0-60SU
C |
|--|----------------------|-------------------------|-------------------------|

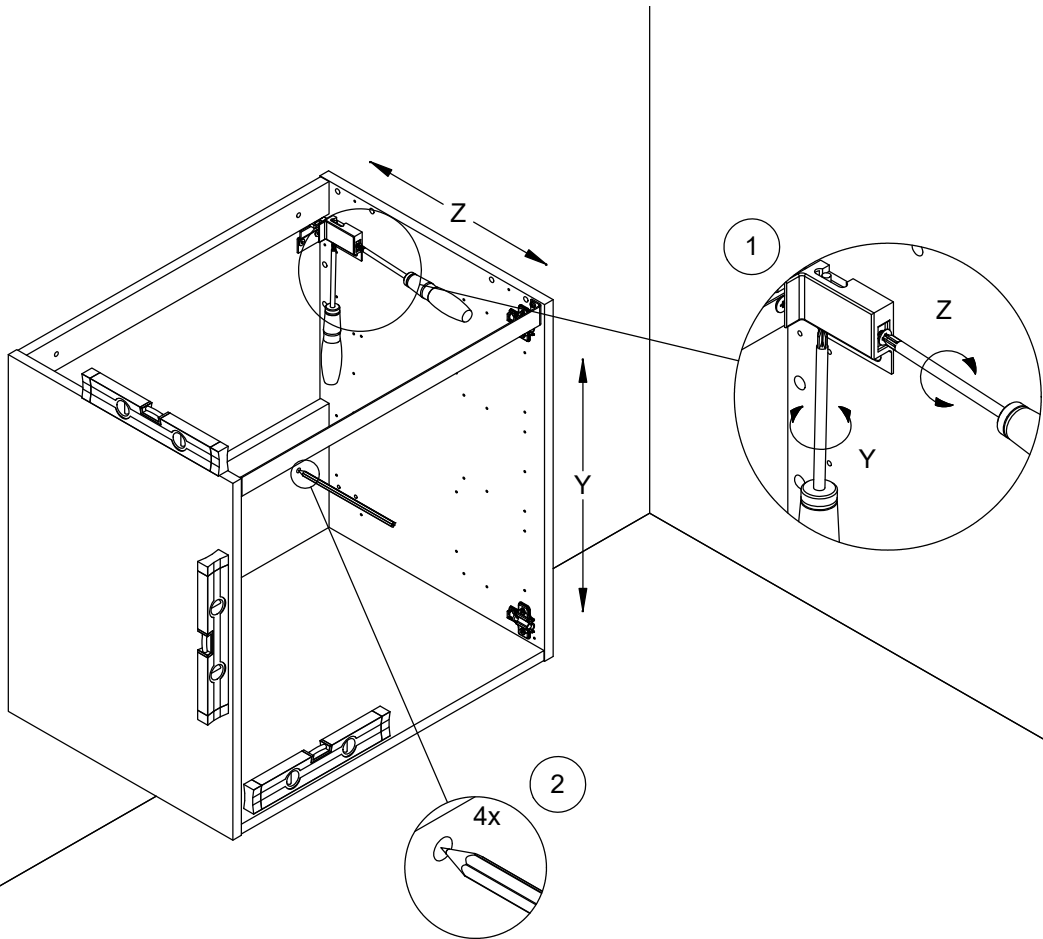
2



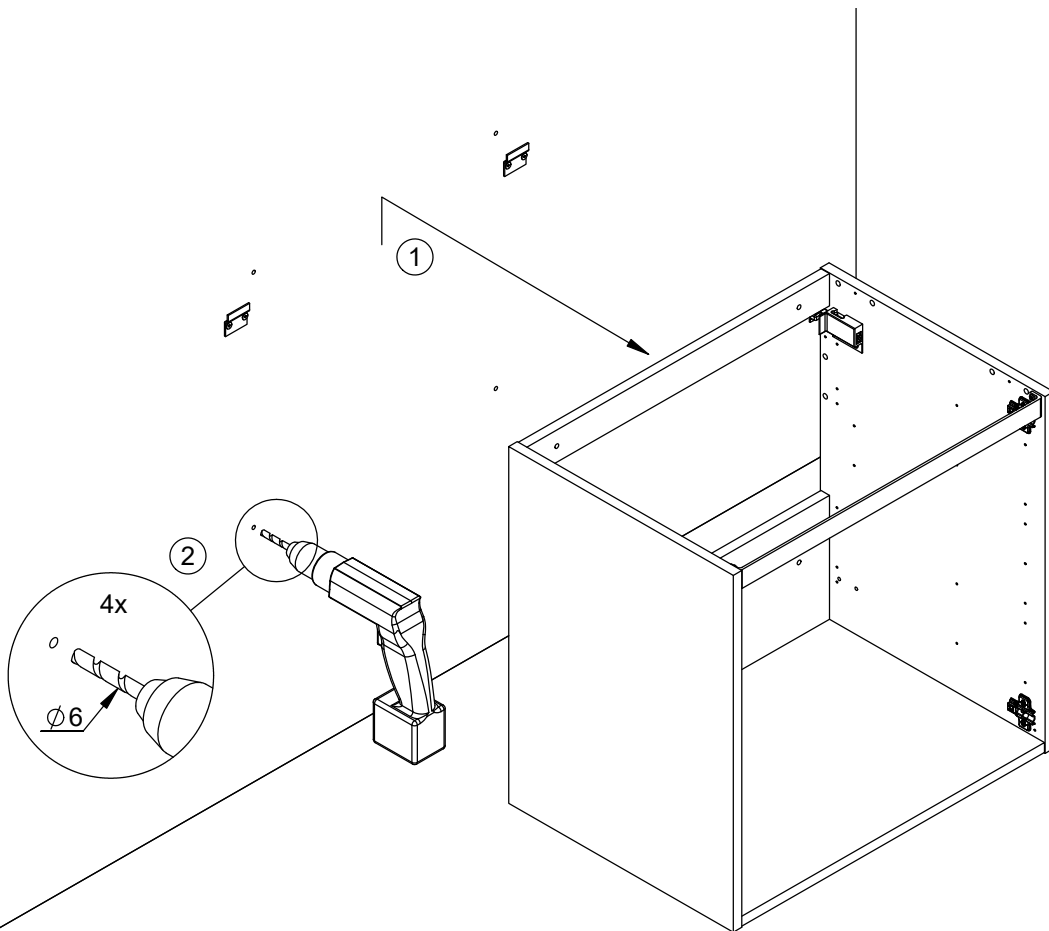
3



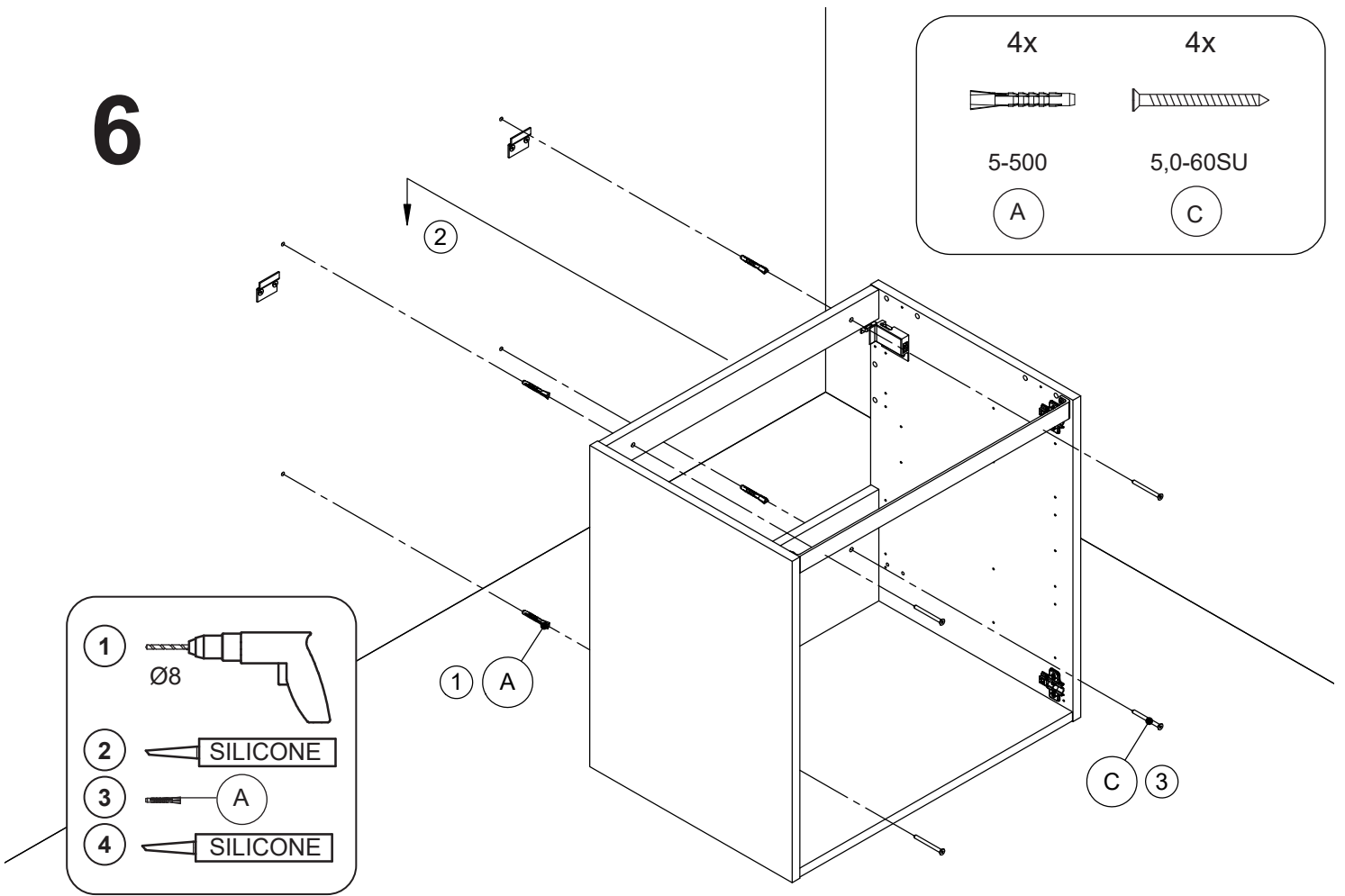
4



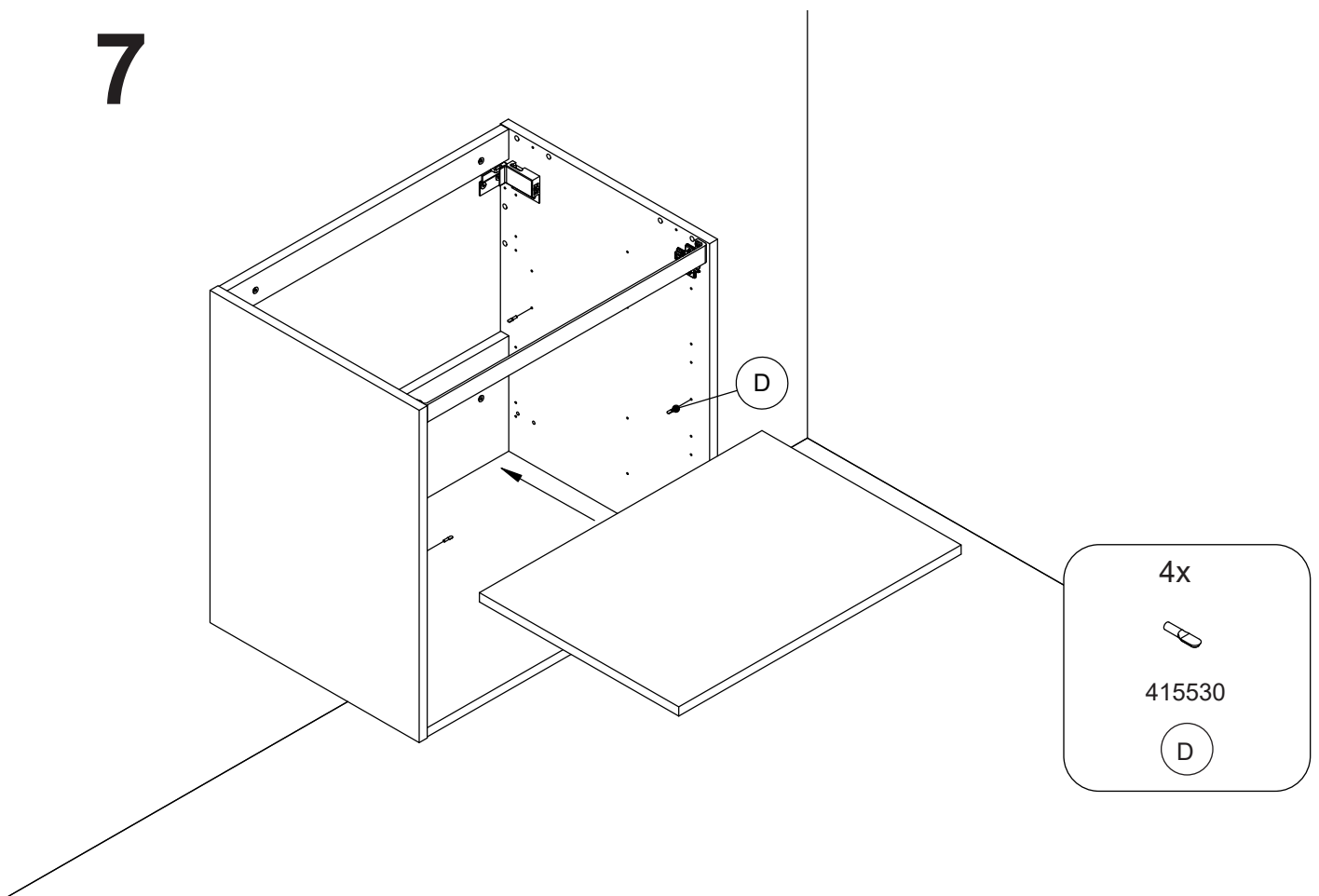
5



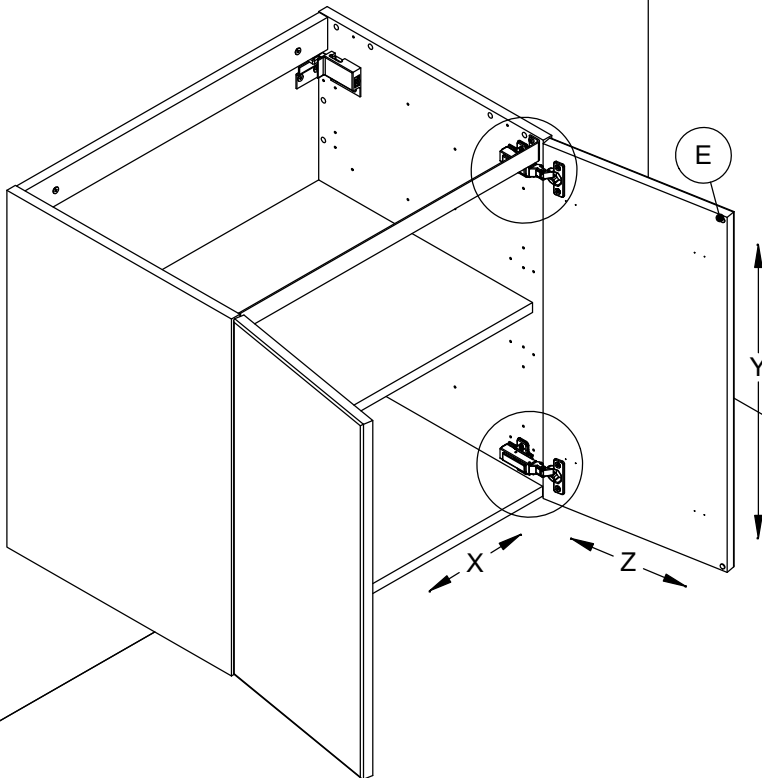
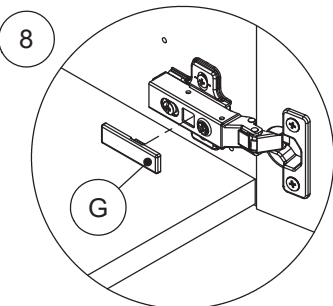
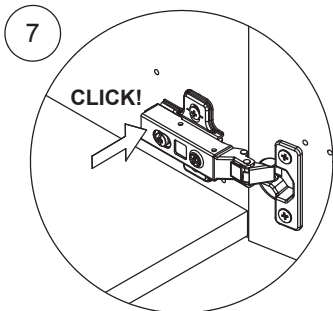
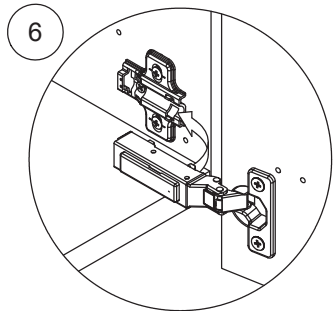
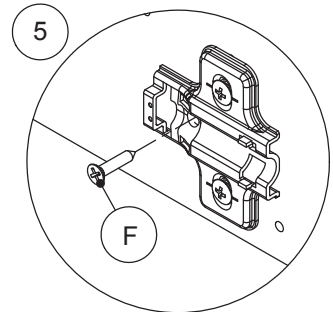
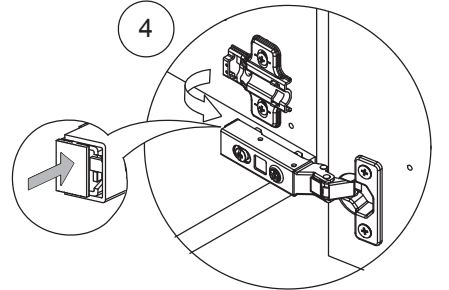
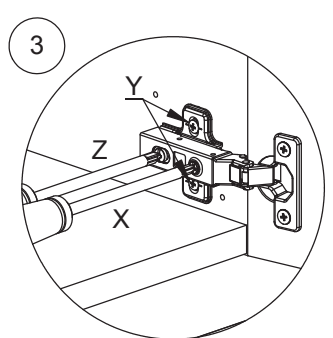
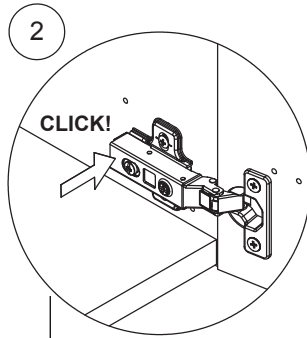
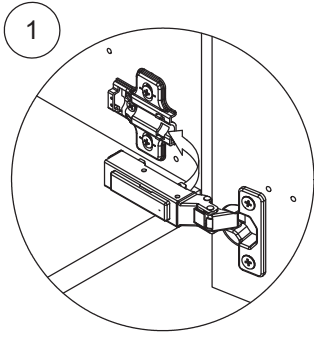
6


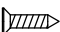
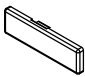


7

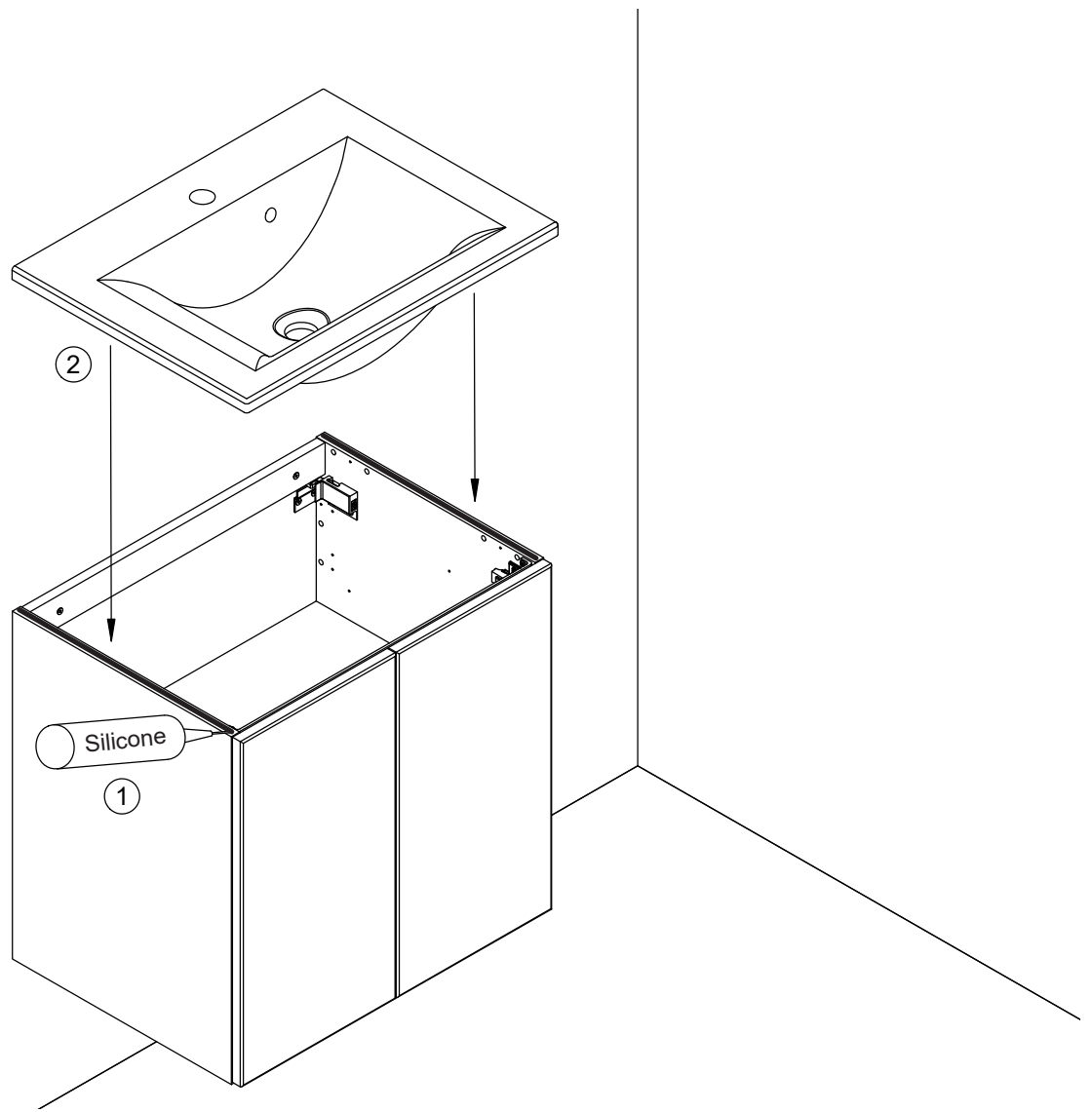


8

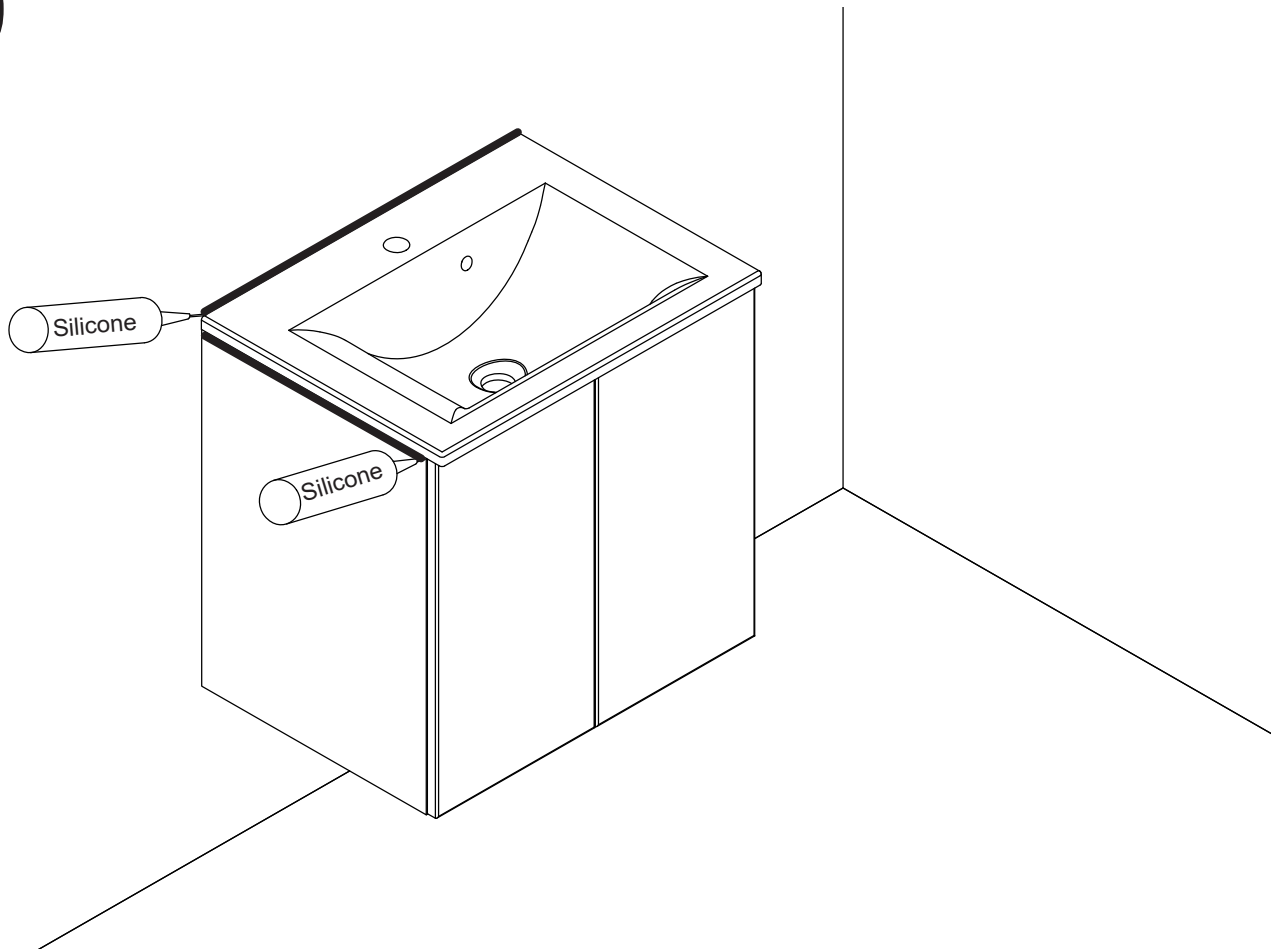


		
195000000	3,5-15SU	190040735
E	F	G

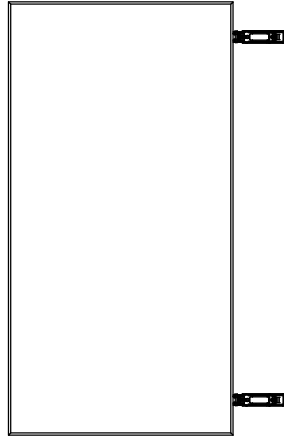
9



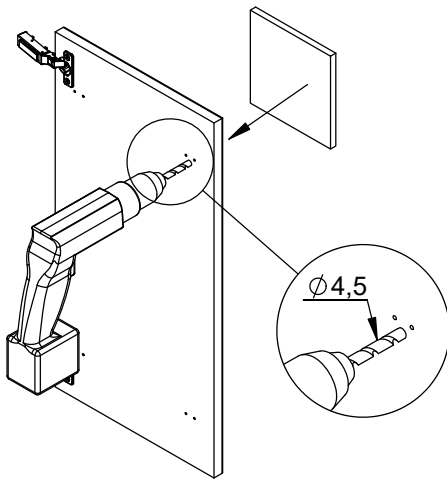
10



11



1



2

