

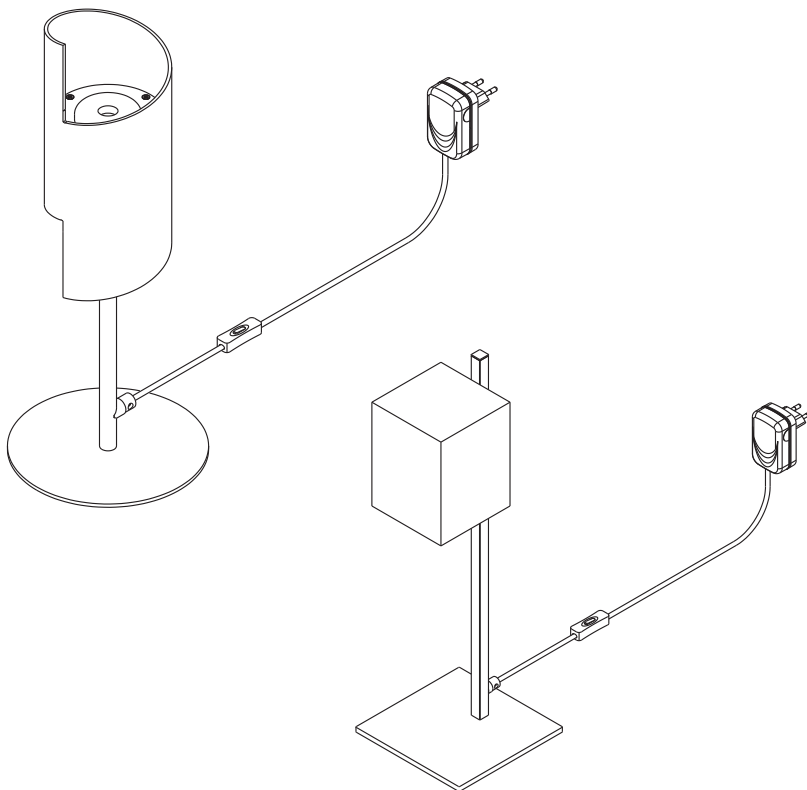


---

## DECOR TWIST TABLE

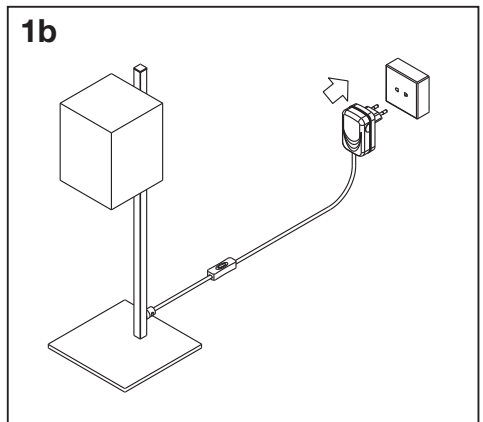
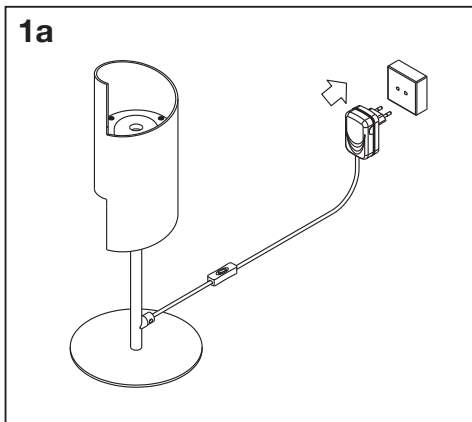
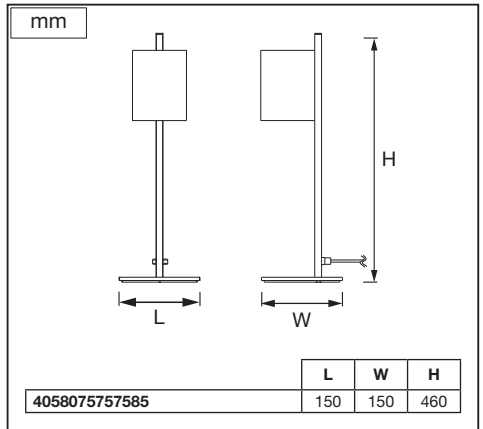
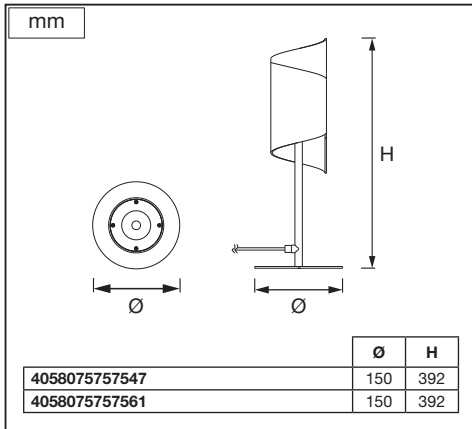
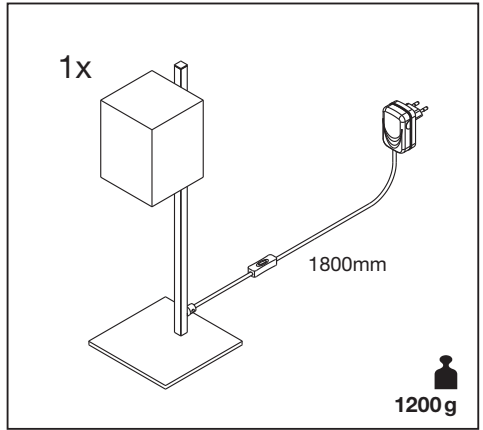
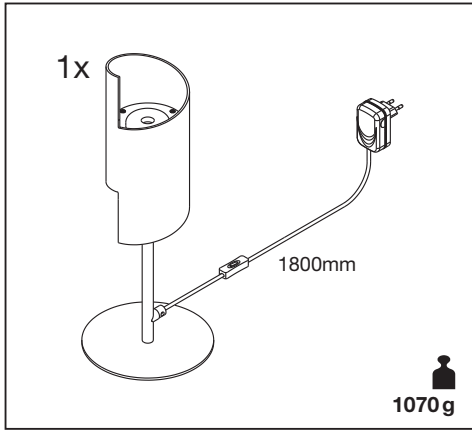
## DECOR WOOD TABLE

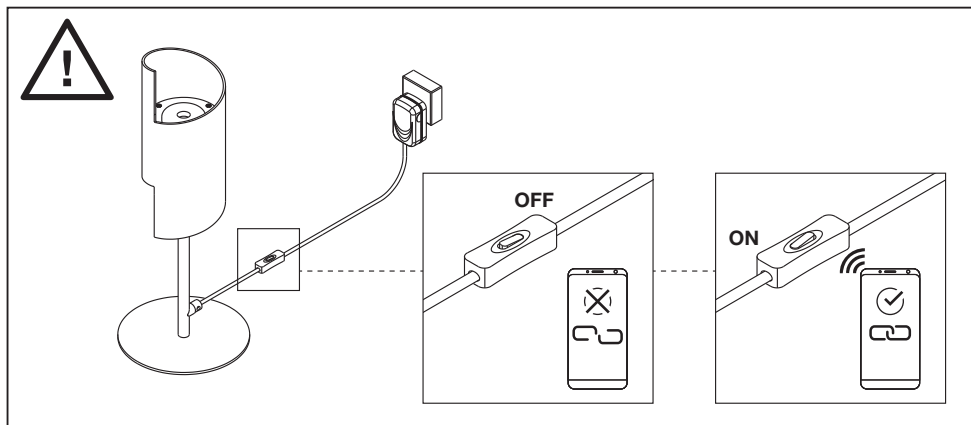
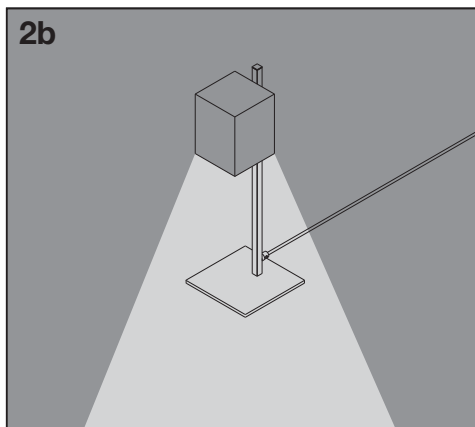
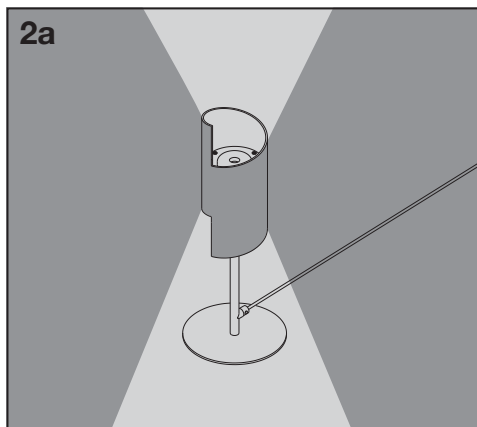
---






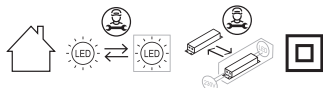
	EAN	W	Light source lm	Output lm	K	°C	IP	V~	mA	Hz	DF	
SMART WIFI DECOR TWIST TABLE TWBK	4058075757547	12	840	450	3000-6500	-20...+40	20	220-240	74	50/60	≥0.7	15000
SMART WIFI DECOR TWIST TABLE TWWT	4058075757561	12	840	550	3000-6500	-20...+40	20	220-240	74	50/60	≥0.7	15000
SMART WIFI DECOR WOOD TABLE TW BKWD	4058075757585	8	650	350	3000-6500	-20...+40	20	220-240	43	50/60	≥0.5	15000

**DECOR TWIST/WOOD TABLE**





	EAN	This product contains a light source of energy efficiency class	Contained Light Source
SMART WIFI DECOR TWIST TABLE TWBK	4058075757547	F	contains 2 light sources 
SMART WIFI DECOR TWIST TABLE TWWT	4058075757561	F	contains 2 light sources 
SMART WIFI DECOR WOOD TABLE TW BKWD	4058075757585	F	



Points de collecte sur [www.quefairedemesdechets.fr](http://www.quefairedemesdechets.fr)

C10449057  
G11137802  
27.05.2022



LEDVANCE GmbH  
Steinerne Furt 62  
86167 Augsburg, Germany  
[www.ledvance.com](http://www.ledvance.com)