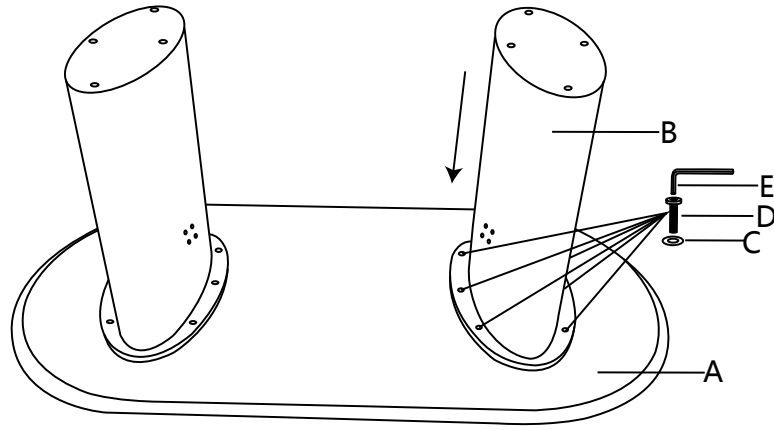
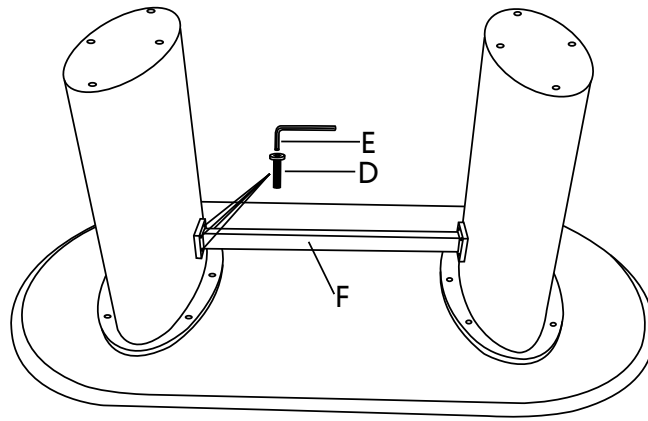


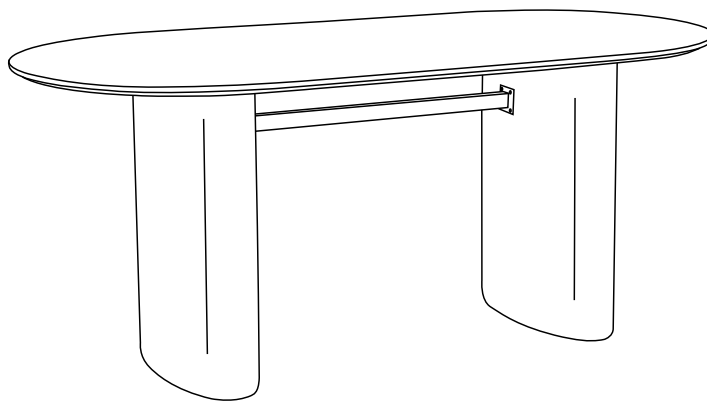
1



2



3



A × 1



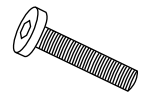
B × 2



C × 12



D × 20



E × 1



F × 1

