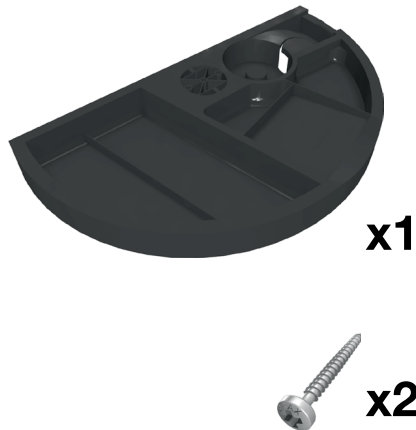
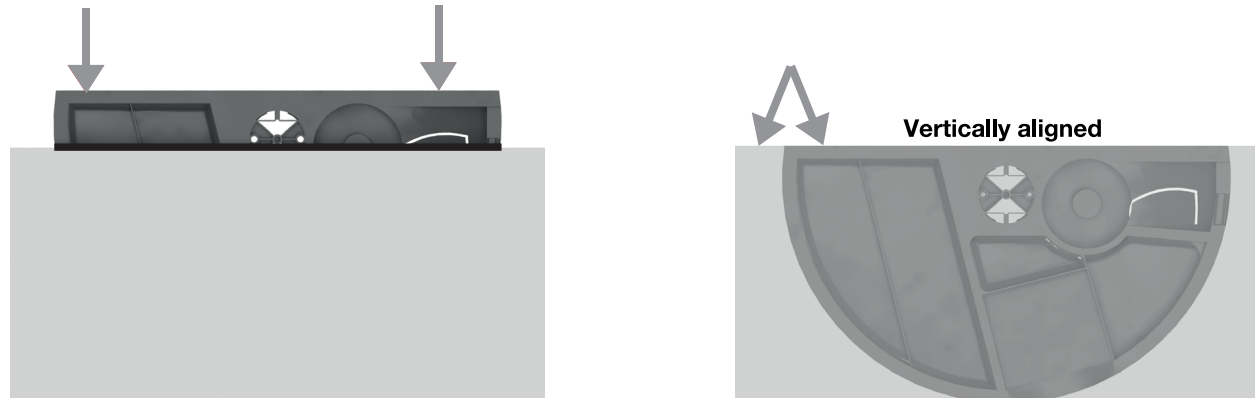


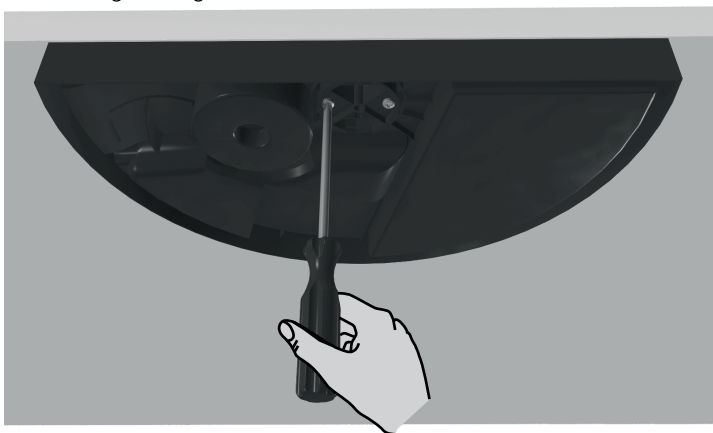
#### CONTENT:



- 1** ALIGN VERTICALLY  
Position and align the edge of the table with the edge of the Store Pen- & Gadget box, (as seen in the illustrations below).



- 2** ATTACH  
Using two wood screws, attach the Store Pen- & Gadget Box to the table while maintaining the alignment.



- 3** ROTATE THE BOX  
Rotate the box to ascertain that it is working as intended. Once assured it does, office accessories can be put inside.

