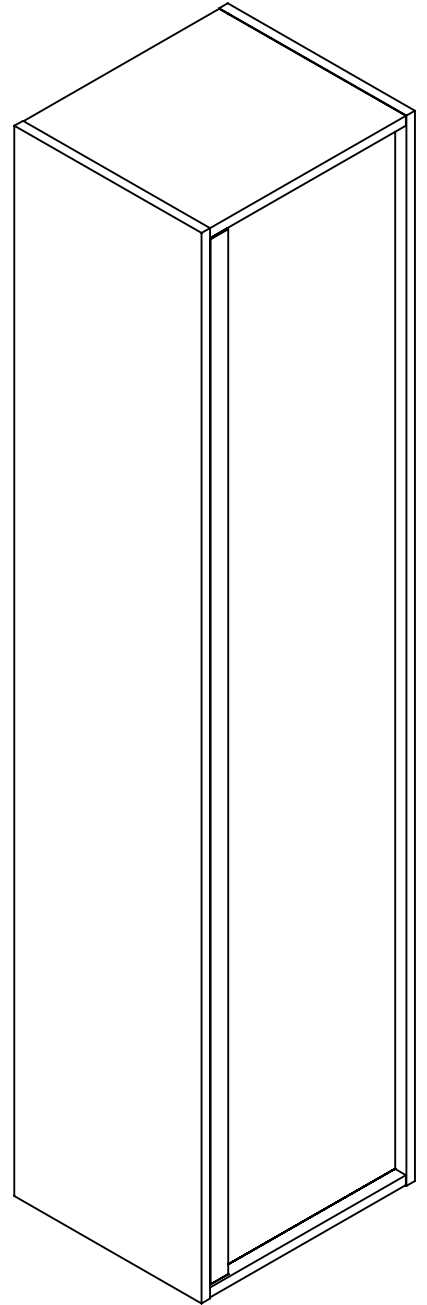
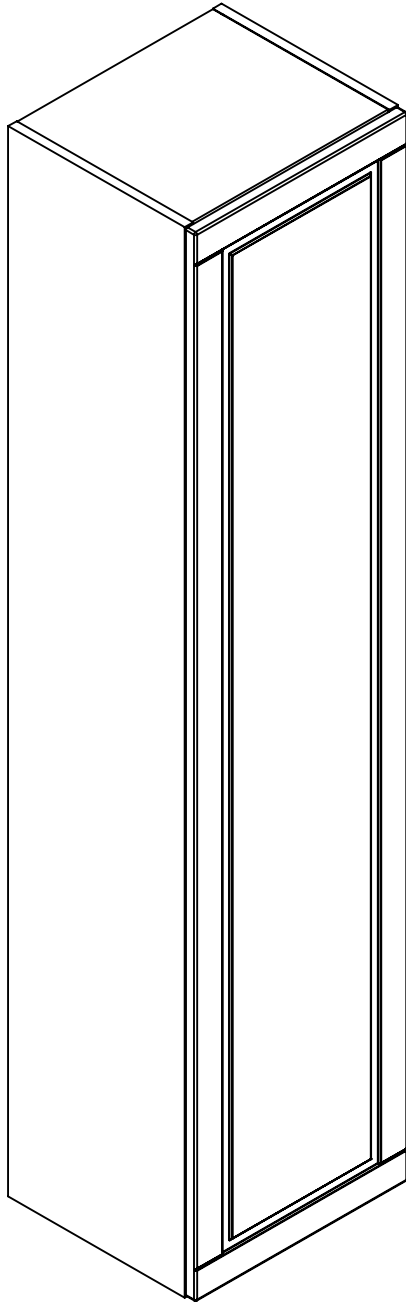
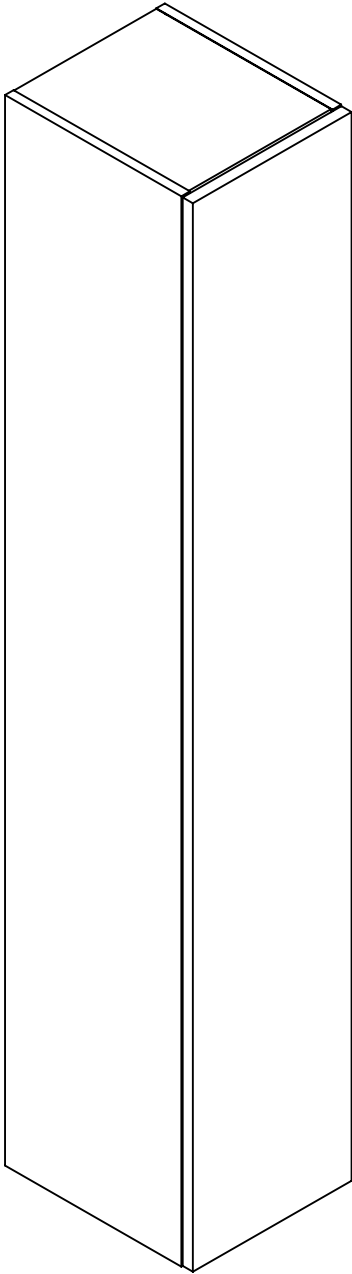
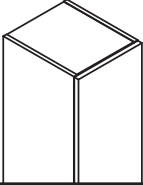



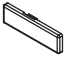


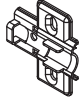


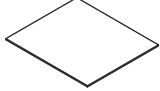
Camargue®



30 cm

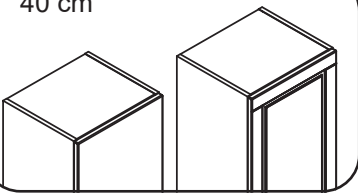



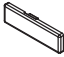

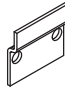



						
6x 4,0-16LH	4x 19500000	3x 3,5-15SFØ	2x 390010190	6x 5,0-60SU	6x 390010067	3x 190320800

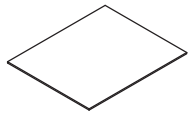


4x
522831500

40 cm

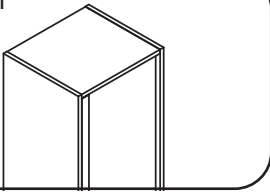





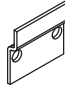
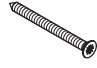


						
4x 3,5-20SU	3x 390010110	16x 415533	2x 390010190	6x 5,0-60SU	6x 390010067	4x 19500000

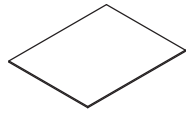


2x/4x
820841501

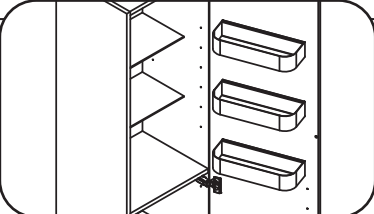
40 cm


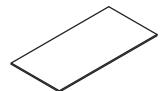
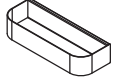


						
4x 3,5-20SU	3x 190300766	16x 415533	2x 390010190	6x 5,0-60SU	6x 390010067	1x 19500000






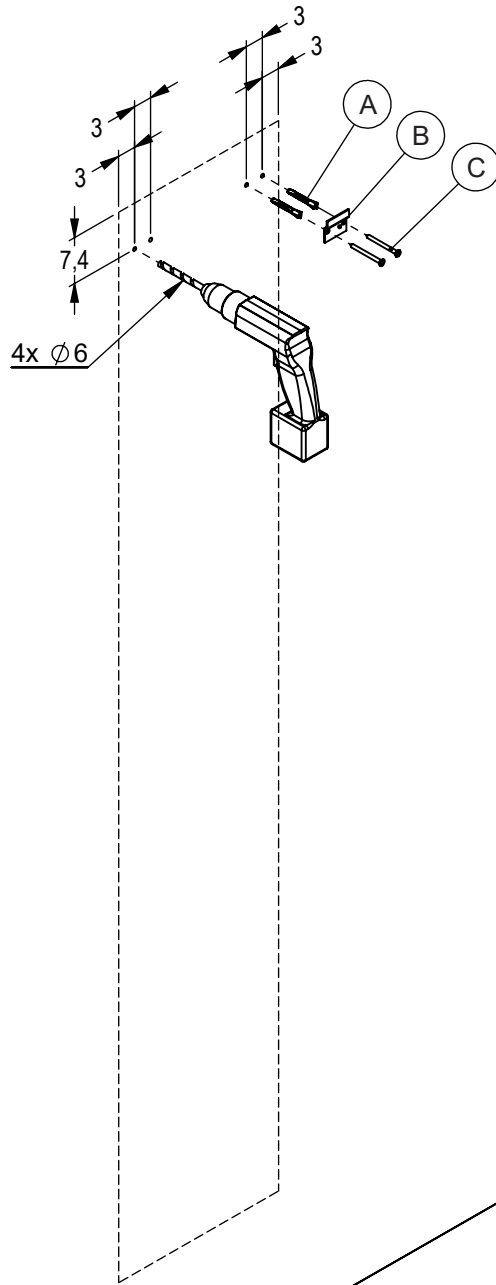
2x/4x
820843401

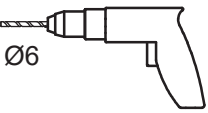

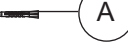



		
6x 4,0-15SR	2x 820843301	3x 223800028

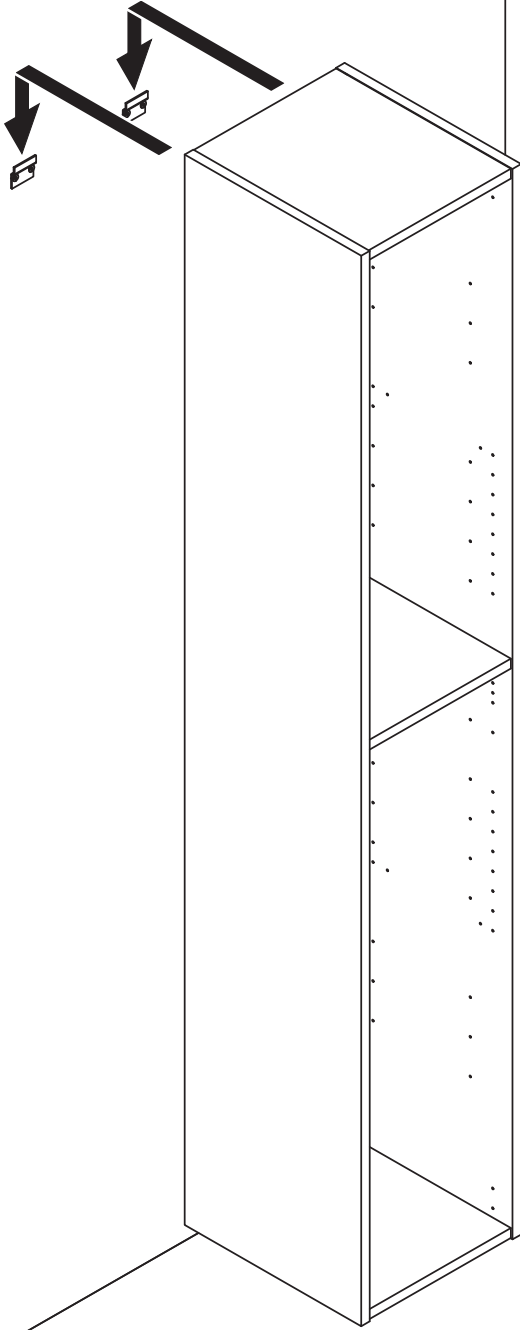
1

		
4x 5-500	2x 390010190	4x 5,0-60SU

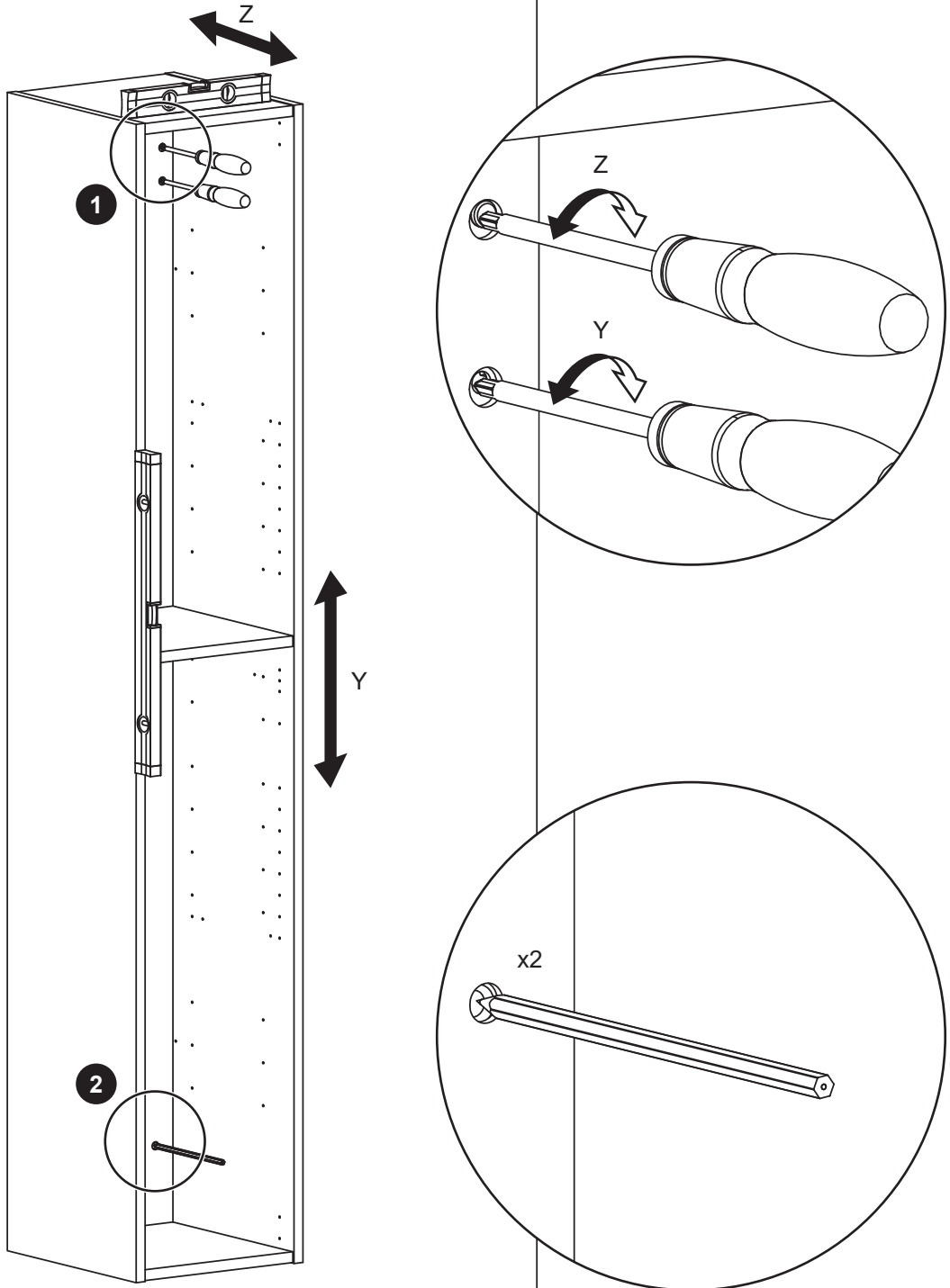


1	
	Ø6
2	
	SILICONE
3	
	A
4	
	SILICONE

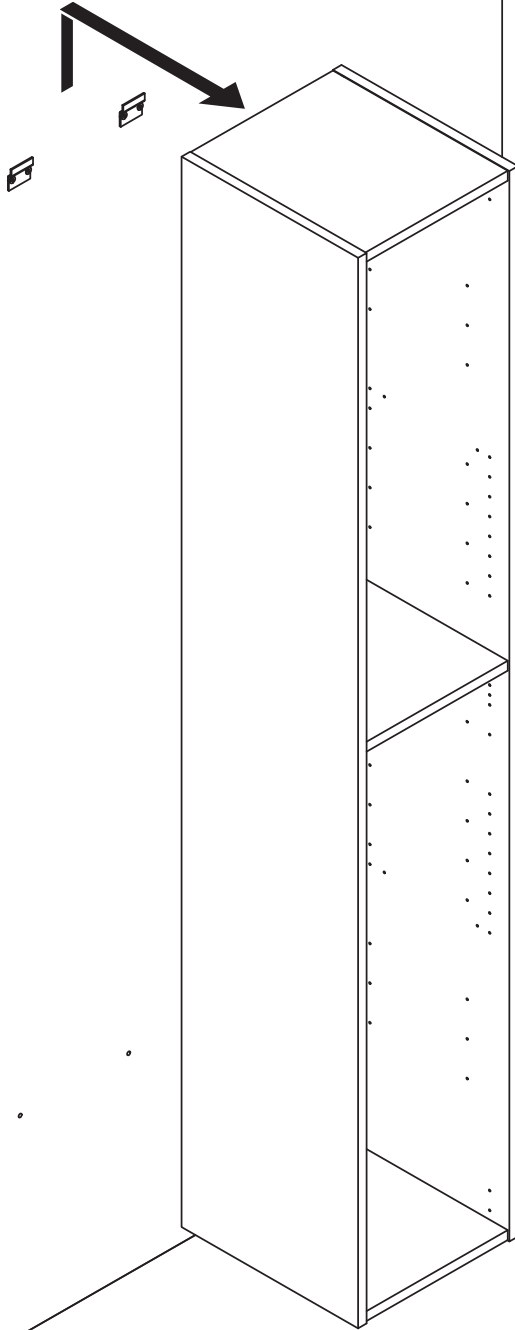
2



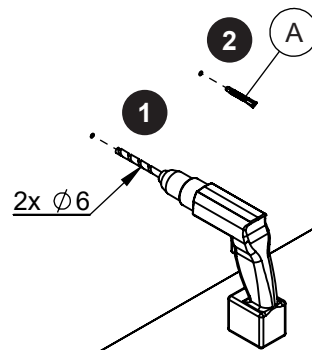
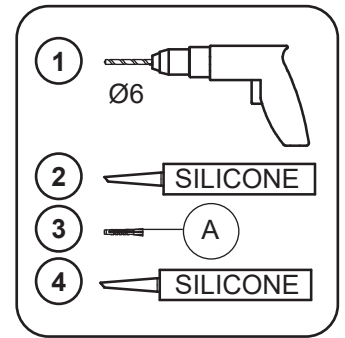
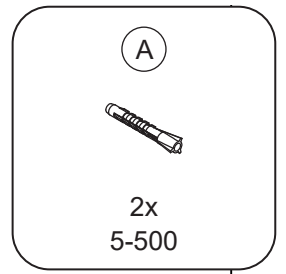
3



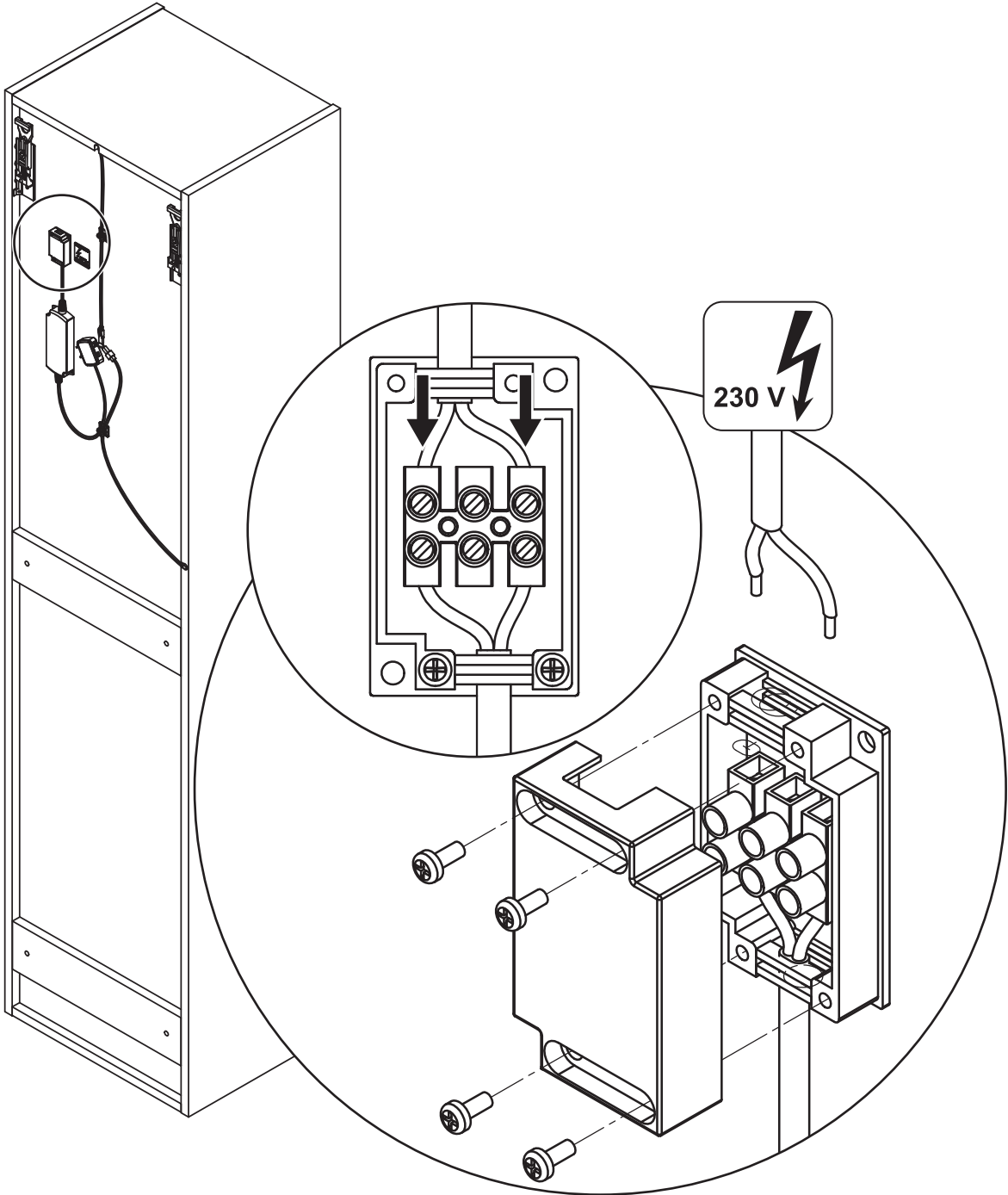
4



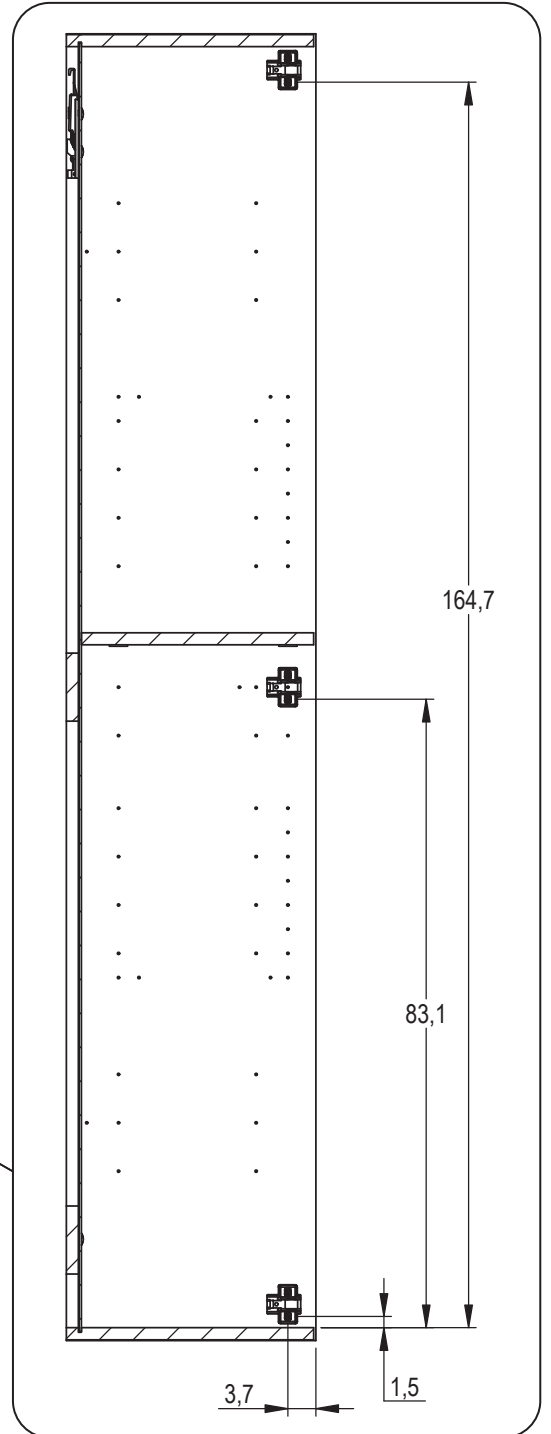
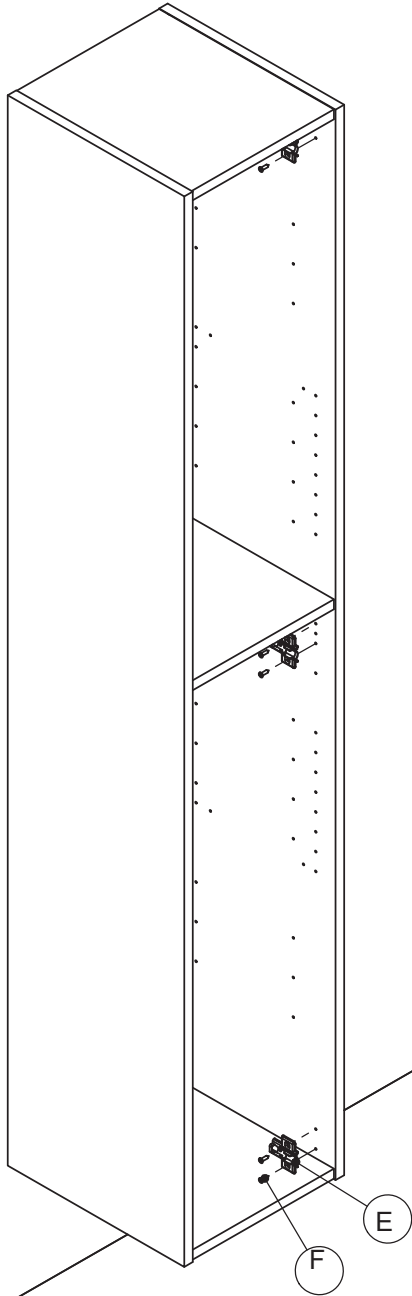
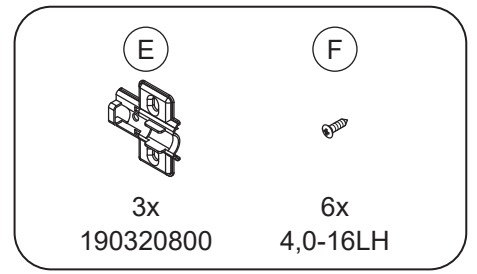
5



6

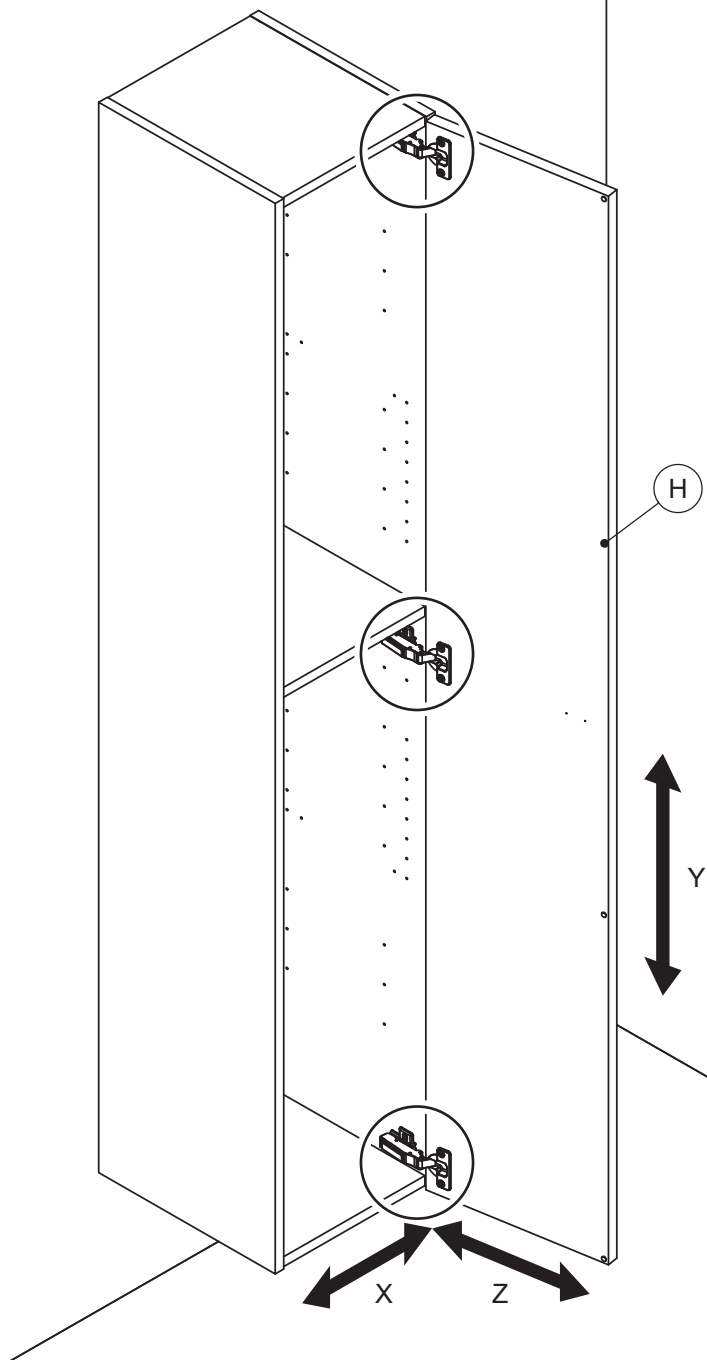
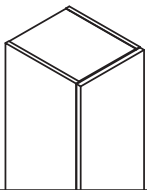


9

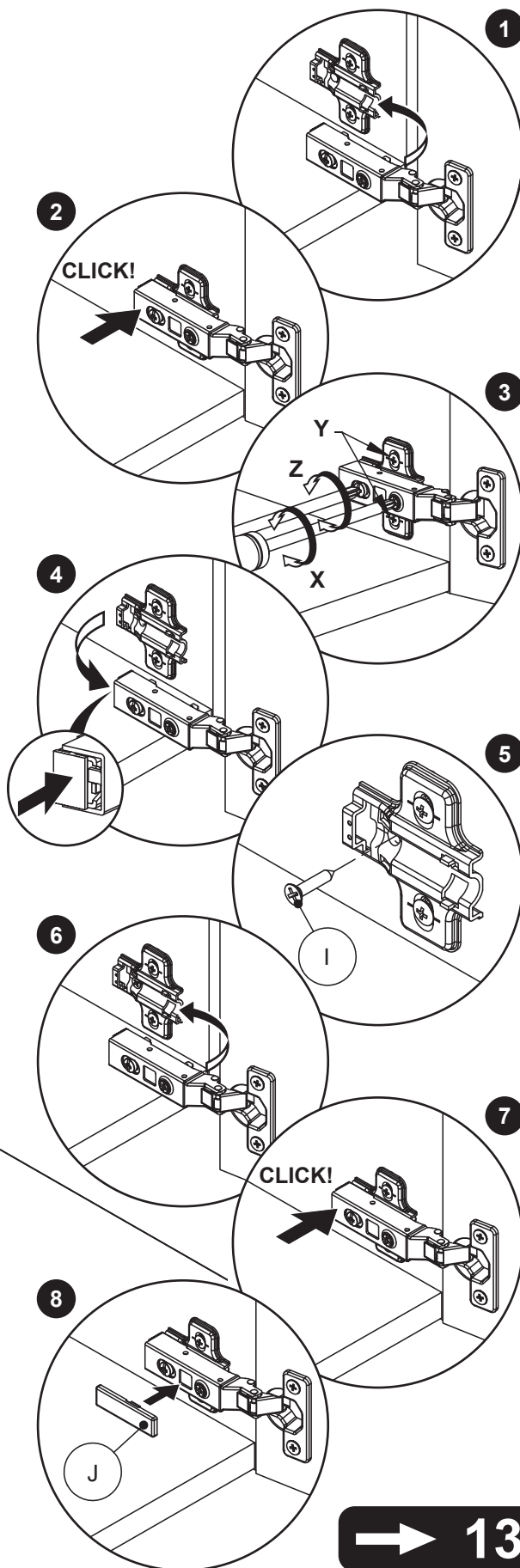


10

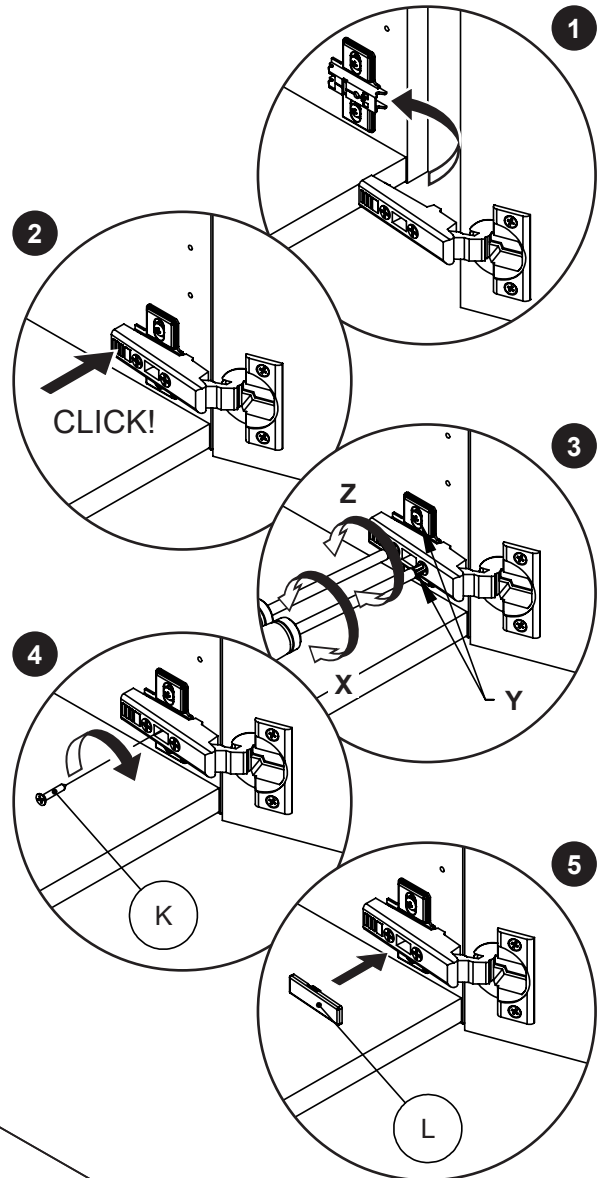
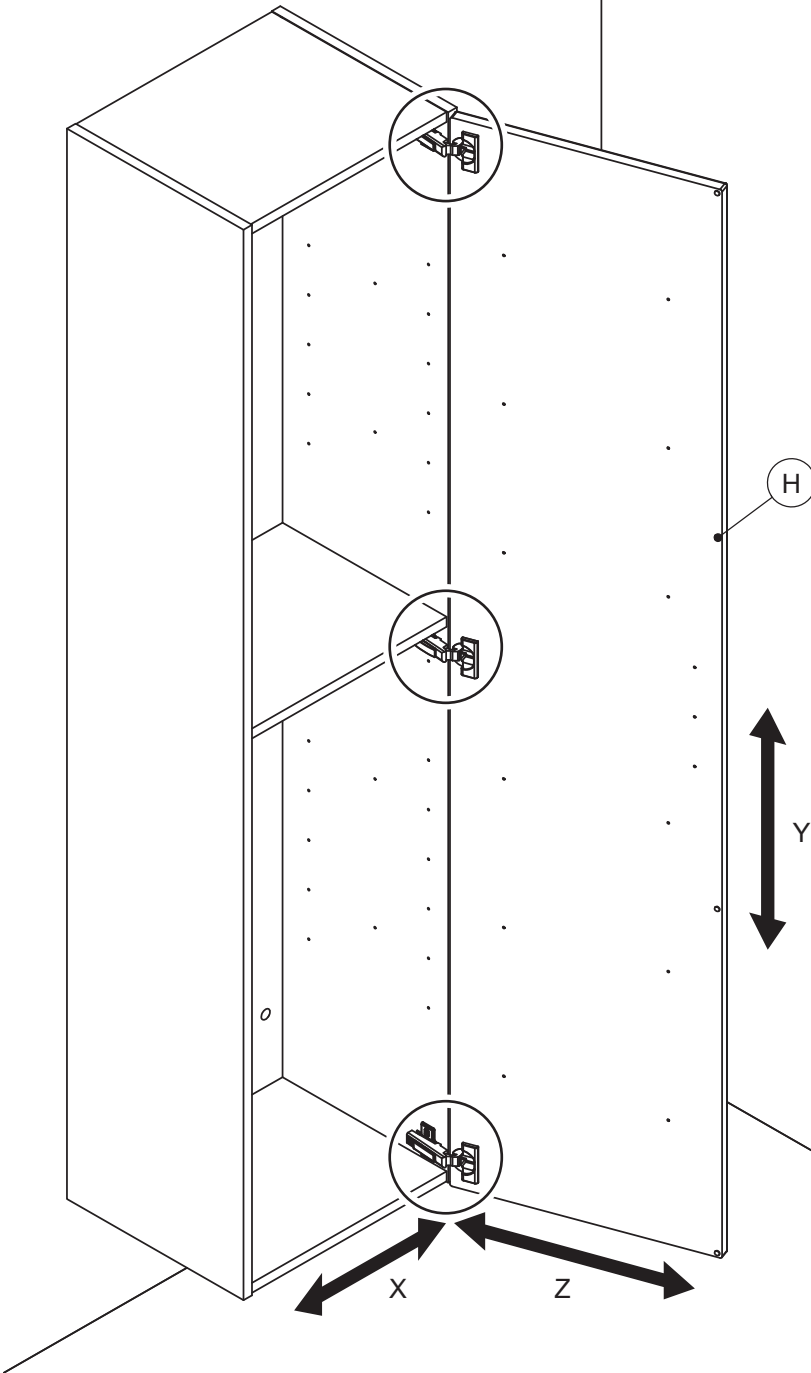
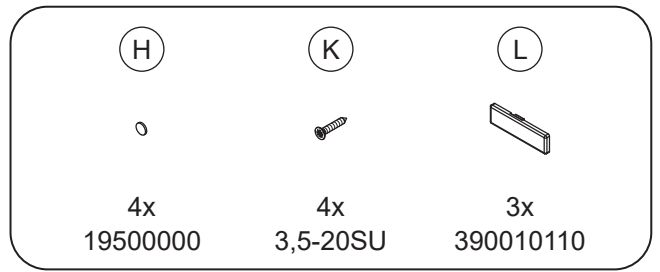
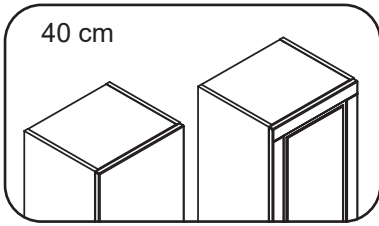
30 cm



(H)	(I)	(J)
4x 1950000	3x 3,5-15SFØ	3x 190040735

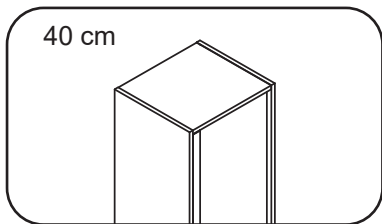







11

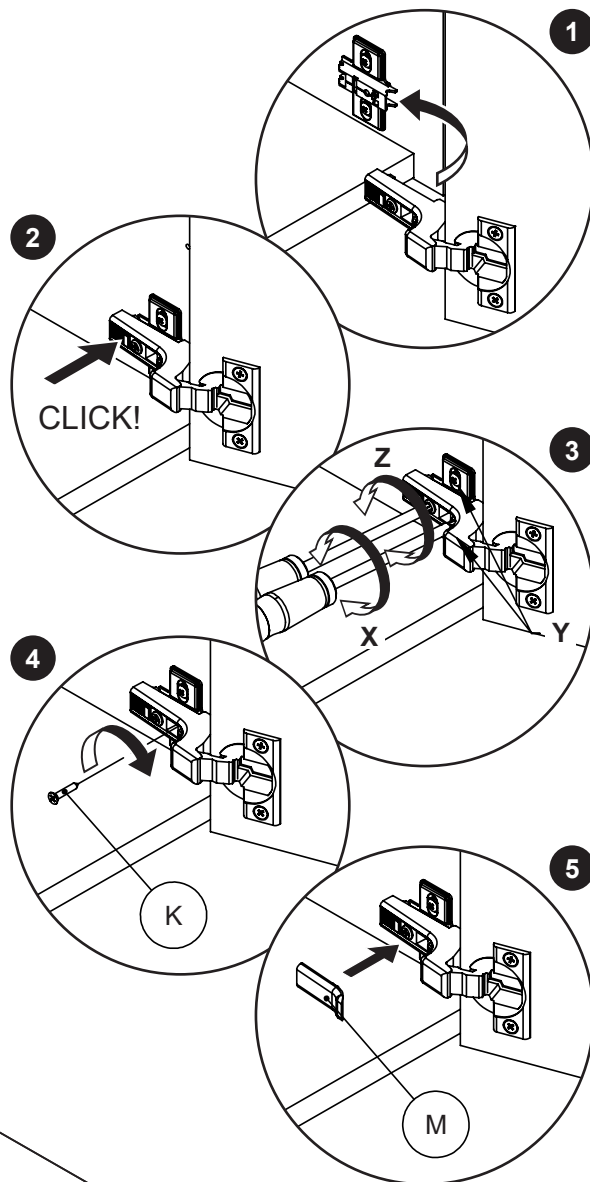
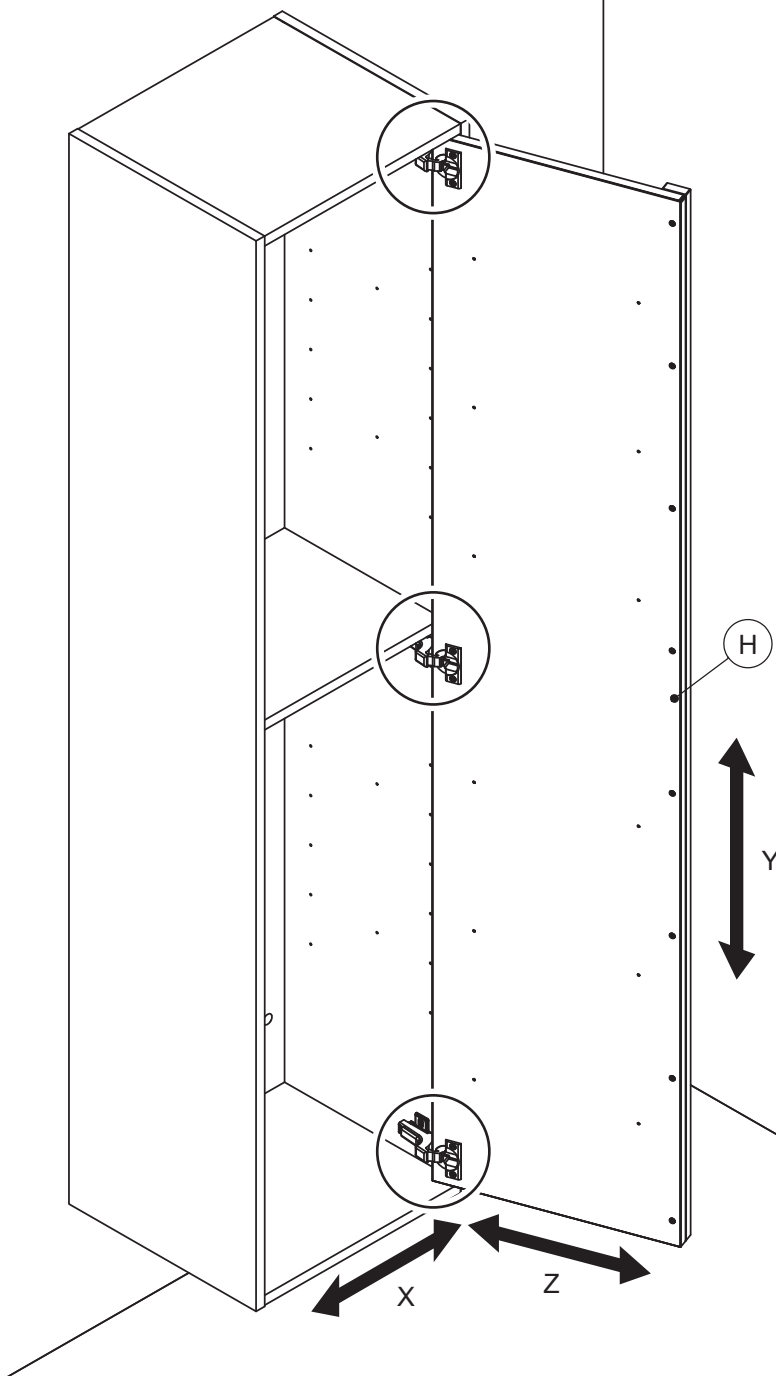


12

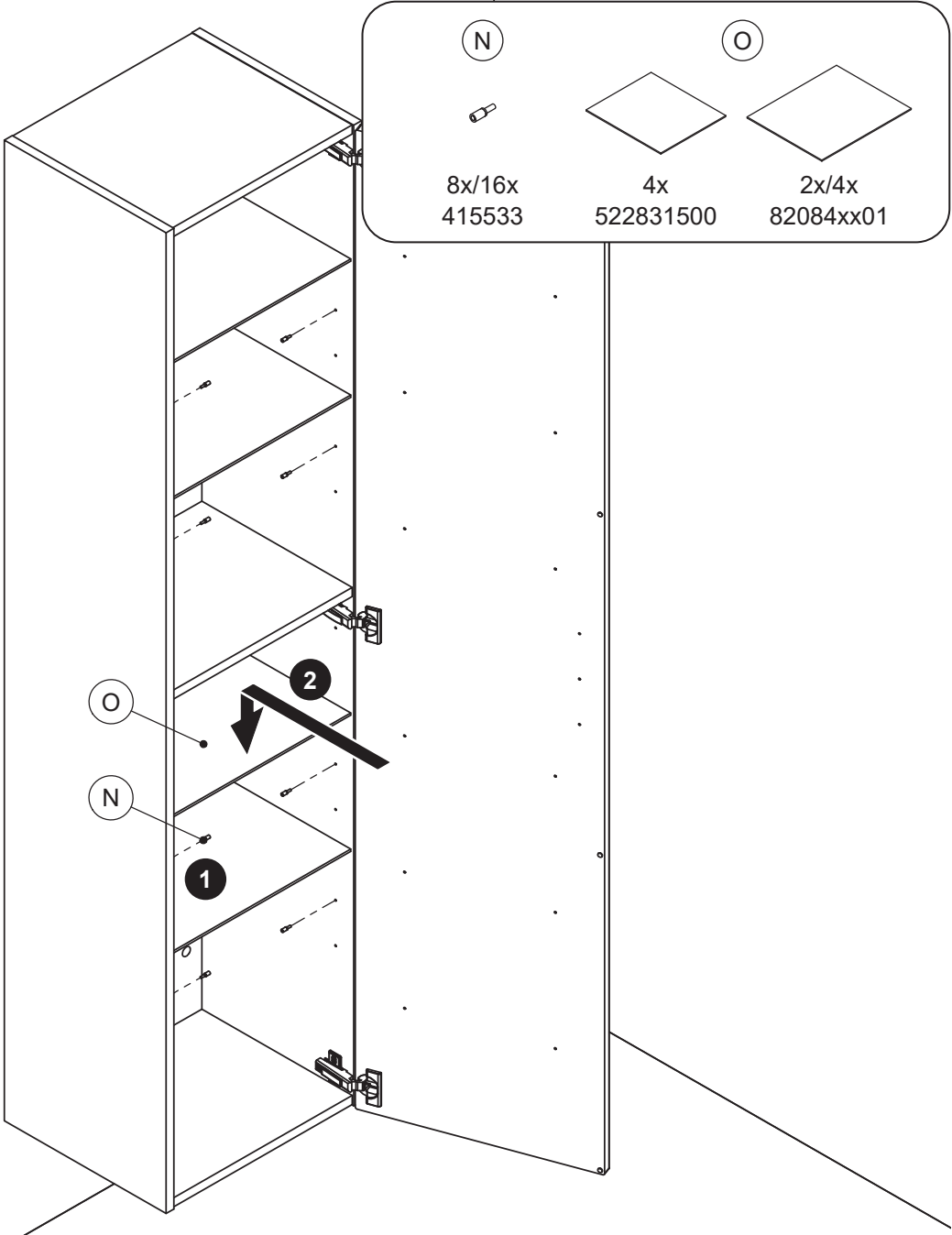
40 cm



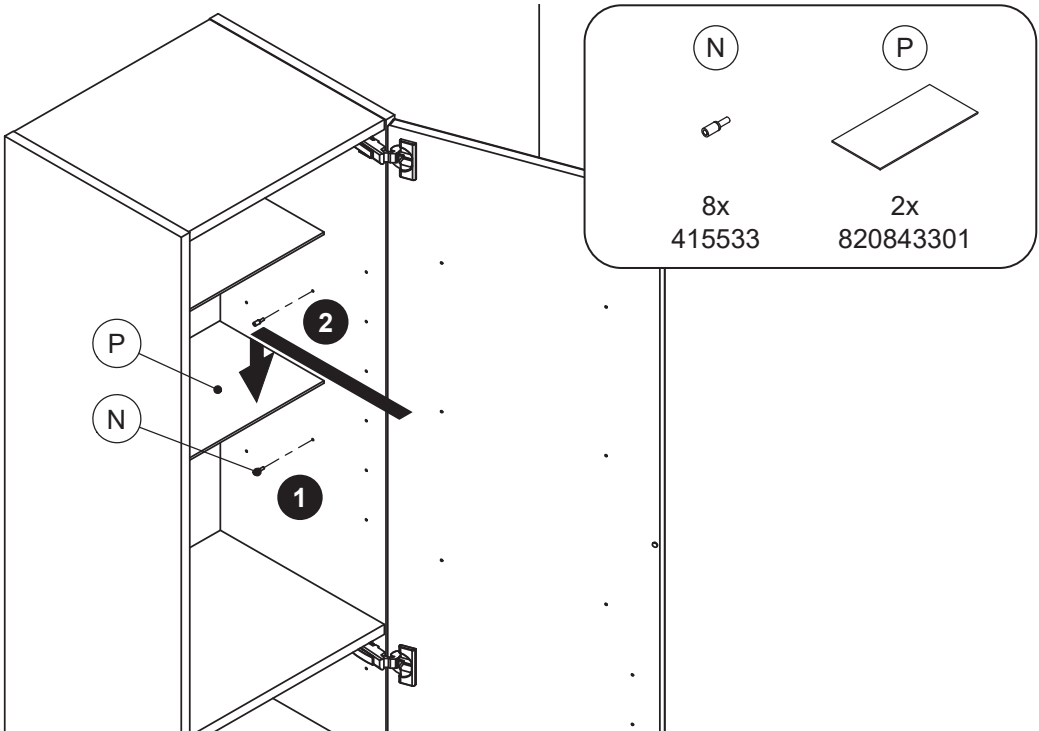
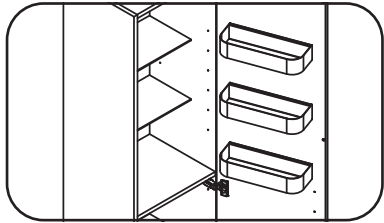
		
o		
1x 19500000	4x 3,5-20SU	3x 190300766



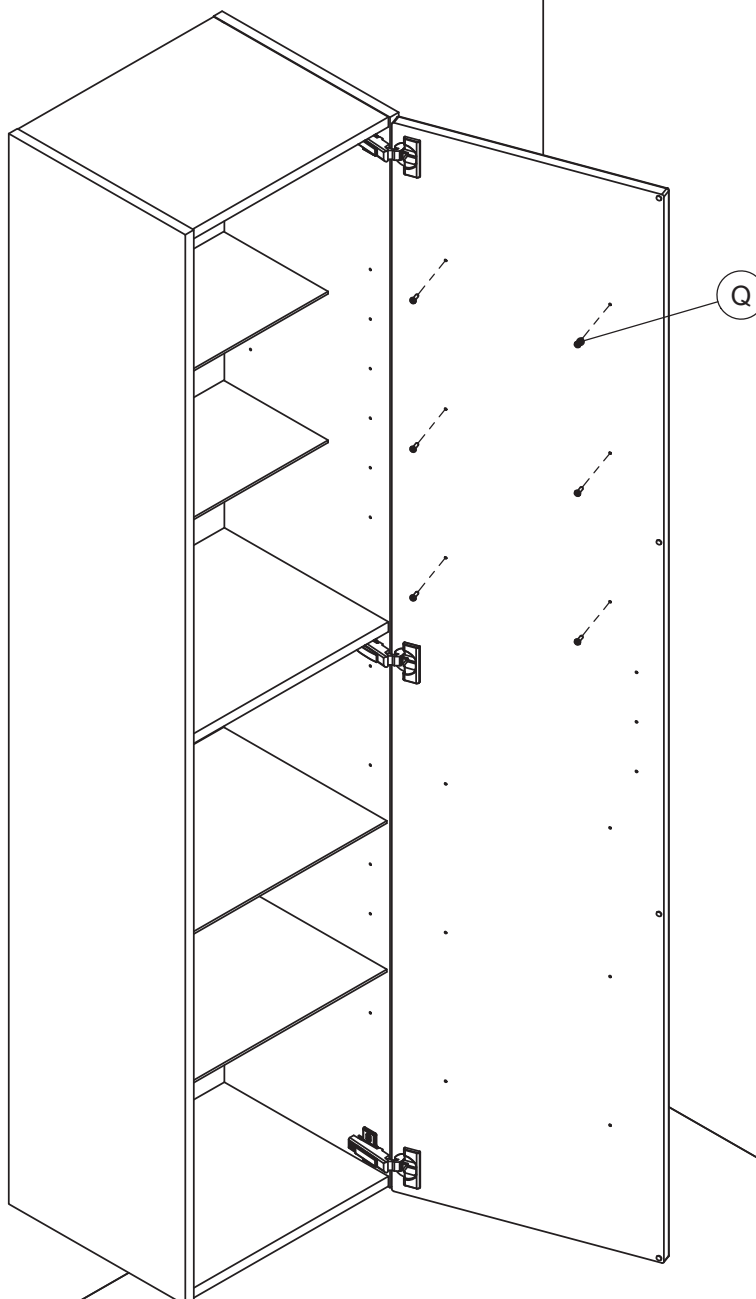
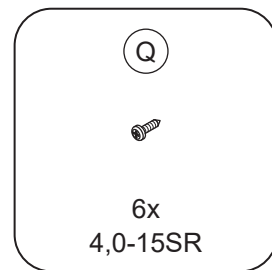
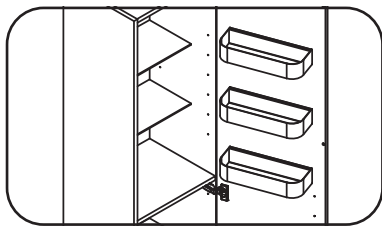
13A



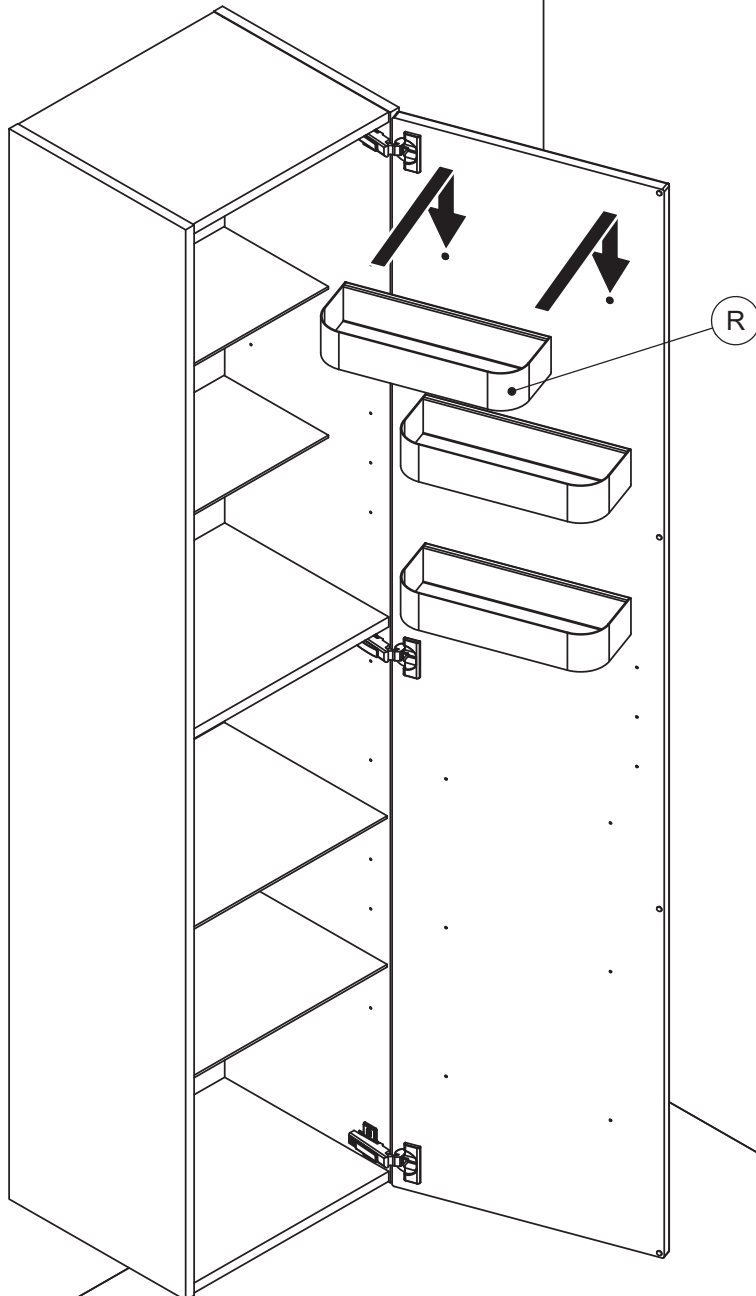
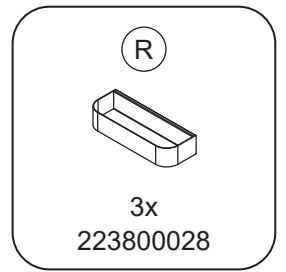
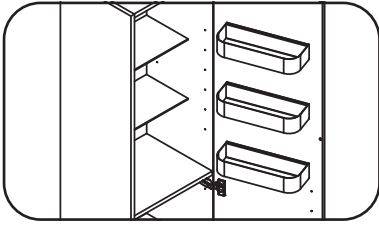
13B



14



15





5 713804 371966

No. 1403 220825 Rev. 00