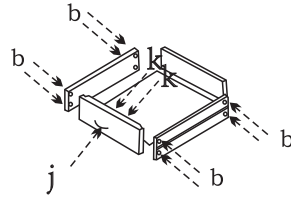
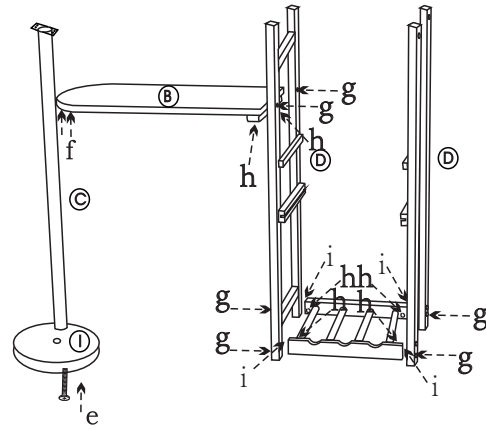


	Ax1
	Bx1
	Cx1
	Dx2
	Ex1
	Fx1
	Gx1
	Hx1
	Ix1
	Jx1
	Kx2

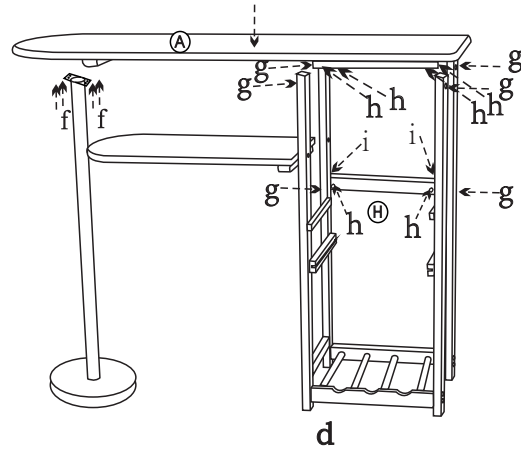
1



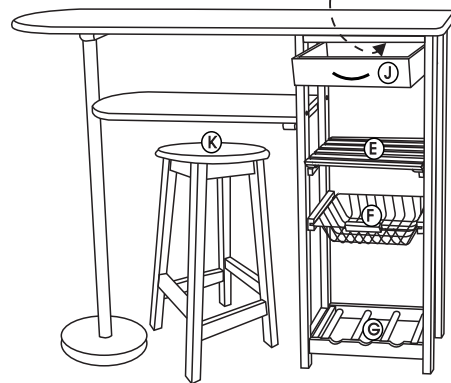
2



3



4



5



	a x 24
	b x 8
	c x 1
	d x 1
	e x 1
	f x 6
	g x 12
	h x 12
	i x 6
	j x 1
	k x 2