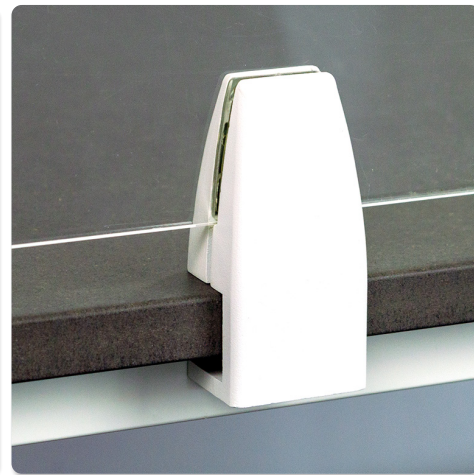
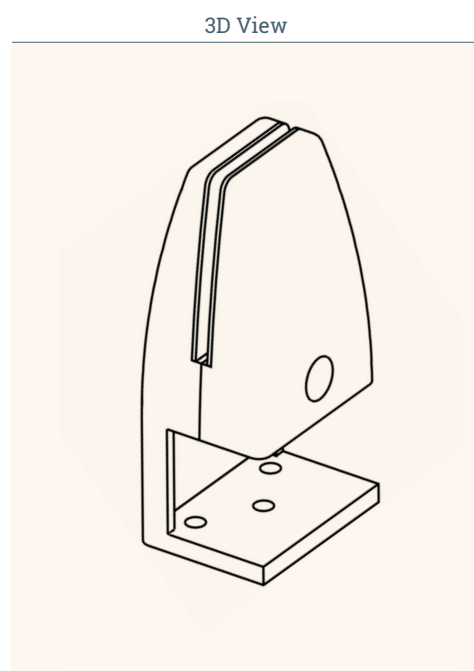
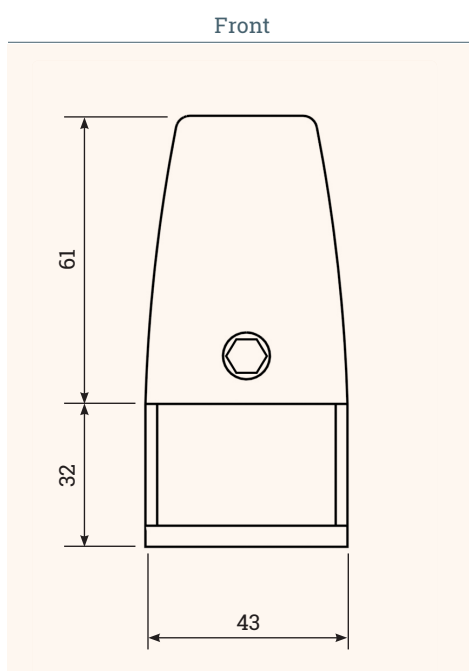
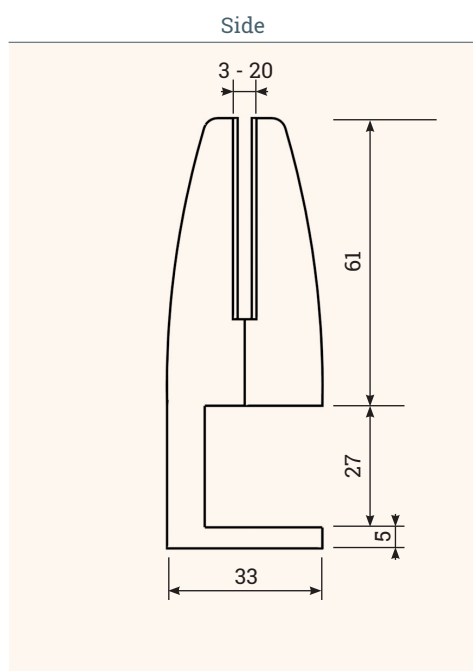


Aluminium die-cast table clamp for our AKUSTIX Vario products

- ✔ Plastic inlay for careful clamping
- ✔ Clamp area (clamp): 3 - 20 mm
- ✔ Clamp area (table fixation): 19 - 25 mm
- ✔ Installation without drilling



Technical Drawings



Article	Description	Material	Colour	Item No.
SOLIDO V	1 pair of table clamps, one-sided, die-cast aluminium, clamping range table top: 19-25mm, clamping range acoustic panel: 3-20 mm, 2x DIN 912 M6x16mm, 2x DIN 912 M6x25mm, grub screws: 3x M6x6mm, 3x M6x12mm, 2 pcs/box	Aluminium die-cast	white	308 109744
		Aluminium die-cast	silver	308 109751
		Aluminium die-cast	black	308 120132