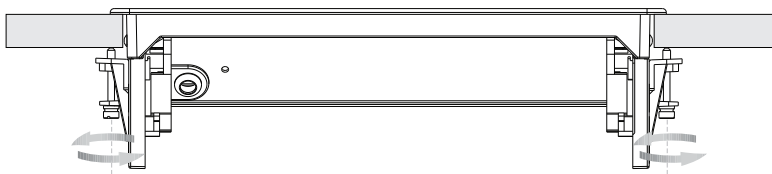


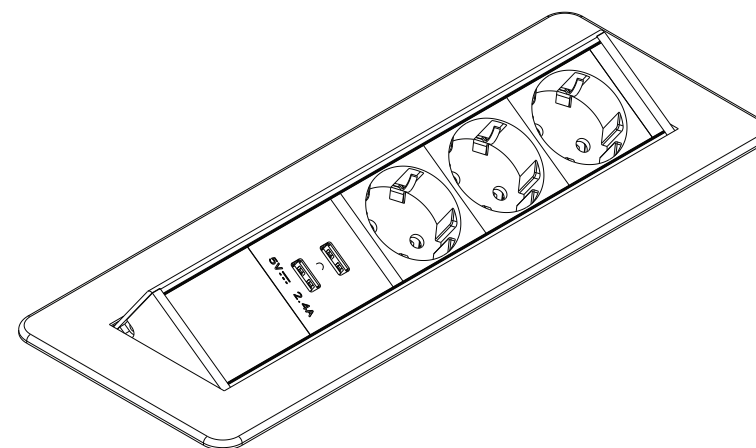
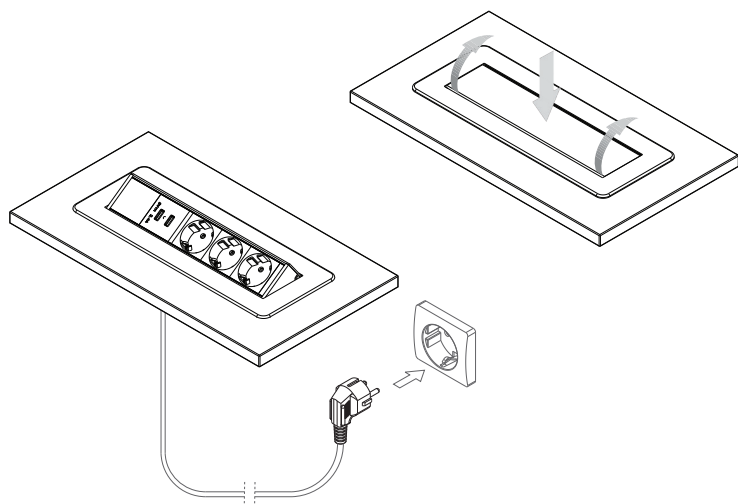
User manual

9803000302/ 9803000309/ 9803000301

- ④ Use the side adjustments screws to make sure that the Axessline QuickBox is firmly secured to the table.



- ⑤ Plug the Axessline Quickbox into a wall outlet. Open and close with a gentle push.



GENERAL NOTES

Before installation, all measurements and conditions must be verified on site.
Neither Forming Function nor any of its distributors can be held liable for product malfunction or other defects as a result of improper installation.

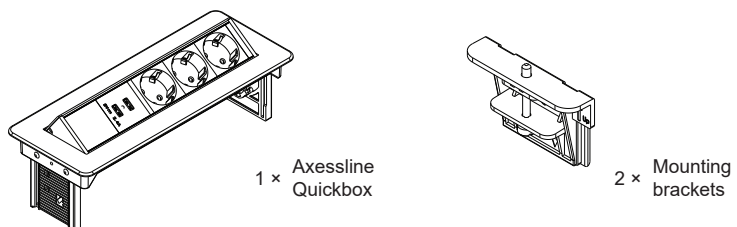
User manual

9803000302/ 9803000309/ 9803000301

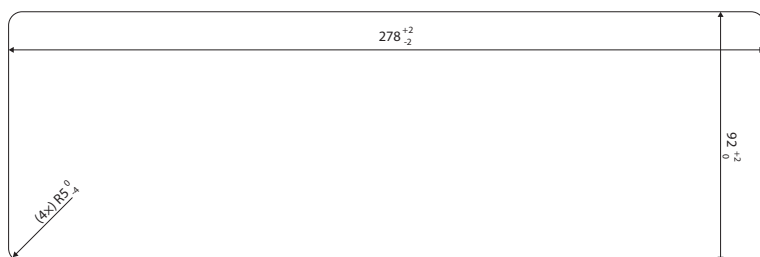
Axessline QuickBox

3 socket type F, 2 USB-A charger

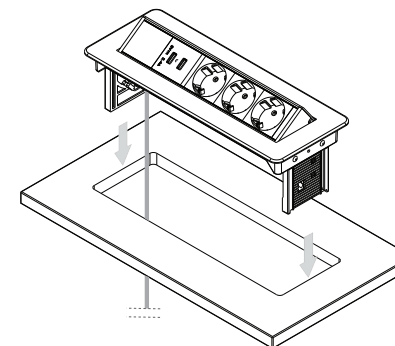
CONTENT



- ① Make a hole in the table, using either a saw or a router. Check measurements against product.



- ② Guide the cable through the hole, and lower the Axessline QuickBox into the hole until the underside of the flange is flush with the table top.



- ③ From below, guide the two mounting brackets into the corresponding tracks on the side of Axessline Quickbox. Push them as far up towards the table's underside as possible.

