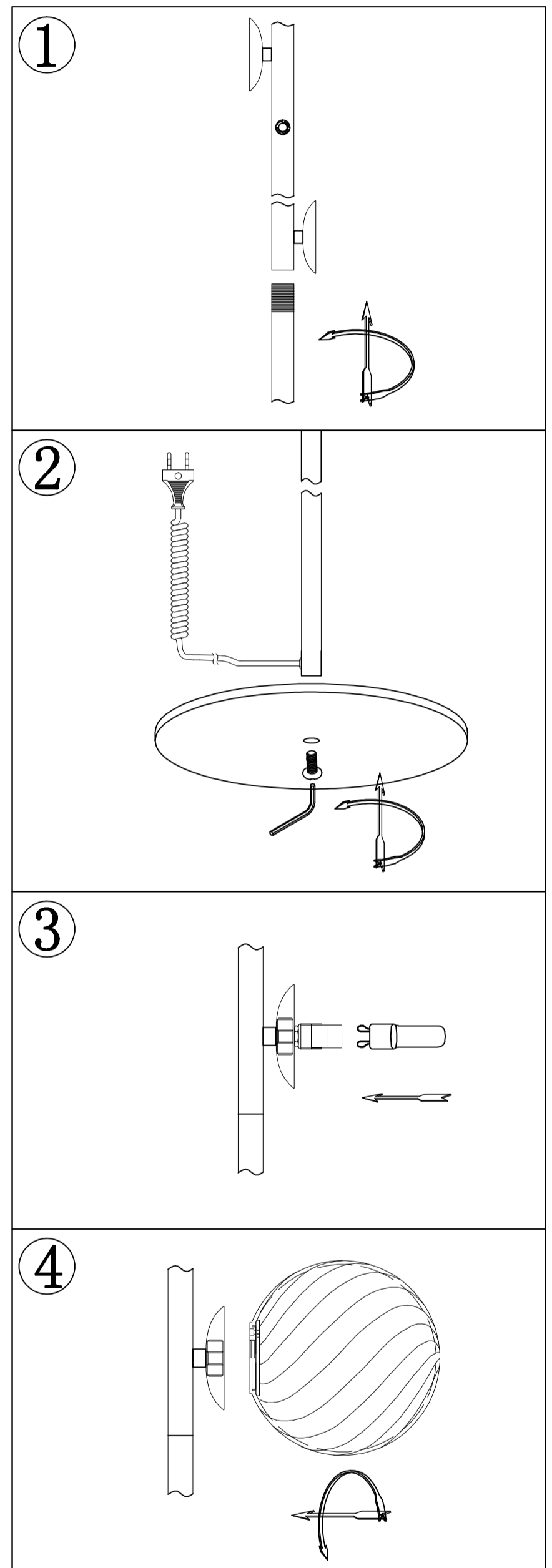
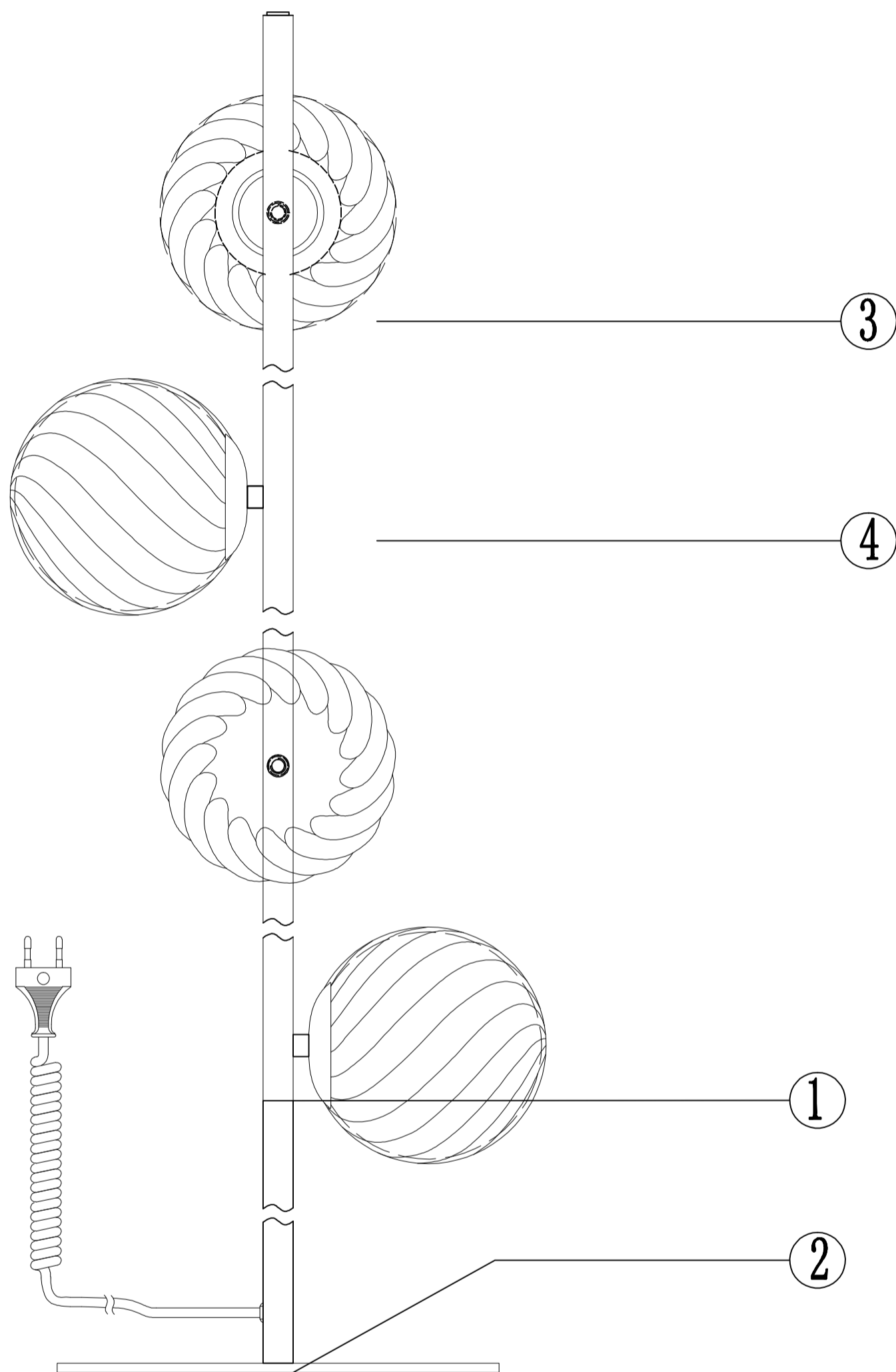


# INSTRUCTION MANUAL

Model: Twist gulvlampe  $\varnothing$ 15cm

halo  
design

COPENHAGEN



# INSTRUCTION MANUAL

**1** Follow the instruction sketch.

**2** Make sure power is OFF on the outlet, before beginning the installation.

**3** Insert the light bulb.

**4** Go through point 1 to 4 before connecting the lamp to the power.

230V .4xG9 . MAX LED 10W

