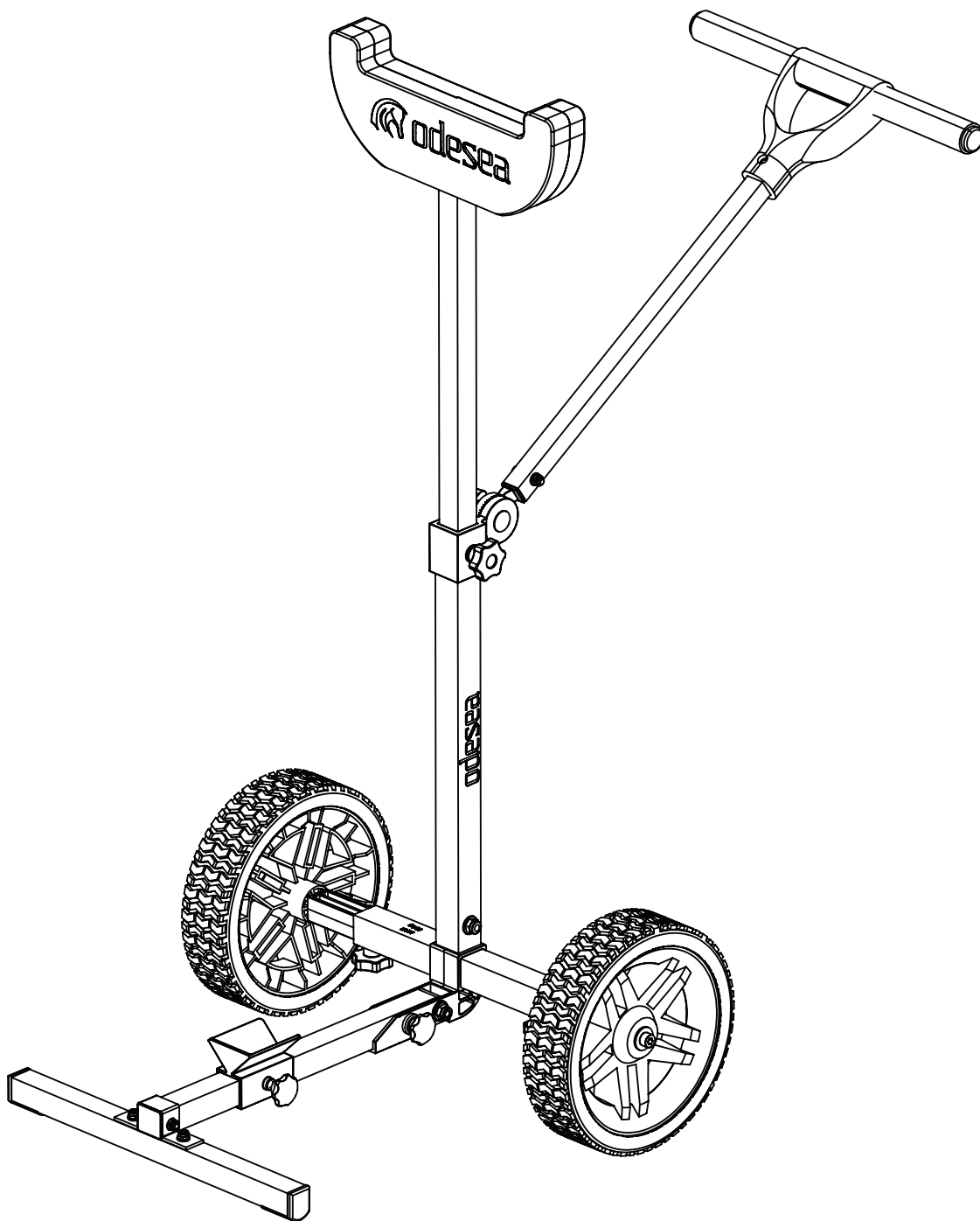
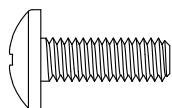


TX-65 INSTALLATION INSTRUCTION



Parts

Bolt M6x30mm



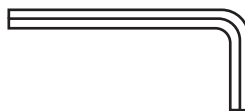
x3

Nut M6



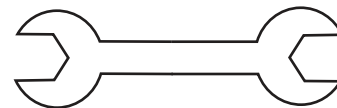
x3

Hex key



x1

Wrench



x1

Safety Caution

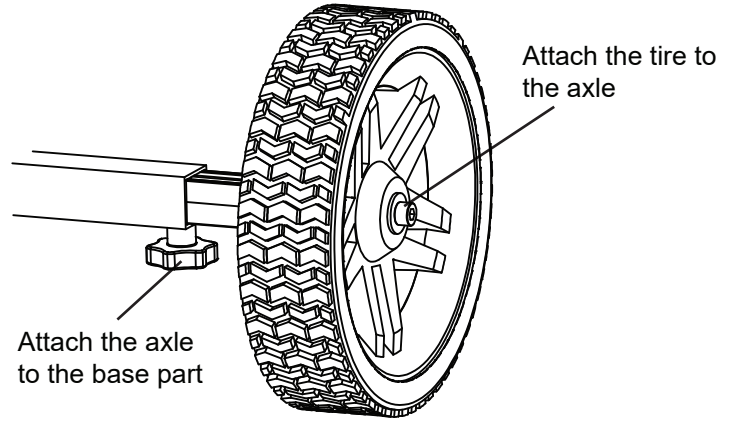
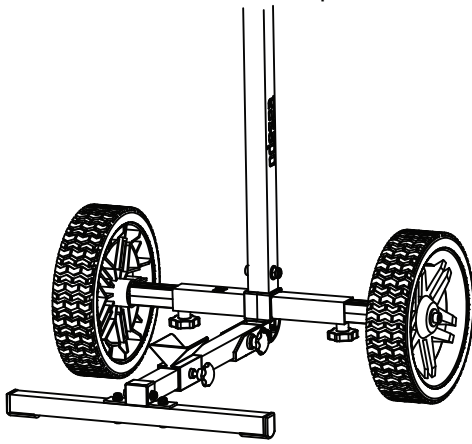
Please read this instruction carefully before installation.

If you do not understand these instructions or have doubts about the safety of the installation, assembly or use of this product, please feel free to contact Customer Service.

- Make sure the weight of the outboard motor does not exceed 60 kg.
- Make sure the outboard motor is fully secured before moving.
- Do not attach the trolley behind your car.

STEP 1

Attach the axle/tires to the base part

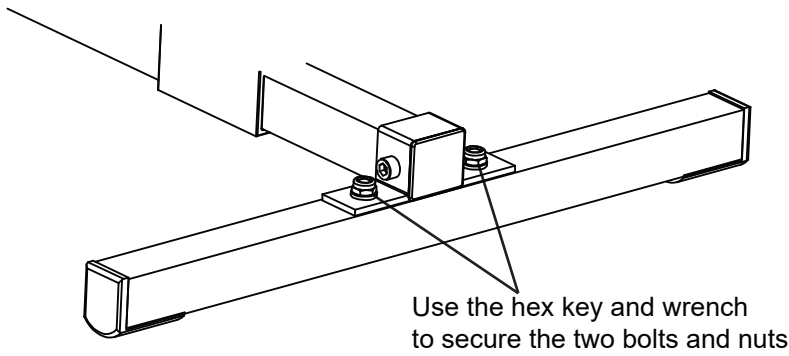


Attach the tire to the axle

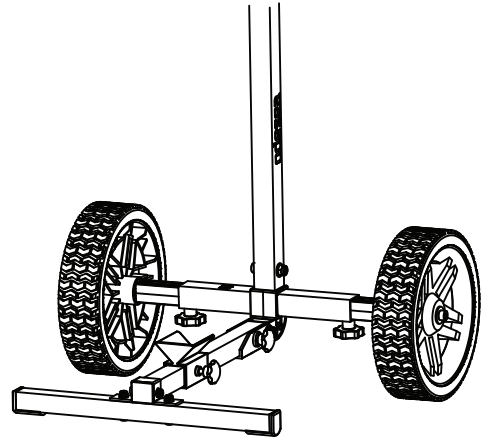
Attach the axle to the base part

STEP 2

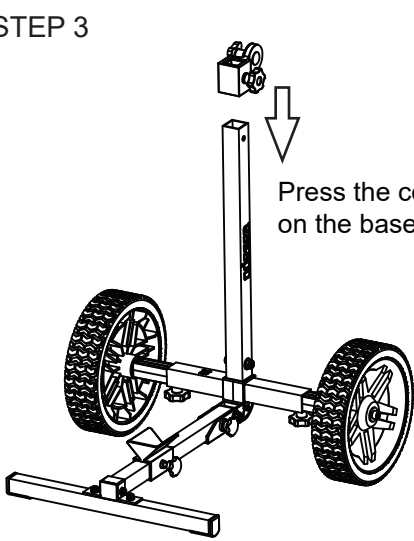
Attach the horizontal support beam to the base part



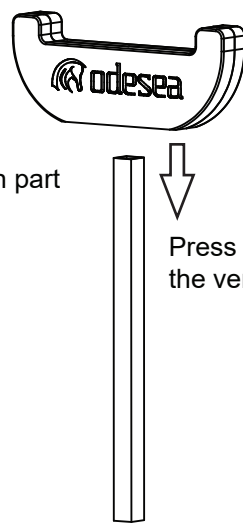
Use the hex key and wrench to secure the two bolts and nuts



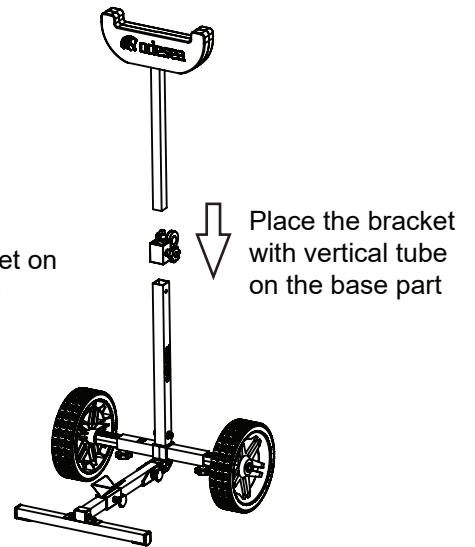
STEP 3



Press the connection part on the base part



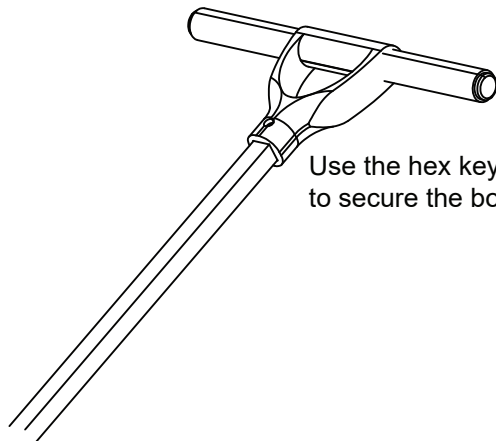
Press the bracket on the vertical tube



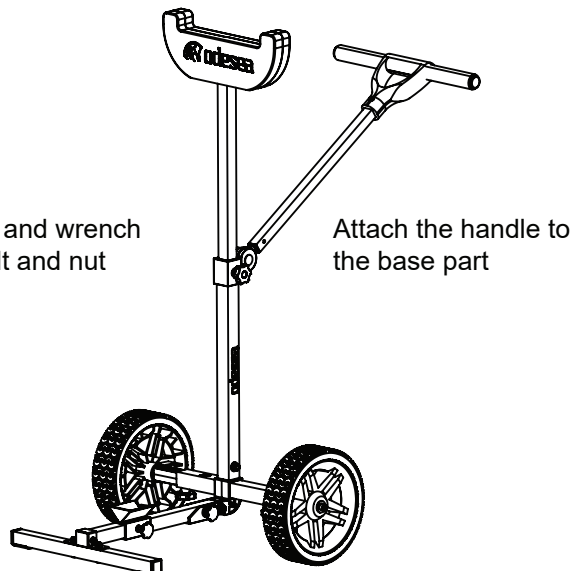
Place the bracket with vertical tube on the base part

STEP 4

Attach the handle



Use the hex key and wrench to secure the bolt and nut



Attach the handle to the base part