

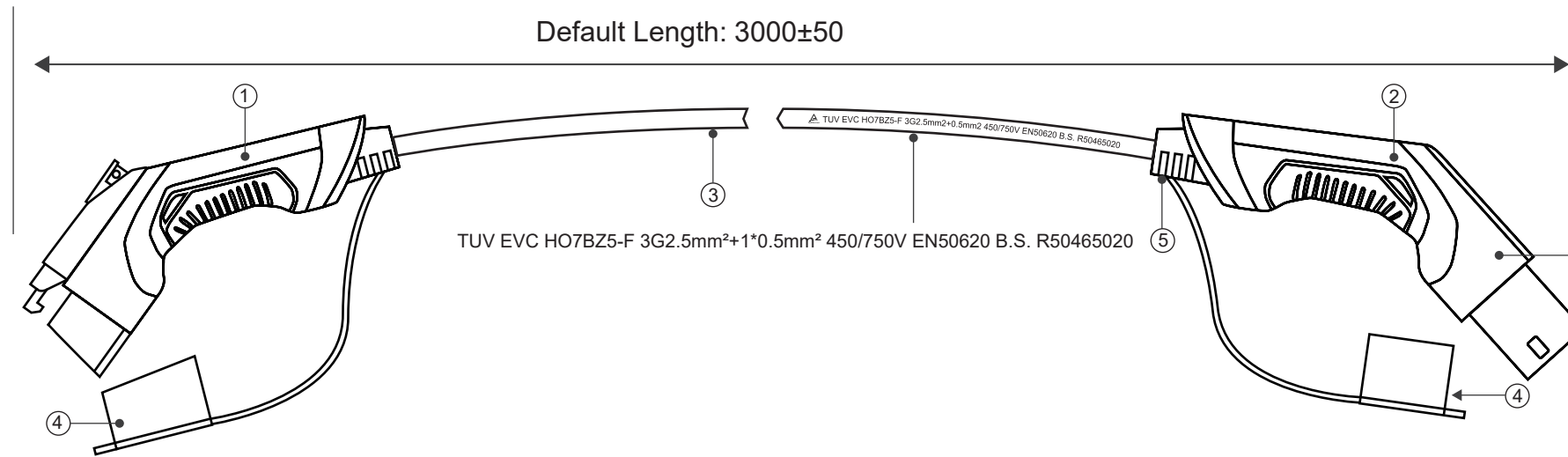
MODE 3 EV CHARGING CABLE

ITEM NO.: EV-1103
(Max. Power 3.6 kW)

STANDARDS/DIRECTIVES: EN 62196-1:2014
EN 62196-2:2017

REVISIONS

| REV. | DESCRIPTION | DATE |
|------|---------------------------------|------------|
| A | Updating of cable specification | 2020/05/22 |
| B | | |



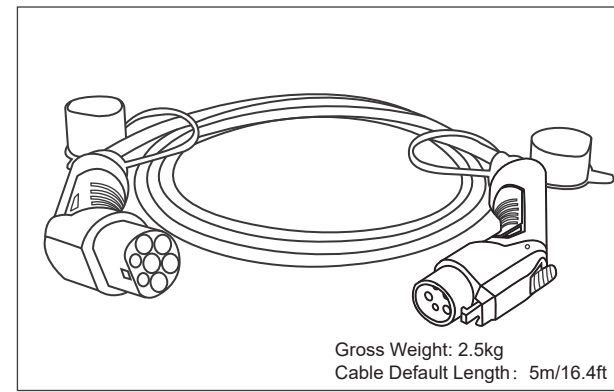
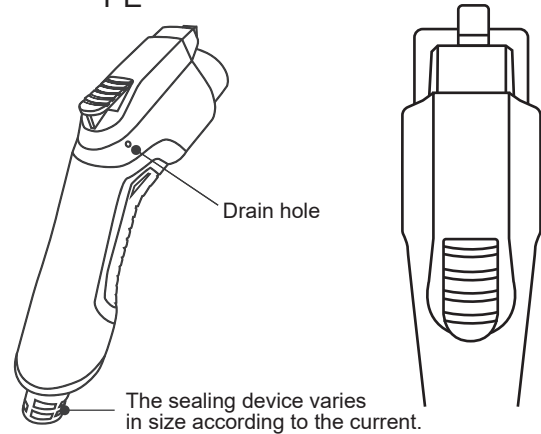
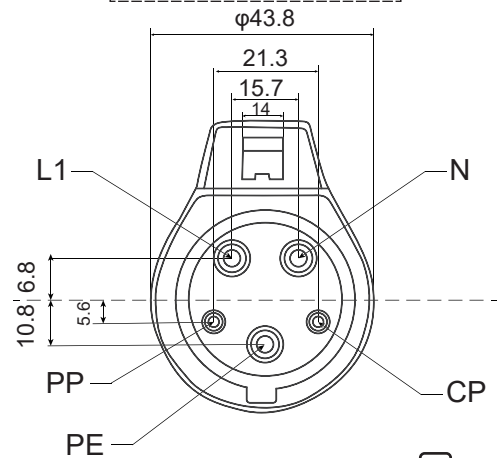
HEAT SENSOR

Both plugs have built-in temperature control. Once the set safe temperature is exceeded, the current will be cut off automatically.

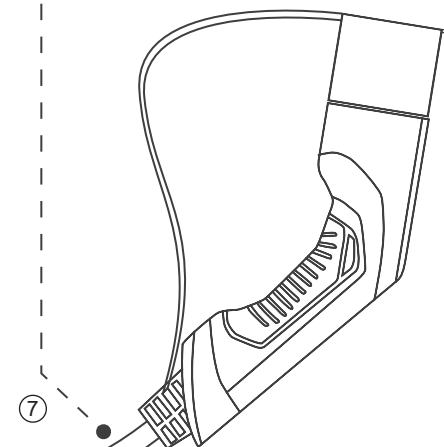
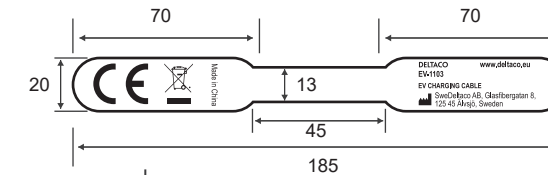
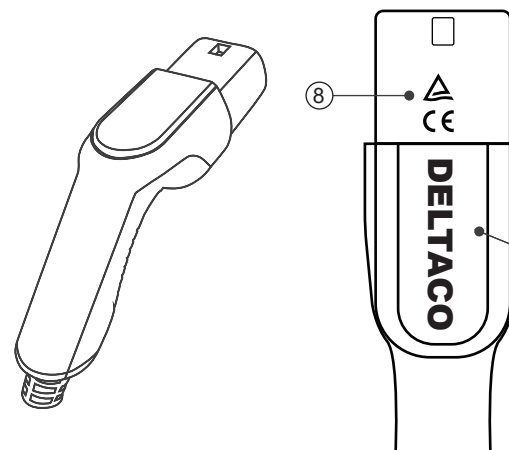
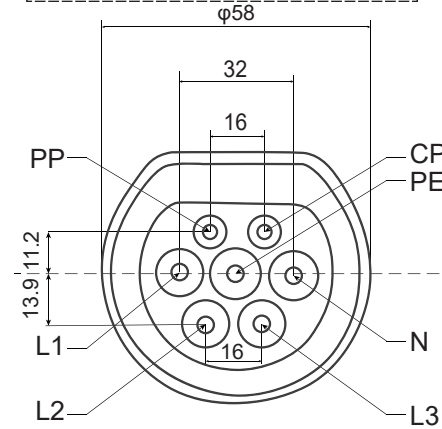
SPECIFICATION

Current: Maximum 16A
 Power Supply: 1-Phase
 Operational Voltage: 220±10% AC
 Protection Degree: IP54
 Insulation Resistance: > 10MΩ
 Insulator Flammability: UL94
 Withstand Voltage: 2000V
 Relative Humidity: 0-95% non-condensing
 Maximum Altitude: < 2000M
 Service Life: 10,000 times
 Operating Temperature: - 40 °C ~ + 100 °C

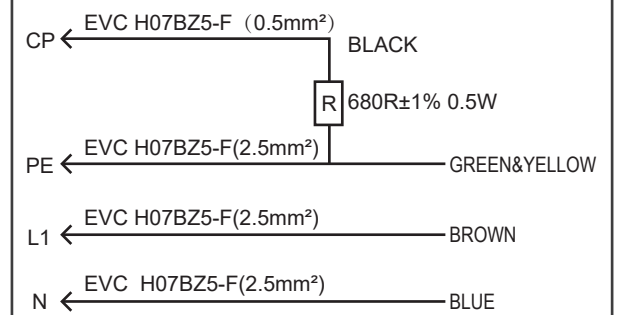
SAE J1772 (TYPE 1)



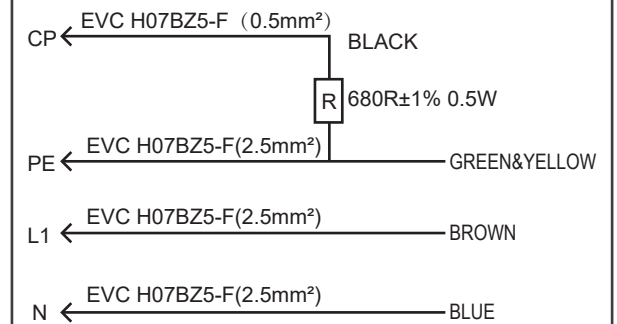
IEC 62196-2 (TYPE 2-MALE)



TYPE 1 (SAE J1772) CONNECTOR



TYPE 2 (IEC62196-2) CONNECTOR



PRODUCT ADVANTAGES:

- Uniquely designed plug terminals with self-cleaning function to prevent electric sparks
- Silver-plated plug terminals with good conductivity to prevent over-heating
- Detection and control of inner temperature to ensure charging safety
- Integrated plug design with excellent waterproof performance to support outdoor use
- Solid plug structure can withstand the rolling of a vehicle

| ITEM | DESCRIPTION | DEFAULT COLOR |
|------|----------------------------------|---------------|
| ① | Plug SAE J1772 (Type 1) | BLACK |
| ② | Plug IEC 62196-2 (Type 2 - male) | BLACK |
| ③ | TUV licensed EV charging cable | BLACK |
| ④ | Waterproof cover | BLACK |
| ⑤ | Sealing device | BLACK |
| ⑥ | Customized laser printed logo | GREY |
| ⑦ | Customized CE tag on cable | BLACK |
| ⑧ | Printed CE & TUV logo on plug | WHITE |



| | SIGNATURE |
|-----------------|-----------|
| SAFETY ENGINEER | |
| MANAGER BY: | |
| CHECKED BY: | |
| DRAWN BY: | |

| | |
|------------------------|------------------|
| DELTAACO | |
| ITEM NO.: EV-1103 | DATE: 2020/05/19 |
| UNIT: mm | SHEET: 1 OF 1 |
| DWG NO: BSCNC07 | |
| | REV. A |