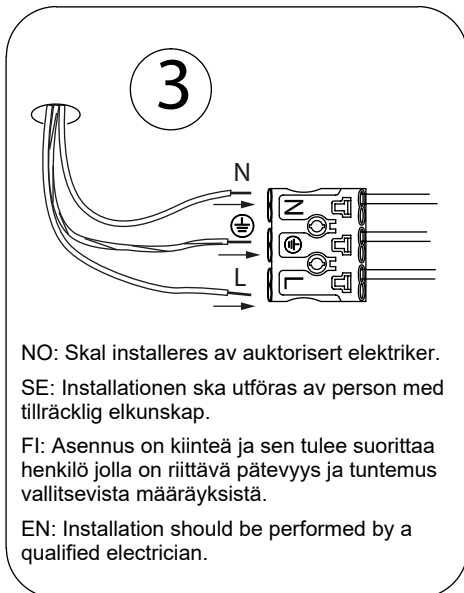
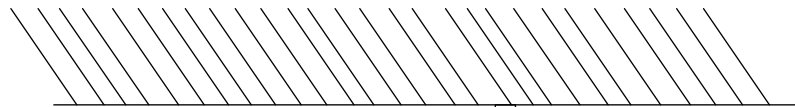
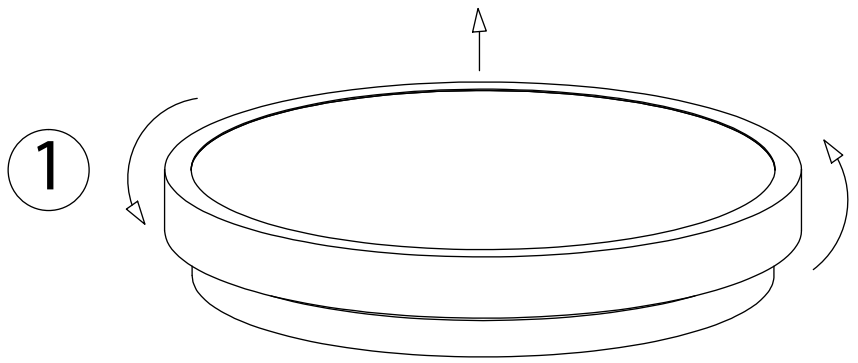


ANILLO

66920

www.aneta.se
www.aneta.no



SE: Denna produkt innehåller en ljuskälla med energieffektivitetsklass F. Diodelyskilden kan skiftas som reservdel. 50000 tim ≈ 20 år (6 tim/dag)

NO: Dette produktet inneholder en lyskilde med energieffektivitetsklasse F. Lysdioden är utbyttbar som reservdel. 50000 tim ≈ 20 år (6 tim/dag)

FI: Tämä tuote sisältää valonlähteen, joiden energiatehokkuusluokka on F. LED valolähde vaihdetta vissa, löytyy varaosana. 50 000 tuntia ≈ 20 vuotta (6 t/päivä)

EN: This product contains one light source of energy efficiency class F. The LED-chip is exchangeable as a spare part.

Light Source data (1 pce):

Lighting technology used: LED
Mains or non-mains: mains
Directional or non-directional: non-directional
Connected L.S.: no
Color-tuneable: no
Envelope: no
High luminance: no
Anti-glare shield: no
Dimmable: yes
Energy consumption in on-mode: . 12 kWh / 1000 h
Energy efficiency class (A-G): F
Useful luminous flux: 1225 lm *
CCT colour temperature: 3000 K
On-mode power: 12 W

Stand-by power: N/A
Networked standby power: N/A
CRI: > 80
R9 color rendering index: 7
SDCM: < 6
Chromaticity coordinates (X, Y): ... 0.440, 0.403
Lifetime $L_{70}B_{50}$: 50 000 hours
Lumen maintenance factor: 0.90
Survival factor: 0.96
Flicker metric Pst LM: 0.4
Stroboscopic effect: 0.06
Displacement factor: 0.91
Power supply input: 220-240VAC

* The luminous flux stated here is the value for the light source itself in accordance with Regulation (EU) 2019/2015. The luminous flux stated on the packing box is for the lighting fitting, where the light from the light source is partly absorbed by glass/glare shield/shade and parts of the fitting, and is therefore lower than for the light source.

NO: Rengjøring:
Tørkes av med tørr klut.

SE: Rengöring:
Torkas med torr trasa.

FI: Puhdistus:
Pyyhi kuivalla liinalla.

EN: Cleaning:
Wipe with a dry cloth.