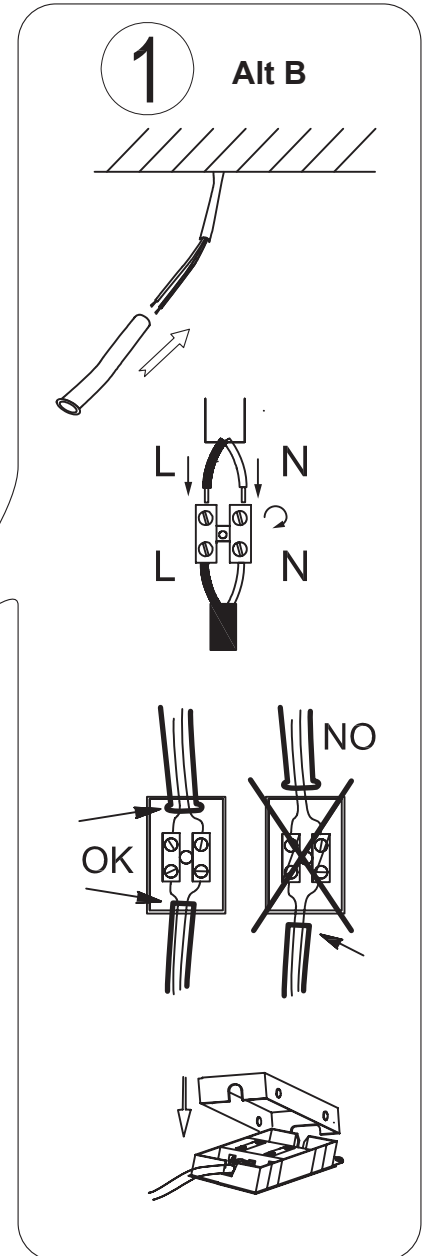
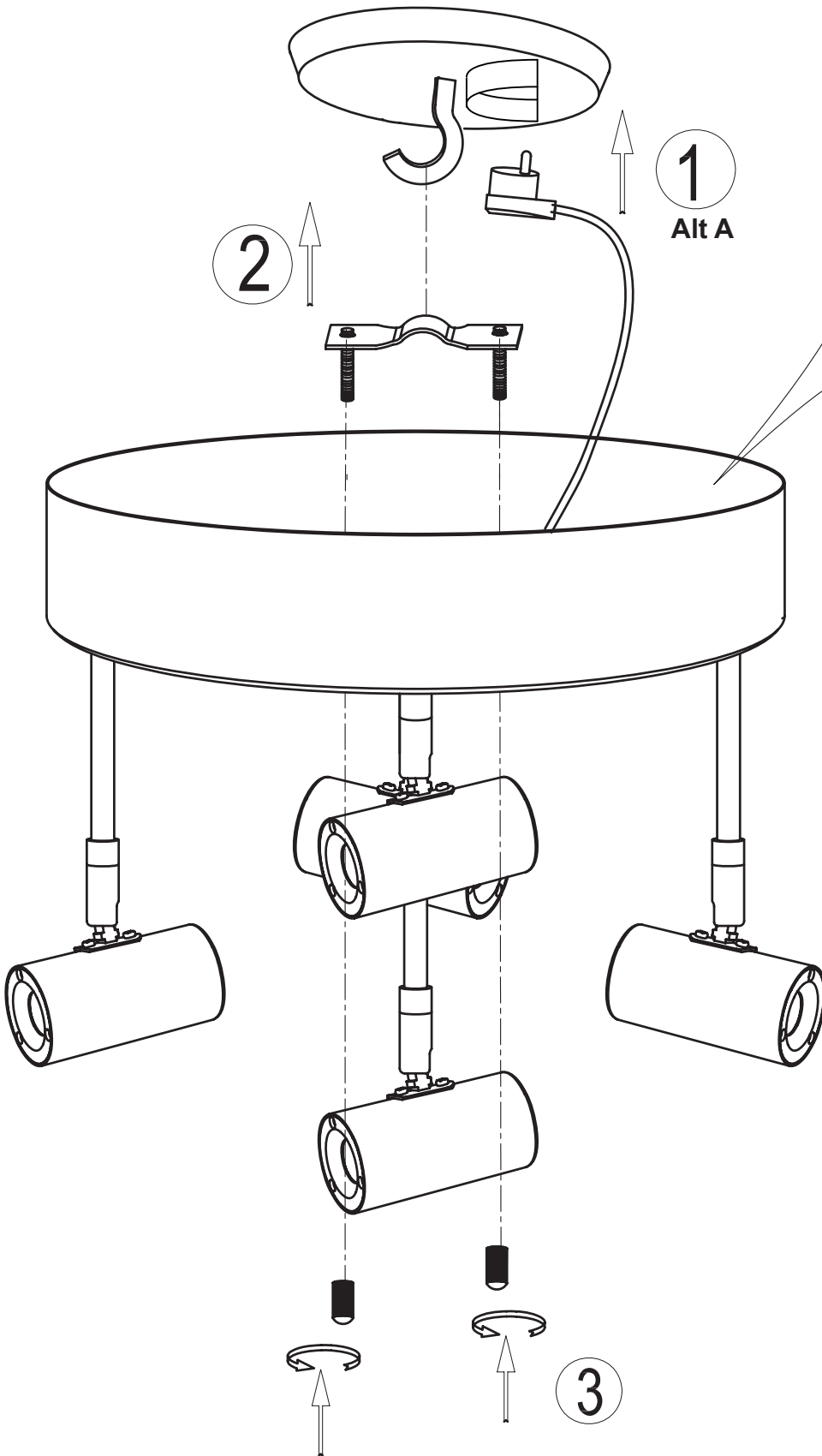


SCAN  
LAMPS

# GUSTO 76701



ENERGY LABEL  
енергия · ενεργεια

A<sup>++</sup>  
A<sup>+</sup> **A<sup>+</sup>**  
A  
B  
C  
D  
E

27,5 kWh/1000h

5 x 400 lm

5 x 5W LED

T = 3000K warm white

Lifetime 20 000 h

△ 90° Ra ≥ 80

ON 20 000 OFF 0 s