

Broil King®



Broil King

ROYAL S 310

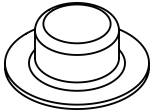
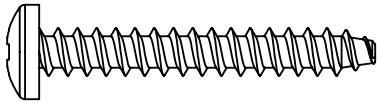
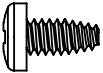
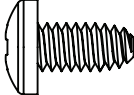
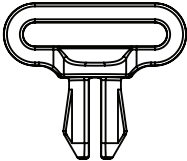
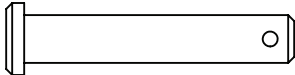
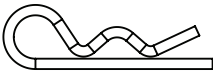
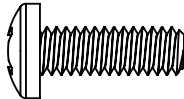
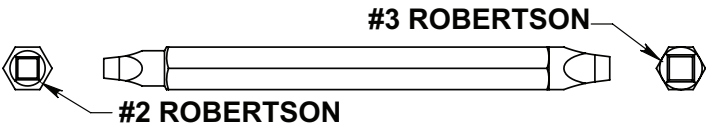
8241-52

8241-53

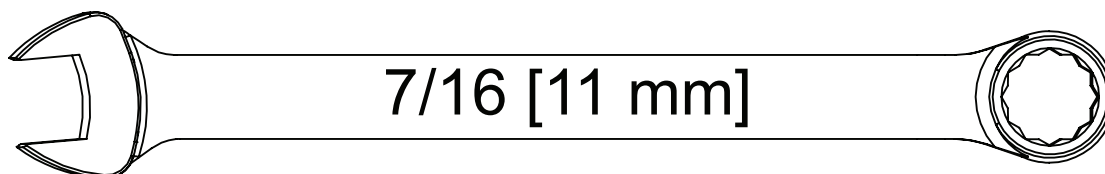
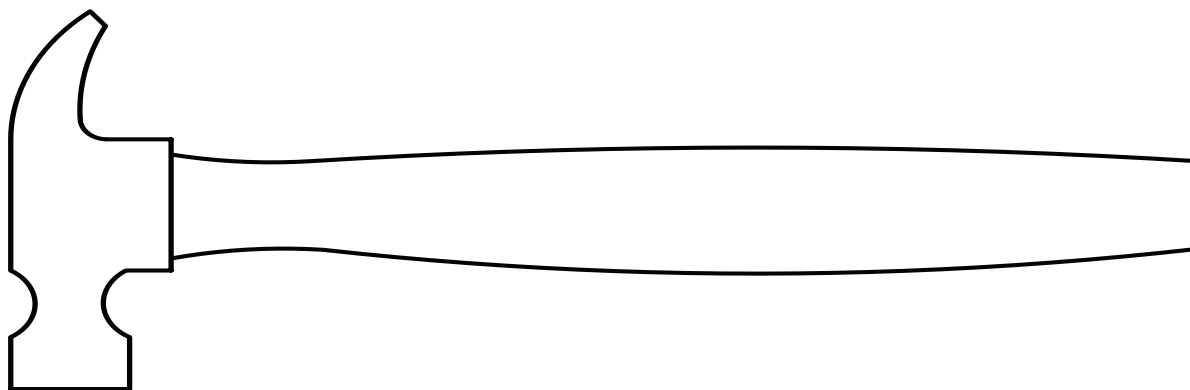
Onward
SINCE 1906
MANUFACTURING COMPANY
585 KUMPF DRIVE LIMITED
WATERLOO, ONTARIO, CANADA
N2V 1K3

10084-E47EU REV C 04/21

HARDWARE INCLUDED / MATERIAL INCLUS / EQUIPOS INCLUIDO

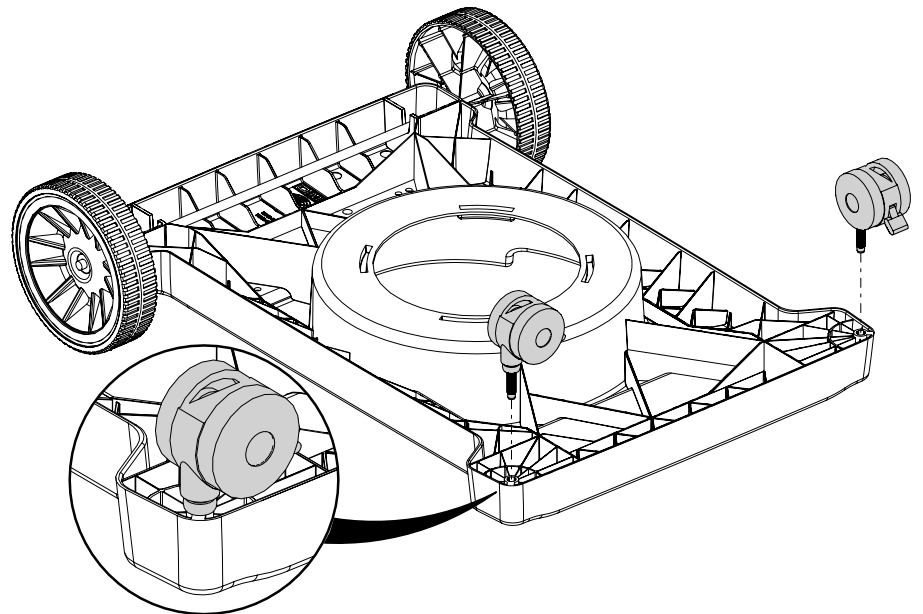
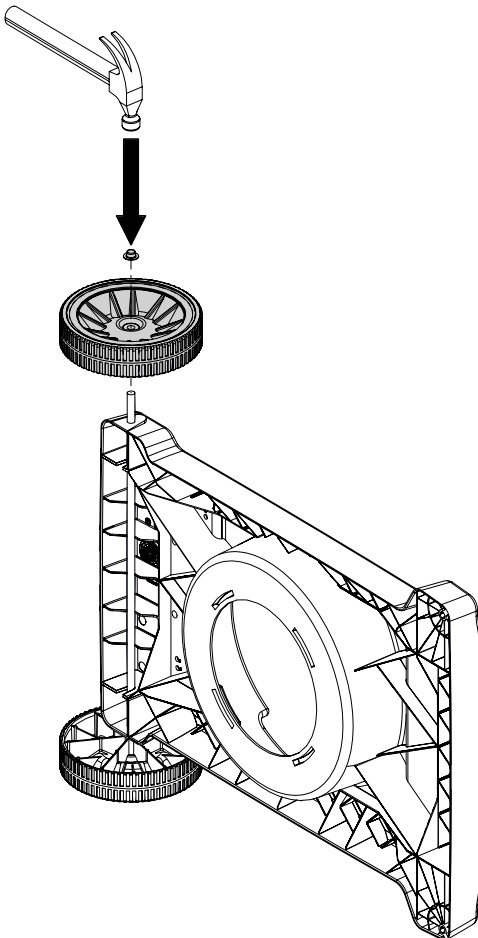
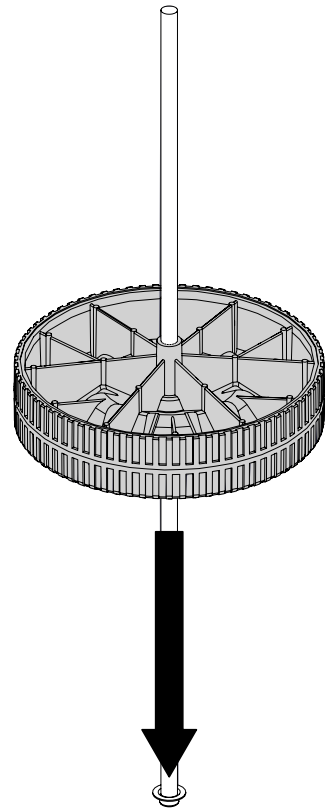
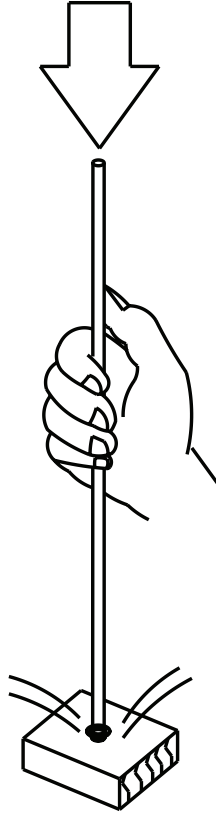
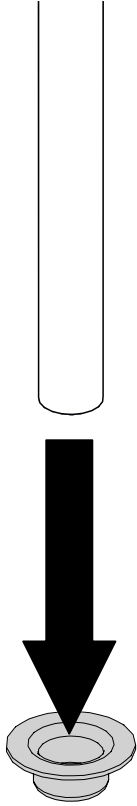
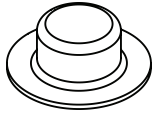
S21420		(2)	Y-11563		(4)
Y-29304		(2)	Y-12865		(6)
Y-12673		(2)	10240-15		(2)
S21233		(2)	Y-12310		(2)
	 <p>#3 ROBERTSON</p> <p>#2 ROBERTSON</p>				

TOOLS REQUIRED / OUTILS NECESSAIRES / HERRAMIENTAS NECESARIAS

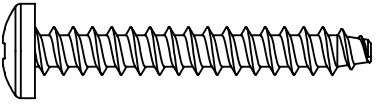


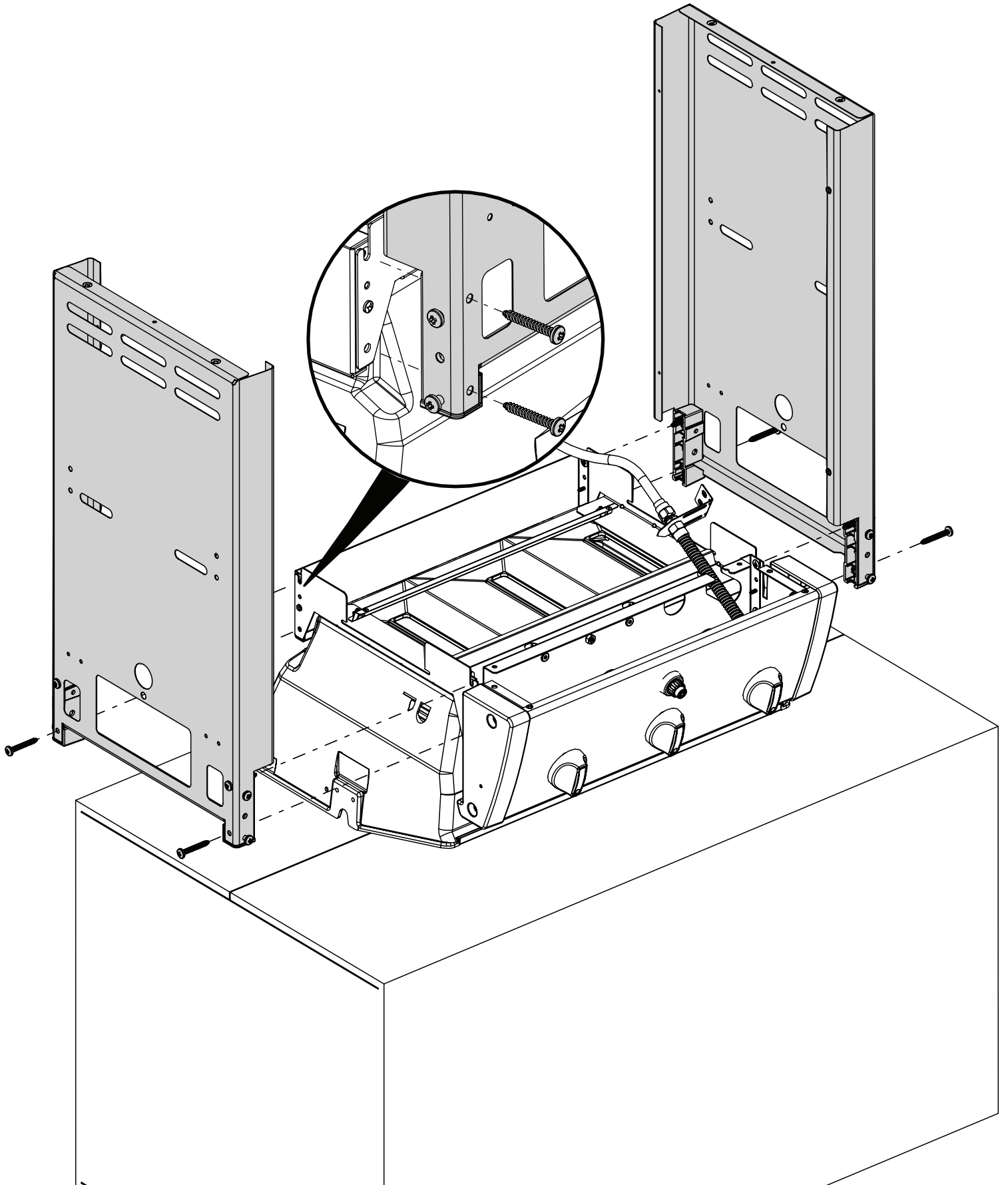
1

(2)

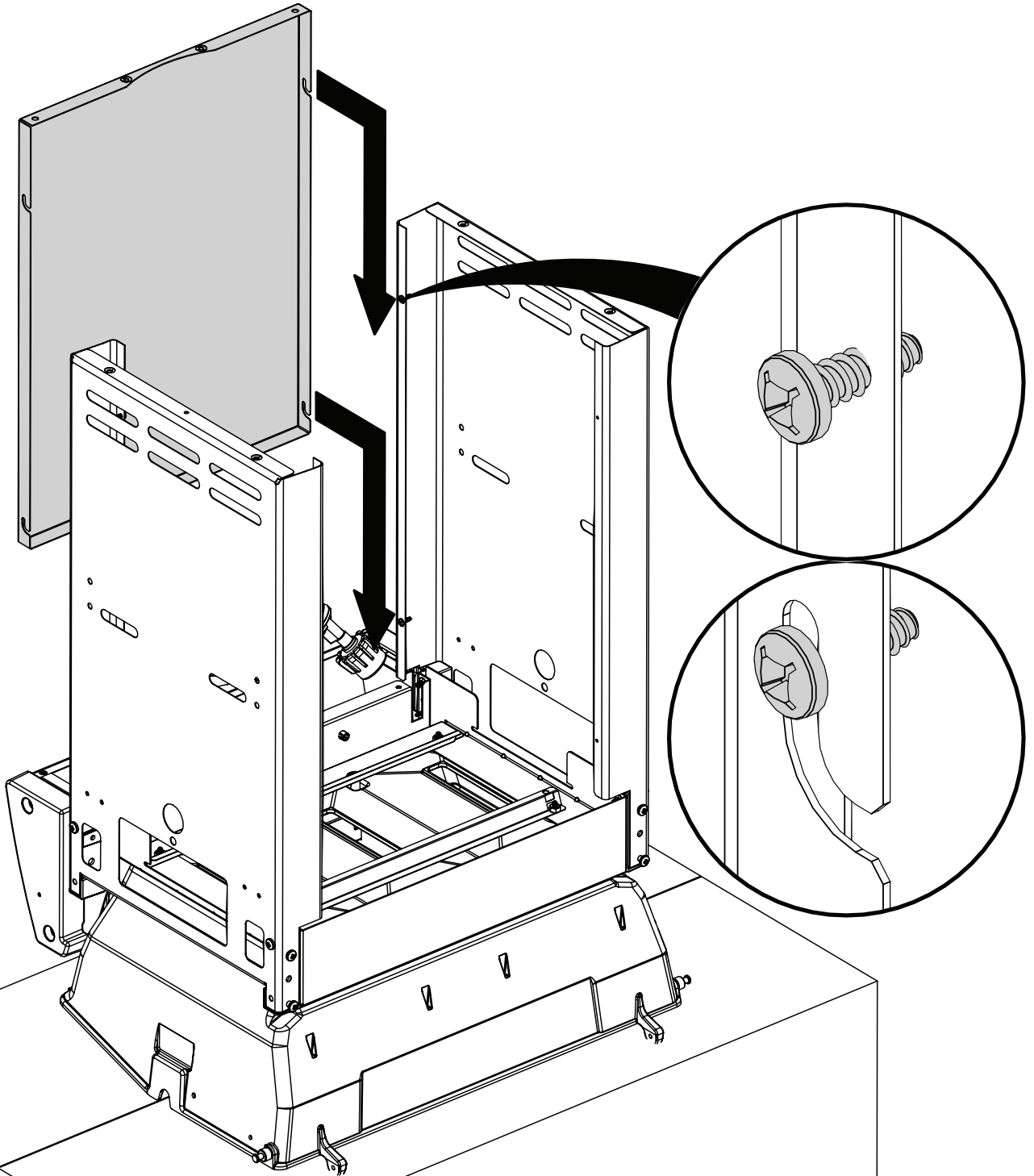


2

(4) 

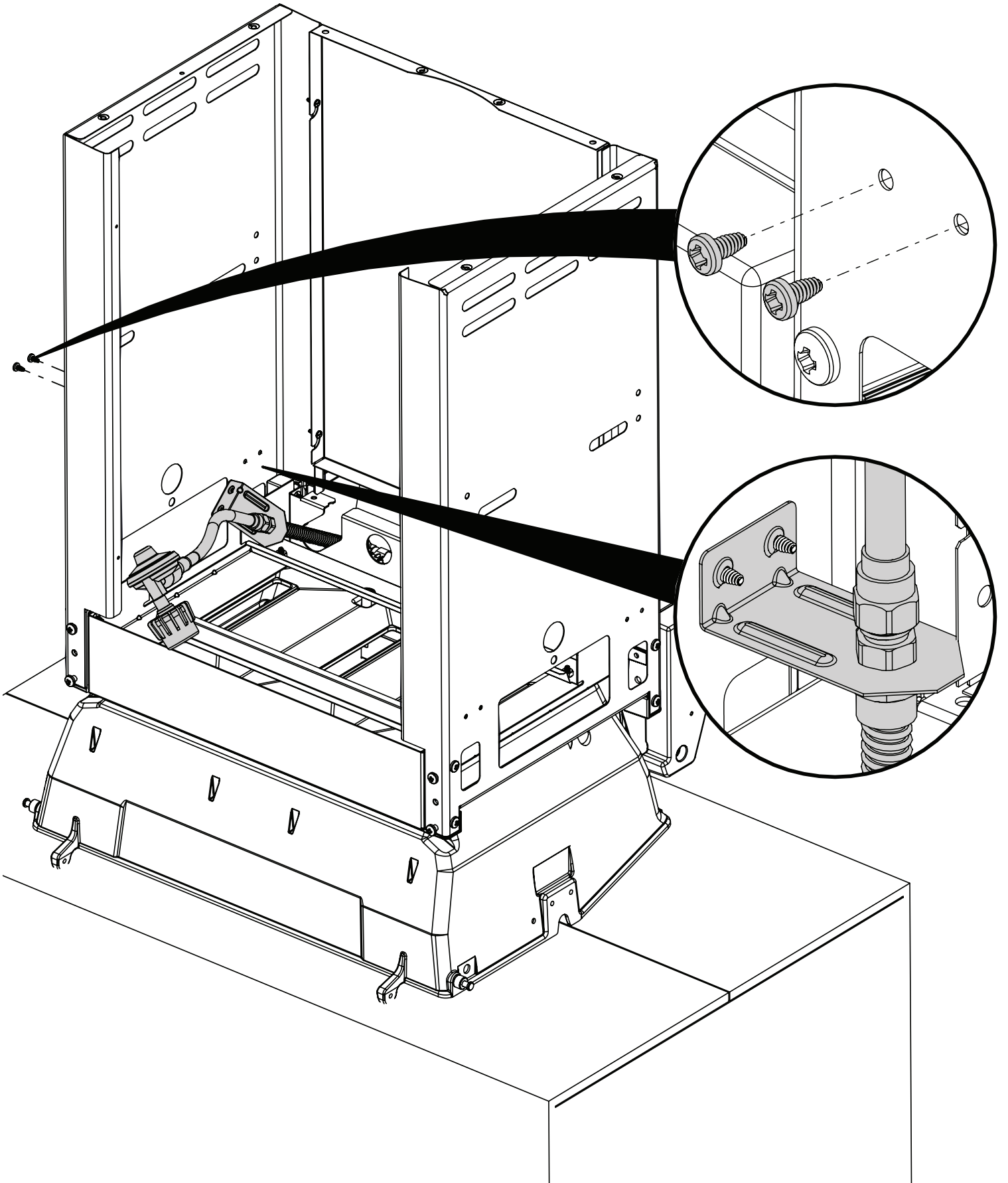


3



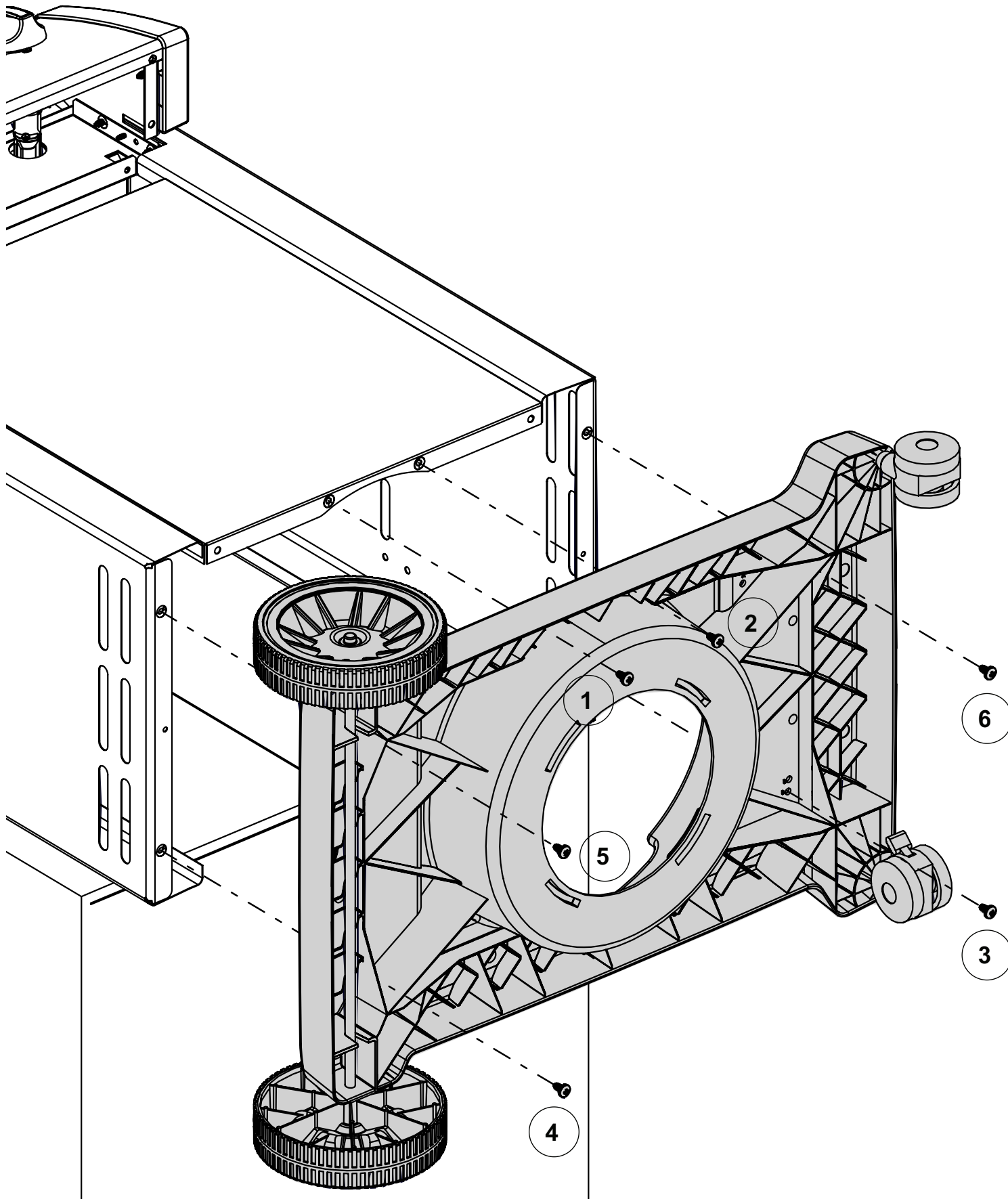
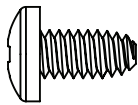
4

(2) 

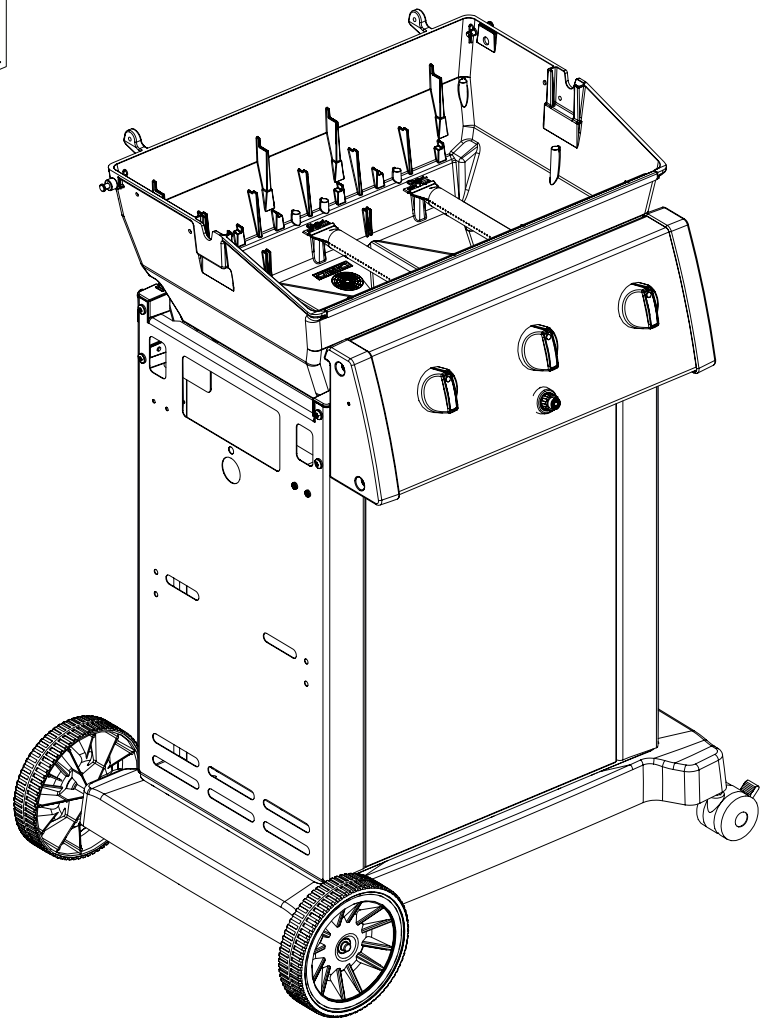
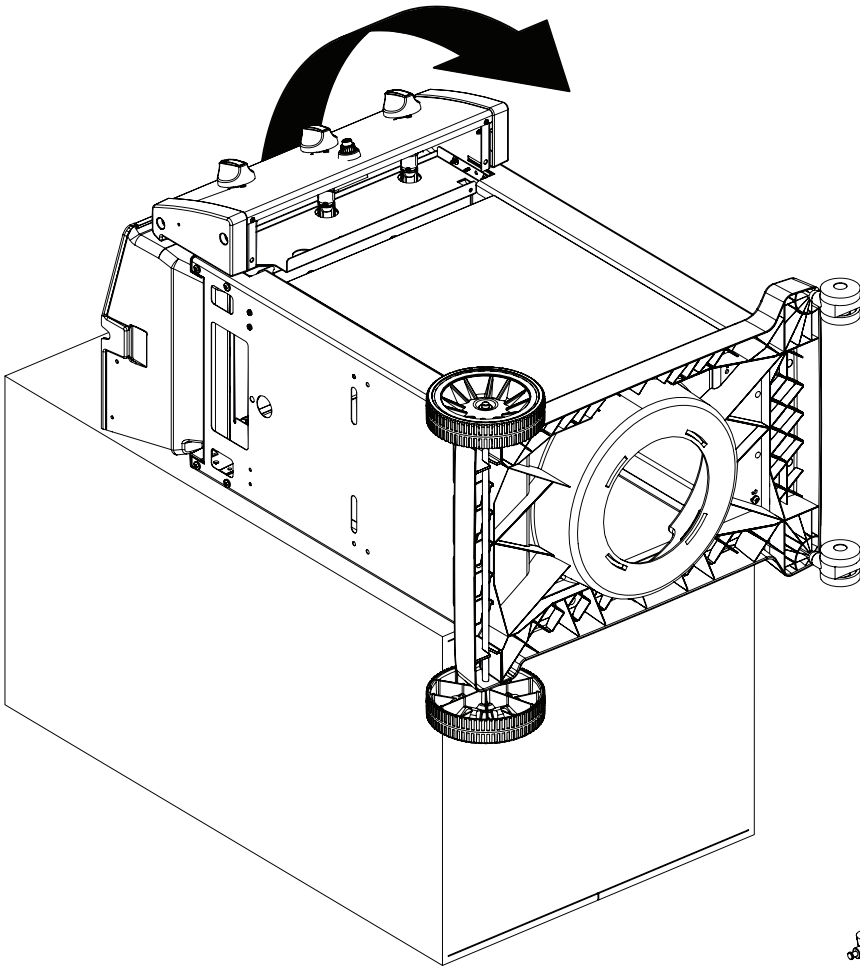


5

(6)

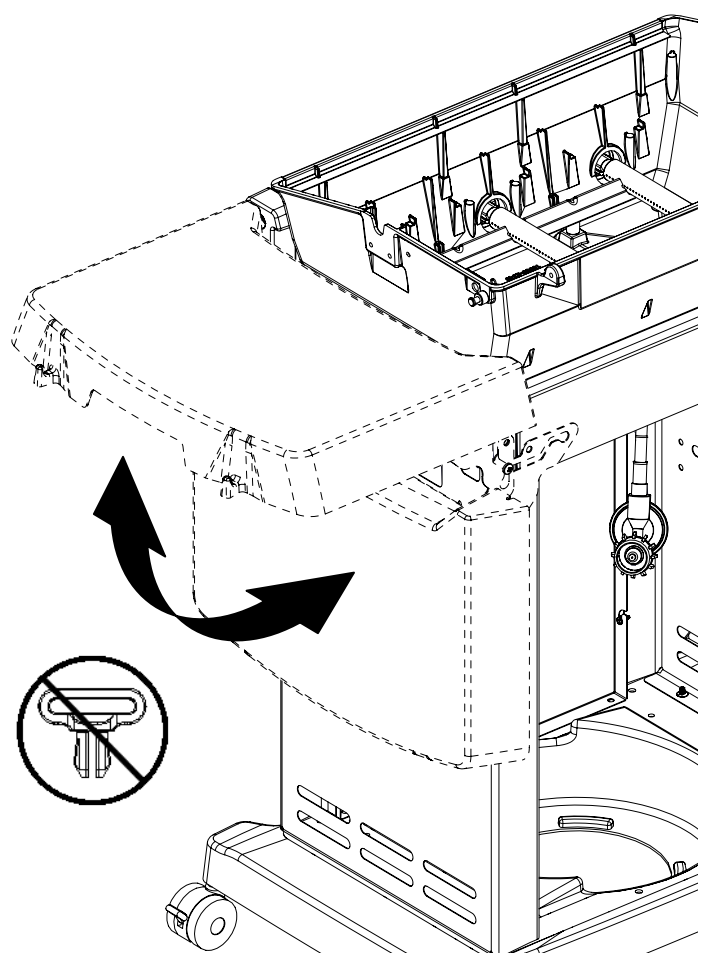
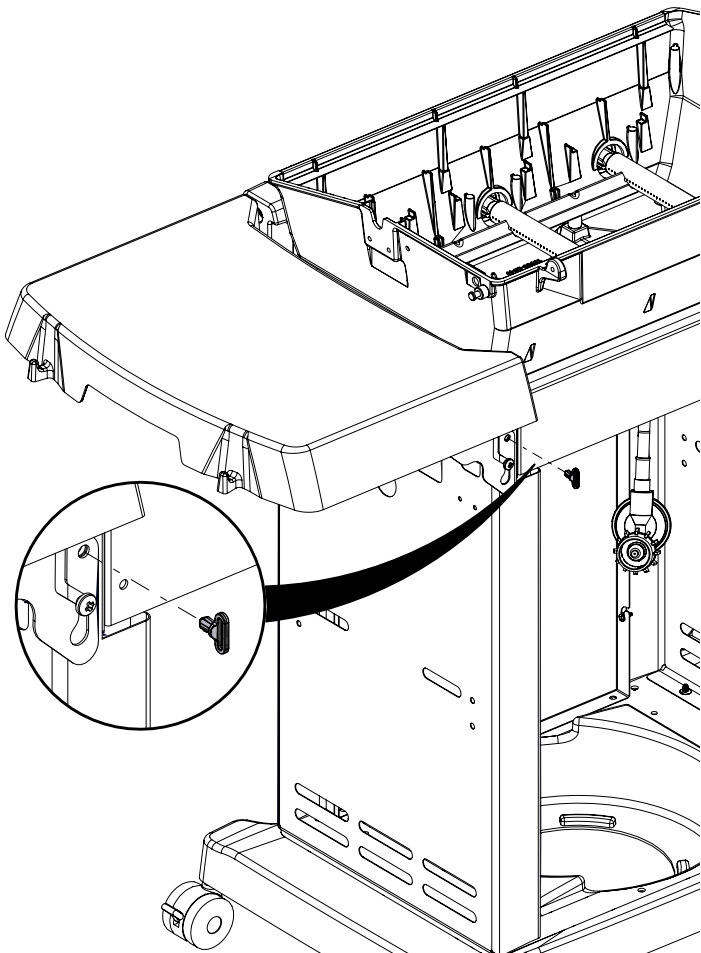
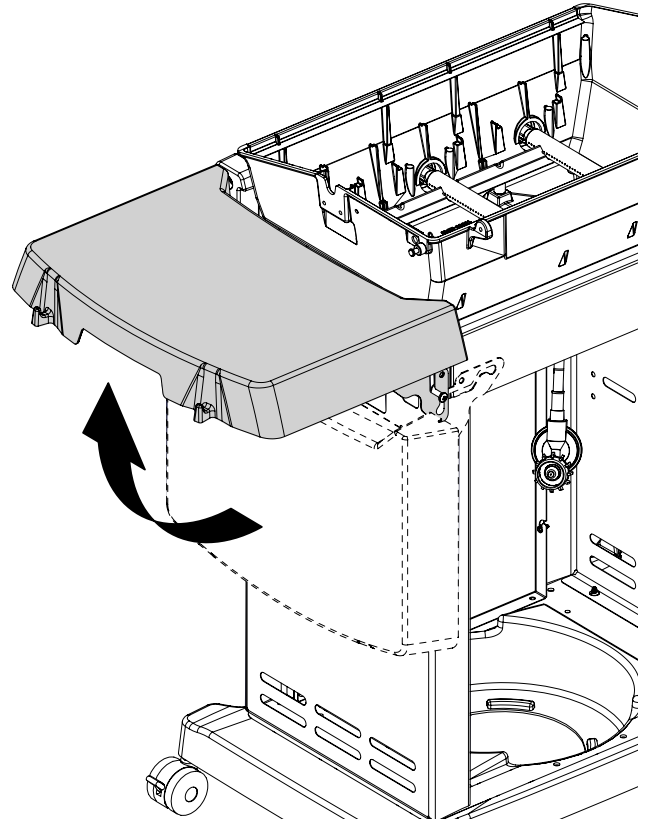
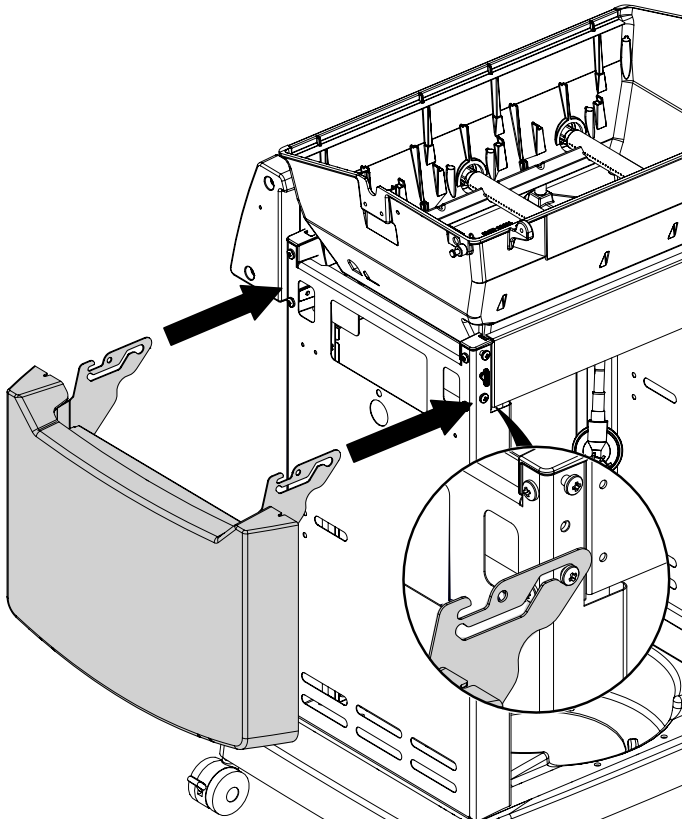
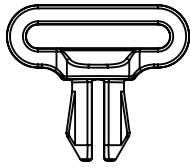


6

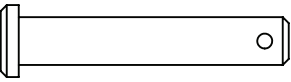
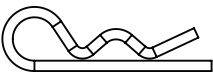


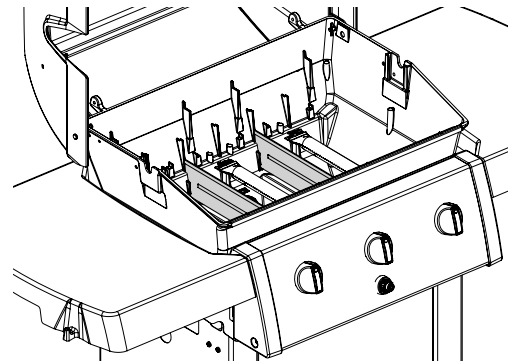
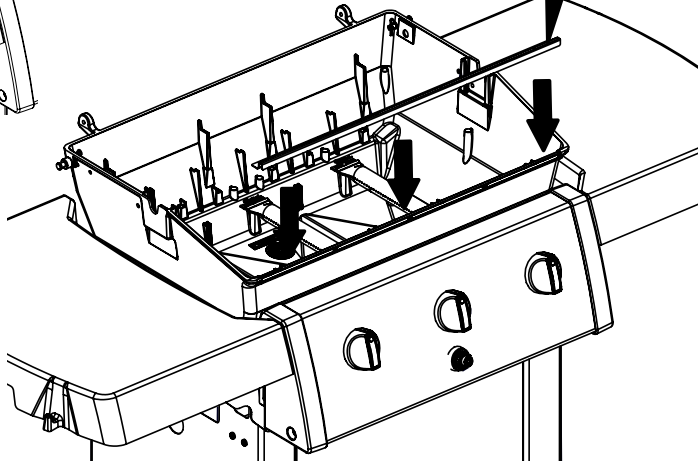
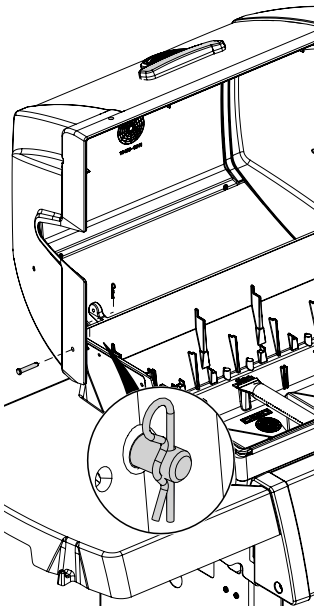
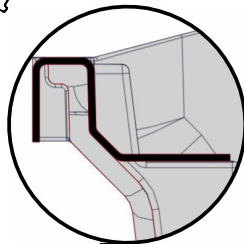
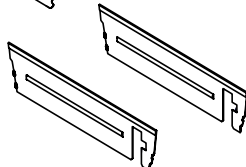
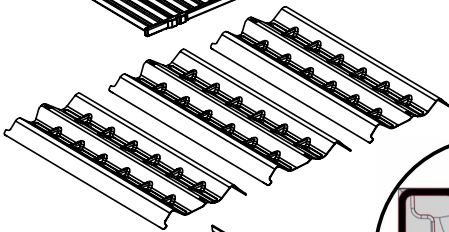
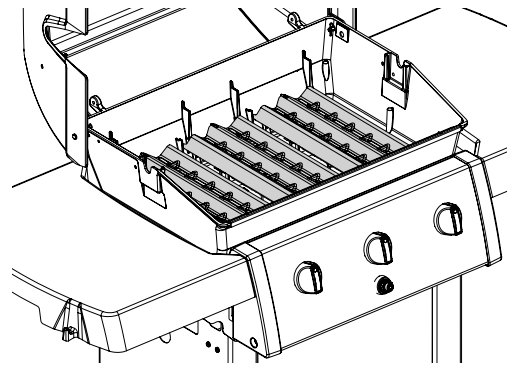
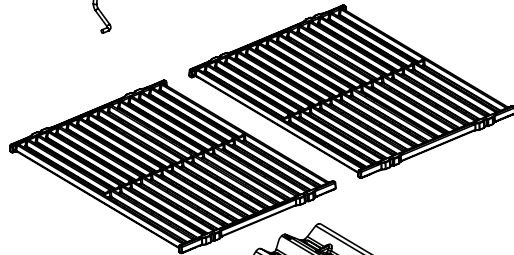
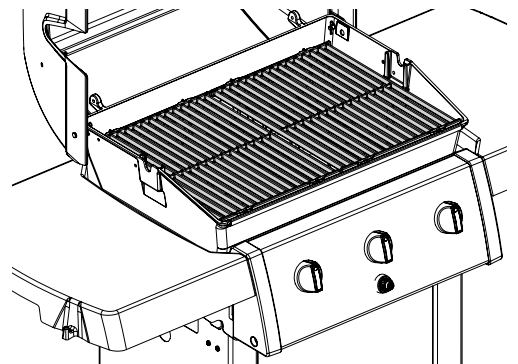
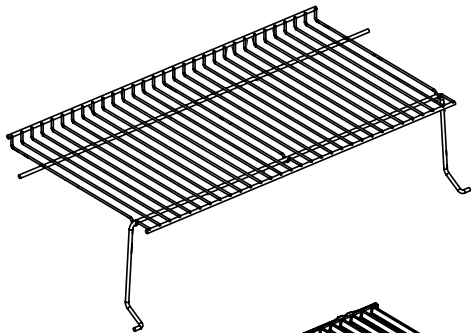
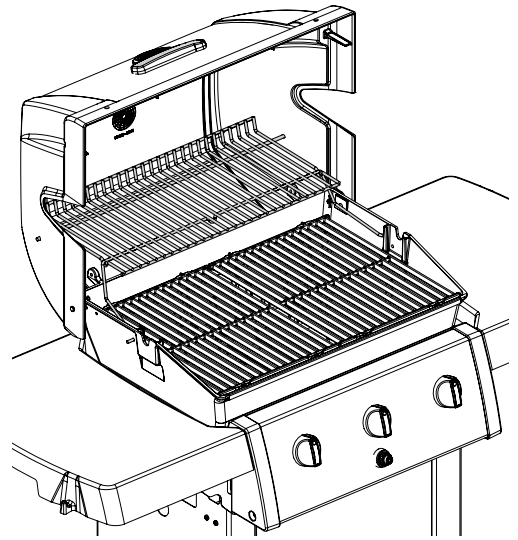
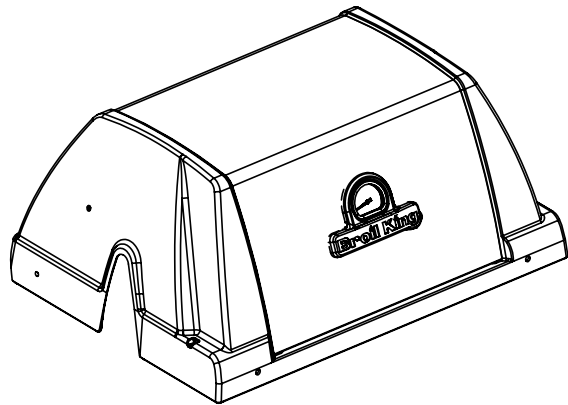
7

(2)

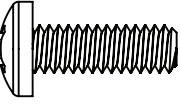


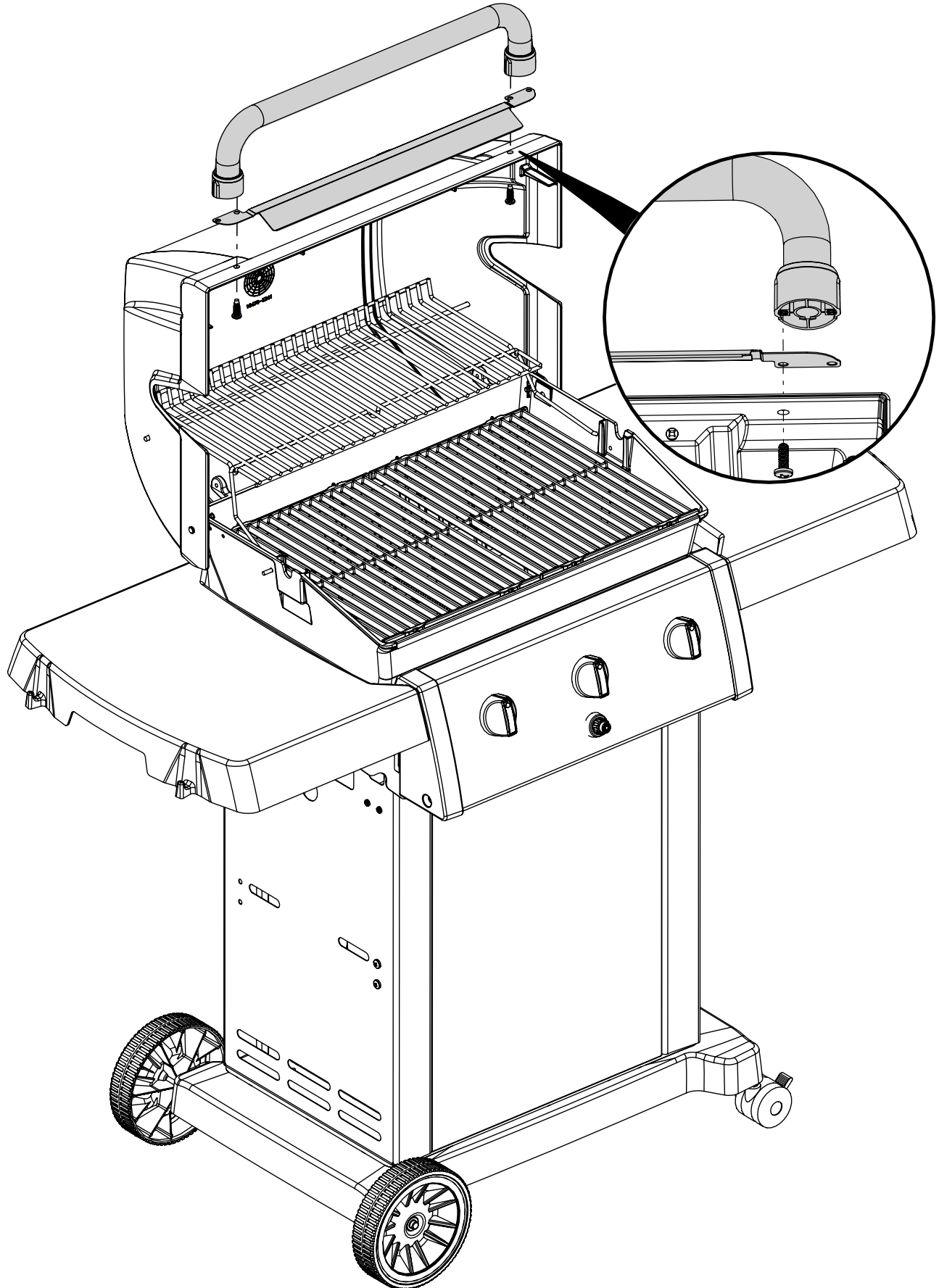
8

(2)  (2) 

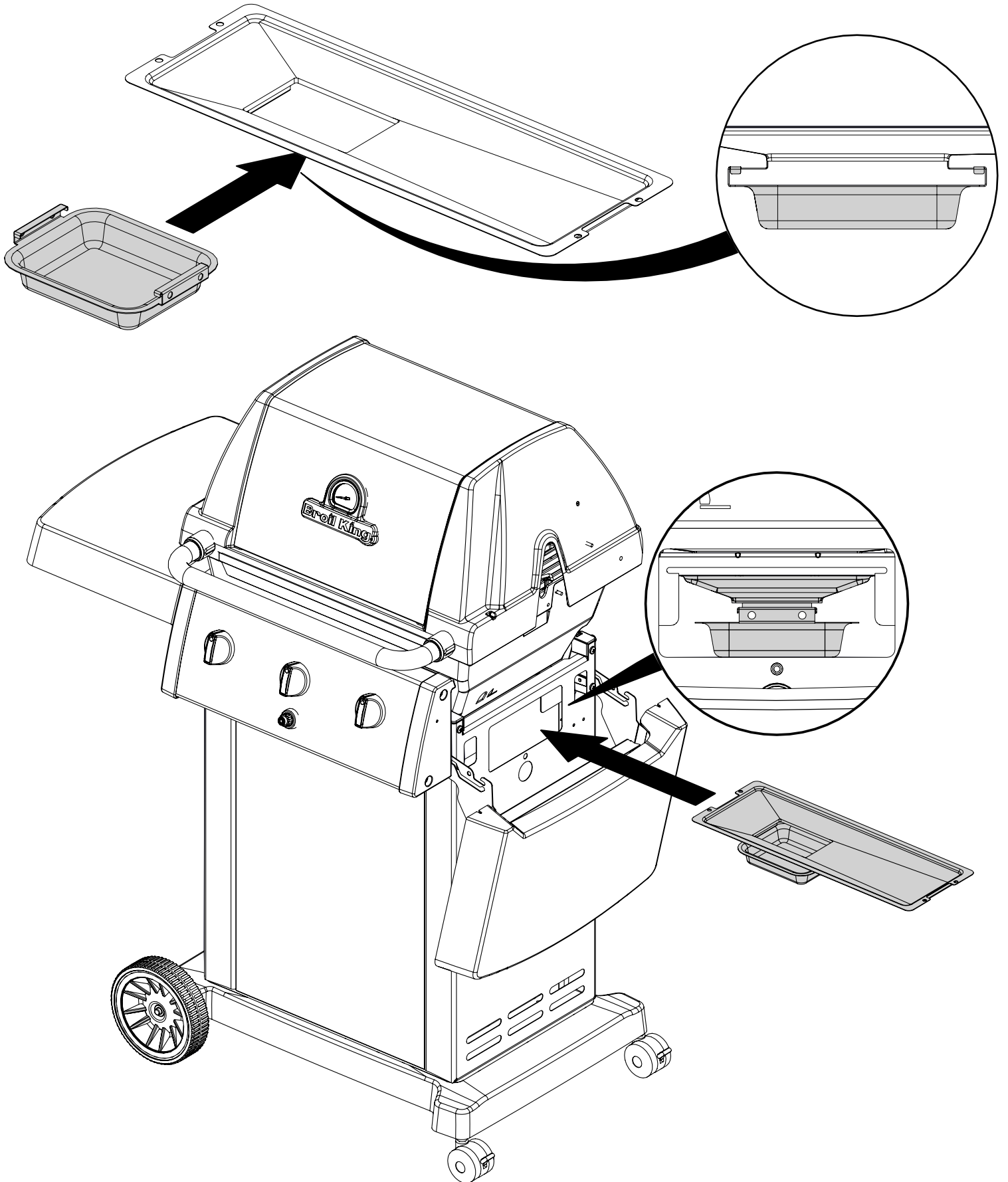


9

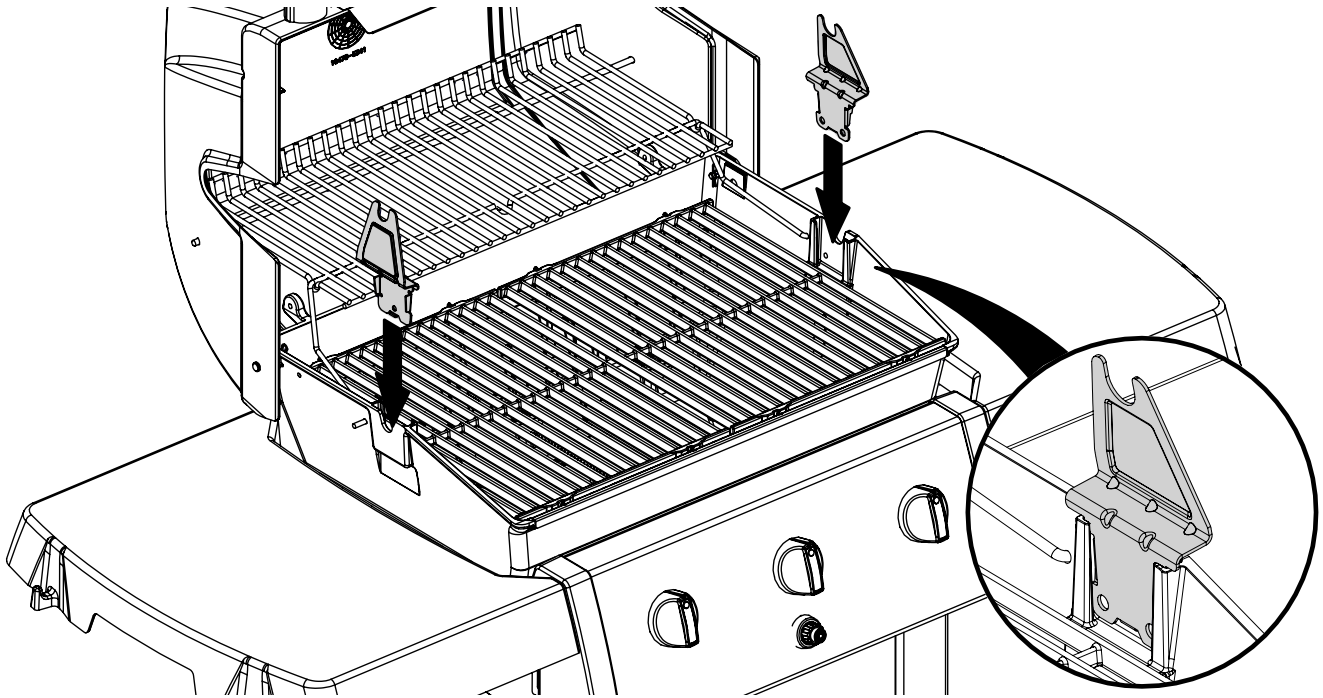
(2) 



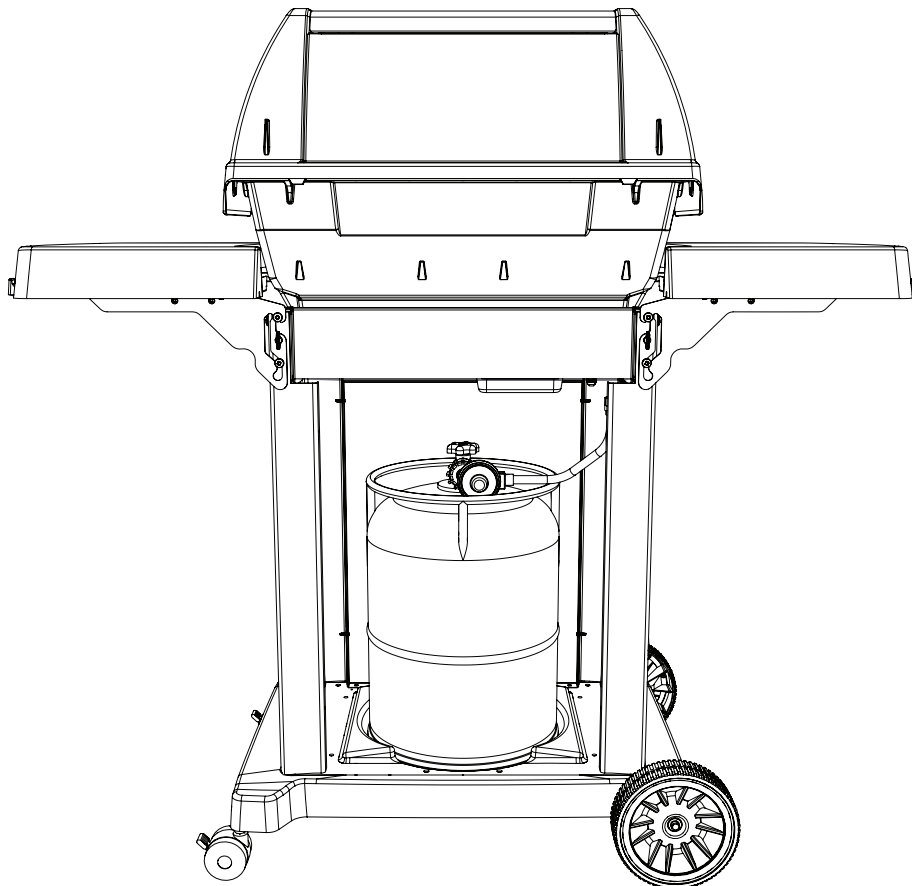
10



11



12



PARTS LIST / LISTE DES PIECES

<u>KEY #</u>	<u>ITEM #</u>	<u>DESCRIPTION</u>	<u>8241-52</u>	<u>8241-53</u>
1	10909-E340	CASTING BOTTOM	1	1
2	10473-E341	CASTING TOP	1	1
3	10081-BK630	NAMEPLATE	1	1
4	10958-E340A	TOP CASTING INSERT	1	1
5	10571-6	HEAT INDICATOR	1	1
6	10240-15	HINGE PIN	2	2
6A	S21237	HINGE SPACER	2	2
7	S21233	HITCH PIN CLIP	2	2
8	Y-11544S	SCREW - BURNER	3	3
8A	S21242	BURNER CLIP	3	3
9	10225-T342	GRID	2	2
10	10222-E400	FLAV-R-WAVE™	3	3
11	10225-E346	GRID - WARMING RACK	1	1
12	10222-E301	DIVIDER	2	2
13	10184-R83	BOSS EXTENSION	1	1
15	52904-E400D	BURNER	3	.
	52904-E400E	BURNER	.	3
17	10342-245	ELECTRONIC IGNITOR	1	1
18	10342-E12	ELECTRODE	2	2
19	52014-903	COLLECTOR BOX	1	1
20	10111-16A	HOSE	1	1
21	29004-012	CONTROL ASSEMBLY	1	.
	29004-013	CONTROL ASSEMBLY	.	1
23	10472-K431	CONTROL KNOB	3	3
30	10194-F138	CONTROL COVER	1	1
31	10711-E34	EDGE CAP	1	1
32	10711-E33	EDGE CAP	1	1
33	10184-E96	RADIATION SHIELD	1	1
34	10184-E97	GREASE RAIL	1	1
35	10184-E501	SUPPORT-CASTING-LEFT	1	1
36	10184-E511	SUPPORT-CASTING-RIGHT	1	1
37	10184-E531	SUPPORT-SIDE SHELF	2	2
37A	10184-E62	SUPPORT-SIDE SHELF	2	2
38	10184-E521	SUPPORT-SIDE SHELF	2	2
38A	10184-E63	SUPPORT-SIDE SHELF	2	2
39	10956-E421	BRACE-REAR	1	1
40	10958-E71	BASE	1	1
41	10956-E311	BRACE-FRONT	1	1
43	10958-E761	SIDE PANEL	2	2
44	10958-E348	FRONT PANEL	1	1
48	10184-E691	BRACKET - SHELF	2	2
50	10711-F55	SHELF	2	2
56	10892-7G	WHEEL	2	2
72	S21420	PUSH NUT	2	2
74	S21084	SCREW #14 X 3/4	12	12
75	24009-12AB	HANDLE	1	1
78	10892-13	CASTOR	2	2
79	Y-11563	SCREW #14-10 X 1 3/4	8	8
80	Y-11546	SCREW 1/4-20 X 5/8	8	8
81	Y-12860	SCREW 1/4-20 X 1 3/8	4	4
82	Y-12673	SHELF - LOCK PIN	2	2
83	Y-12865	SCREW 1/4-20 X 1/2	6	6
84	S15170	AXLE	1	1
86	10184-E09	HEAT SHIELD	1	1
87	Y-11793	NUT 1/4-20	4	4
96	S21125	SCREW #8 X 3/8	4	4
97	Y-11545	SCREW 1/4-20 X 1 3/8	4	4
98	S21124	SCREW #8 X 1/2	19	19
115	Y-29304	SCREW #10-24 X 3/8	2	2
122	57154-901	GREASE TRAY	1	1
123	52009-901	GREASE PAN	1	1
135	Y-12119	BUSHING	2	2
136	10184-E44	ROTISSERIE SHIELD	1	1
138	10184-E43	ROTISSERIE SHIELD	1	1
156	Y-12310	SCREW 1/4-20 X 3/4	2	2

