**A**

1

B

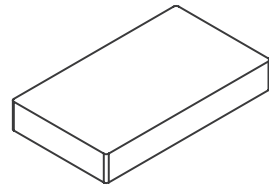
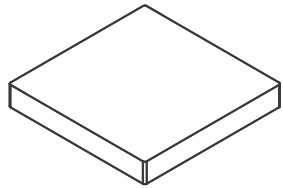
1

C

1

D

1

**E**

1

F

2

1

M8

5

2

M8x30

4

3

M6x30

5

4

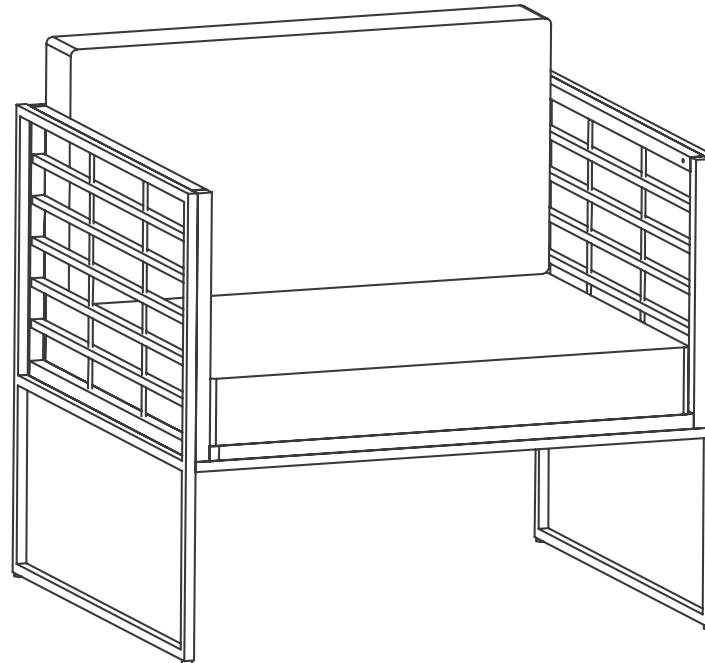
K6

1

**5**

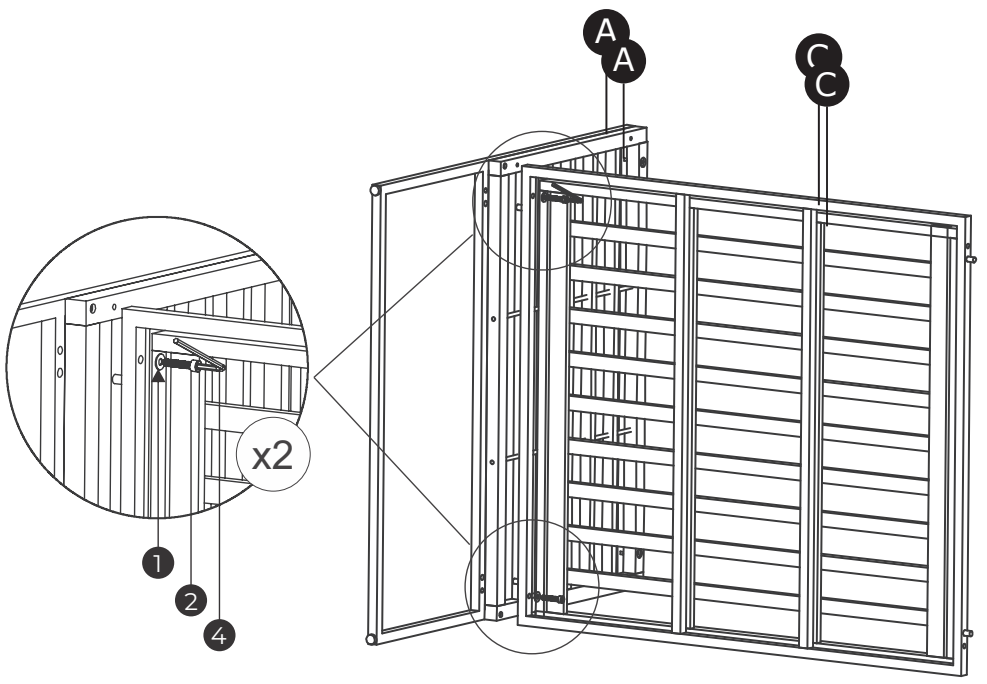
K4

1

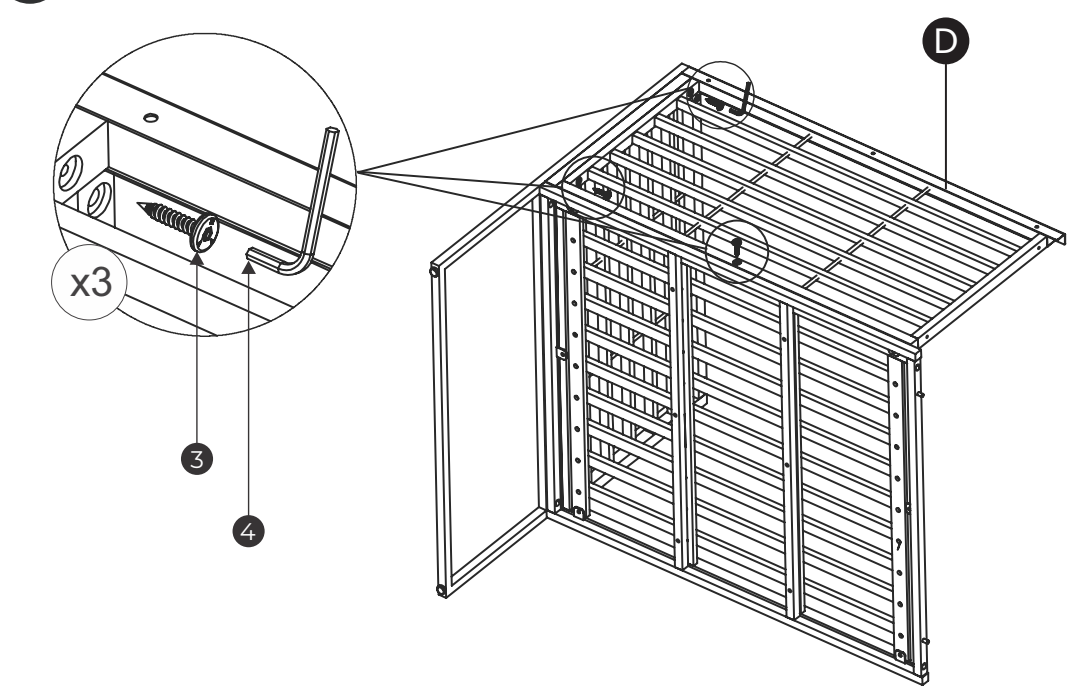


ASSEMBLY INSTRUCTION

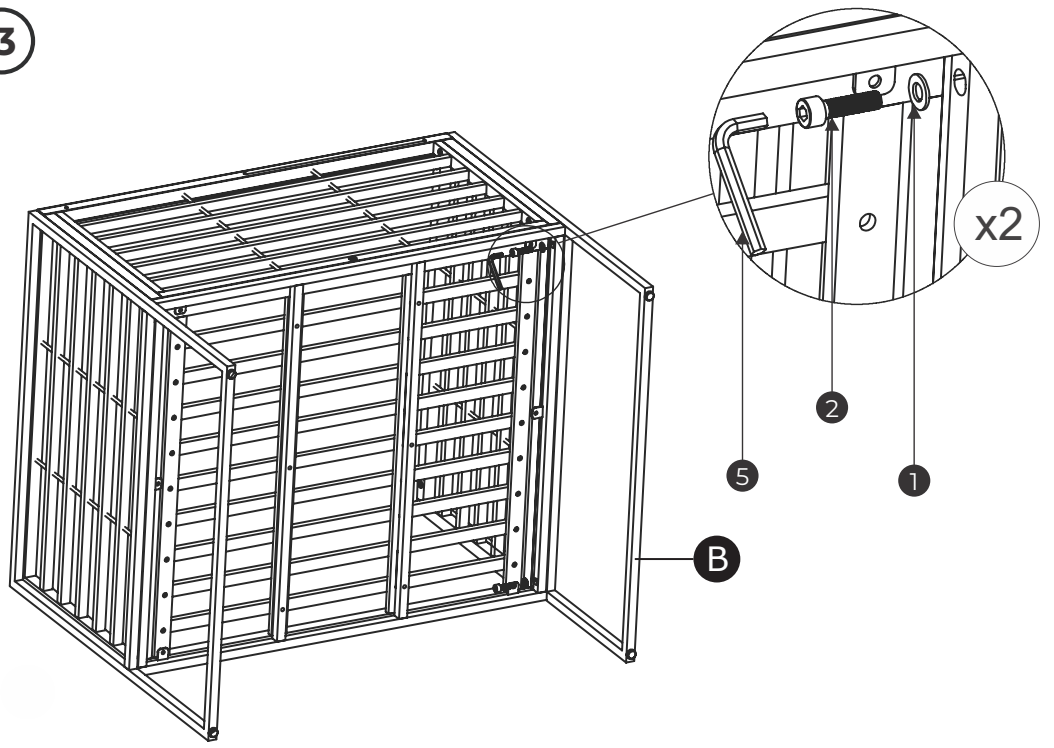
1



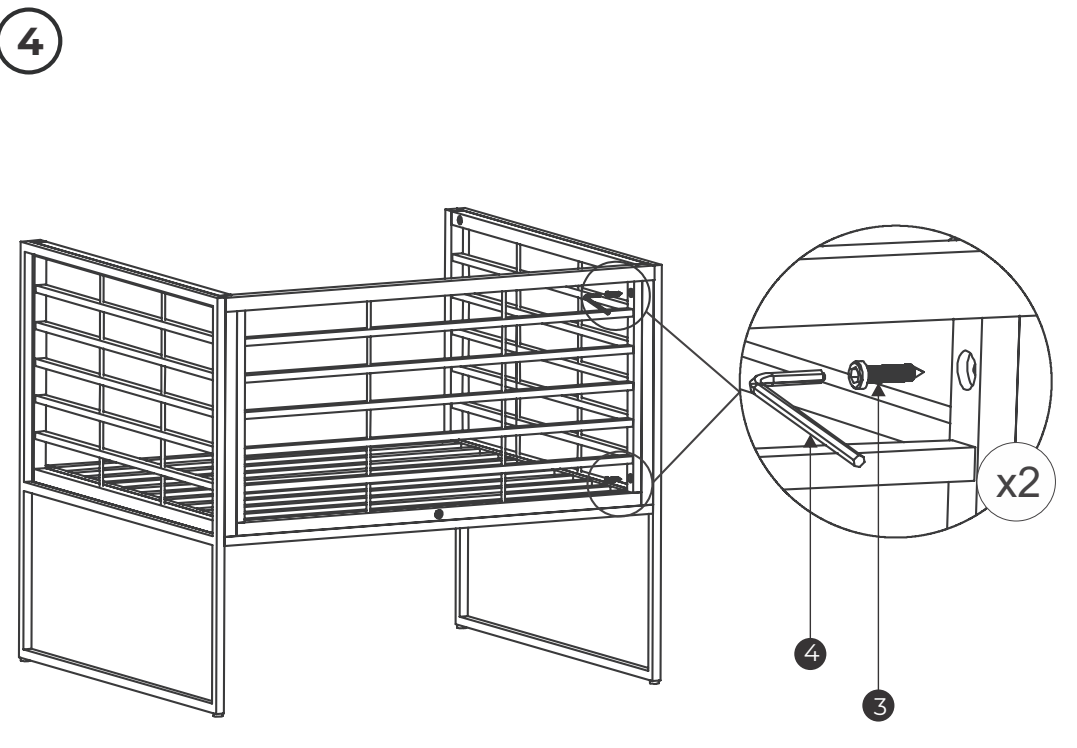
2



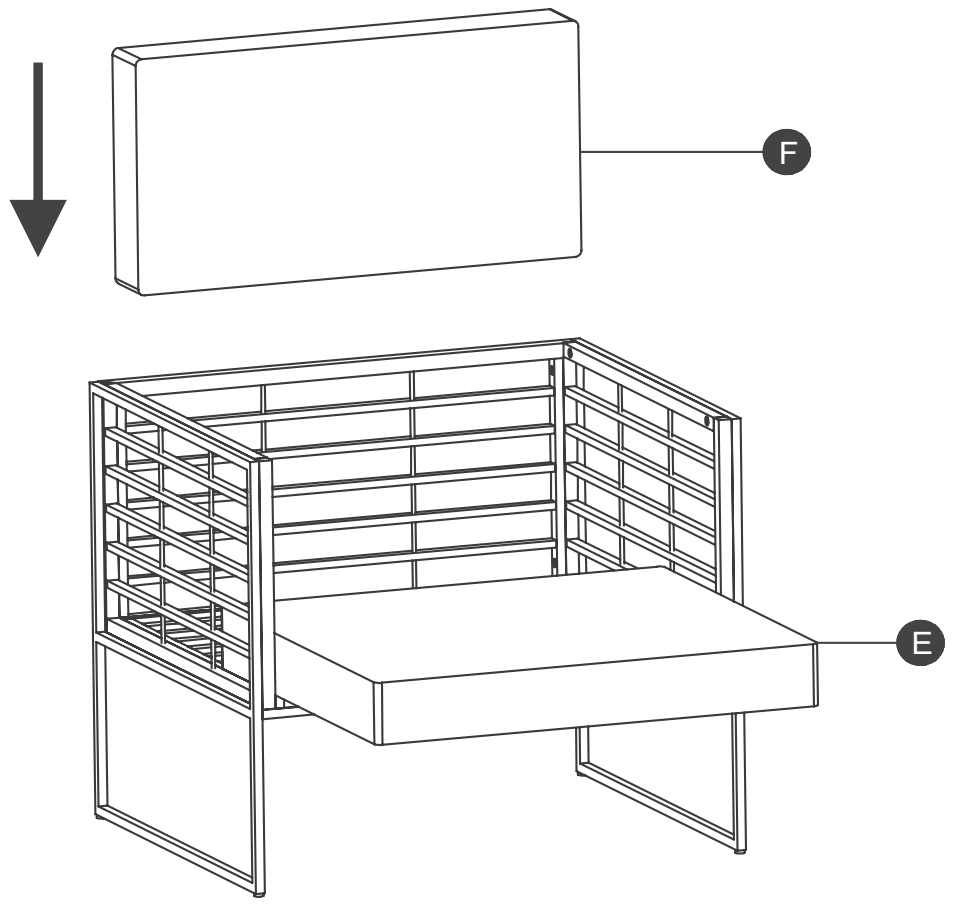
3



4



5



6

