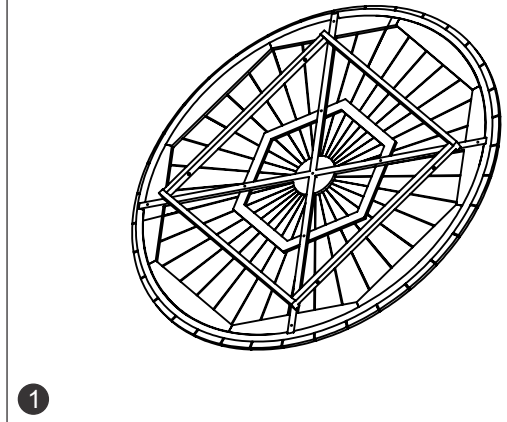
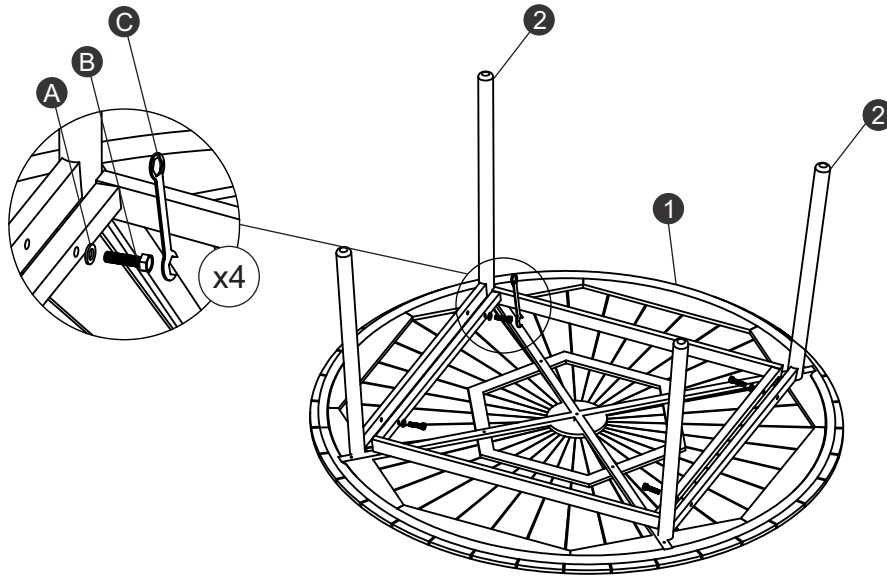
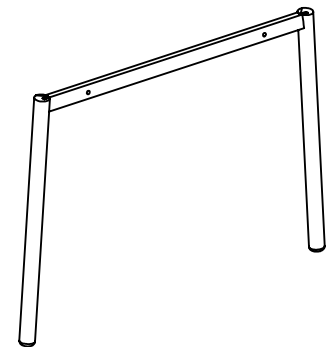


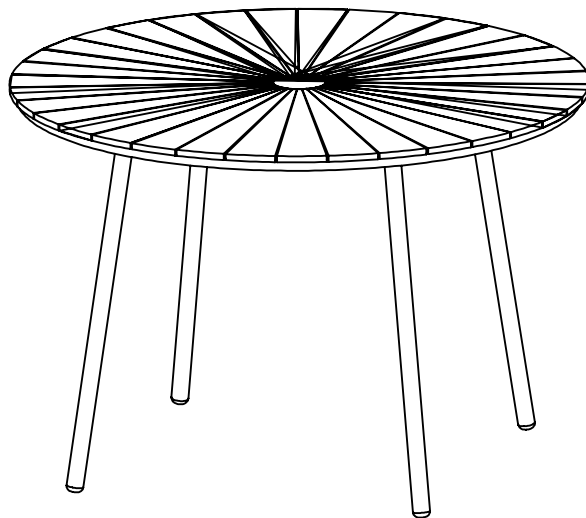
# ASSEMBLY INSTRUCTION



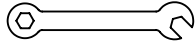


1 Pc



2 Pcs



A		Ø10.5/Ø20x2MM	4 Pcs
B		M10x40MM	4 Pcs
C		K17	1 PC