

Safety Instructions

1, 2, 3, 4, 5, 6, 8, 22, 23, 24, 33, 34



Info

www.paulmann.com

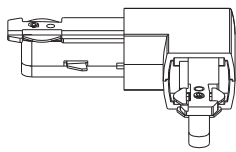
Paulmann Licht GmbH
Quezinger Feld 2
31832 Springe
Germany

www.paulmann.com

Art.-Nr.: 956.46



(+MA 326) PH 09/23



1x



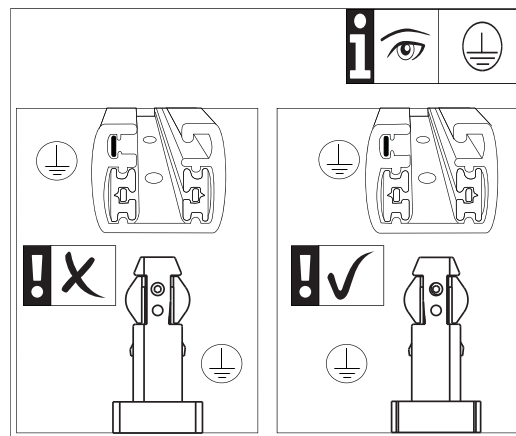
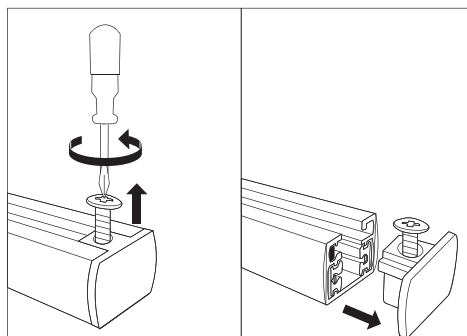
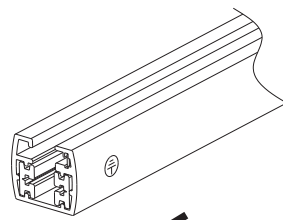
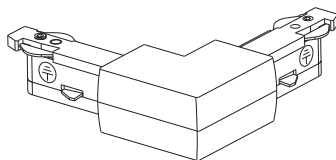
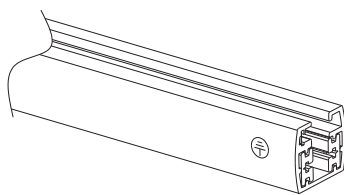
incl.



A



Safety Instructions
Nr. 3, 4, 5



B

